

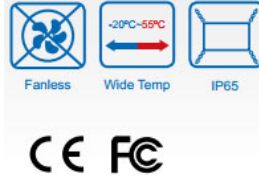
Ruggedized LCD Display

8.4" Wide Panel, 800x600, Full IP65, Anti-Corrosion housing Fanless, DC lockable connector, 400nits (Model: WRD0840T1)

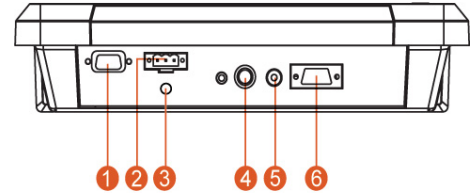


Product Features:

- High Quality 8.4" panel, 800 x 600 resolution, 400 nits
- 5 wire / 4 wire resistive touch screen
- -20 ~ +55°C Wide Range Operating Temperature
- Anti-Corrosion housing with Fanless Design
- IP65 Dust & Waterproof Protection (Except I/O ports)
- 9V ~ 36V DC Isolation Wide Range Power Input
- Compliance With EN50155



I/O View:

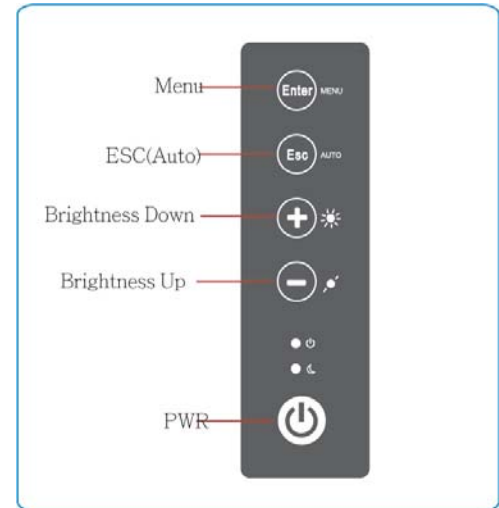


1. RS232 for Touch (Optional)
2. 9-36V DC Terminal Block (Default)
3. DC Lockable Input (Optional)
4. S-Video (Optional)
5. Composite (Optional)
6. VGA

Product Specifications:

Display	Model Name	WRD0840T1
	Size	8.4"
	Resolution (pixels)	800 x 600
	Number of Colors	232, 144 (6bits/color)
	Brightness (cd/m ²)	400
	Contrast Ratio	600:1
	Viewing Angle	-75~75 (H) ; -70~60 (V)
	Touch (optional)	5 wire resistive / 4 wire resistive
Input / Output	1 x RS-232 for Touch (Optional) 1 x 9~36V Terminal Block (Default) 1 x DC Lockable Input (Optional) 1 x S-Video (Optional) 1 x Composite (Optional) 1 x VGA	
Environment	Operating Temperature	-20 ~55°C
	Storage Temperature	-30 ~70°C
	Humidity	10 ~ 95% non-condensing
	Shock	Compliance with MIL810F/EN50155
	Vibration	Compliance with MIL810F/EN50155
	EMC	CE, FCC ClassB
	Reliability	Need to apply 9~36V DC isolation power design
Mechanical	Dimension(W x H x D)	277 x 219.5 x 59.7mm
Packing List	R5W AD Board User's Manual Touch's Driver CD	
Product Optional Items	Mounting Bracket and Kits	One robust bracket with locking handle (Can adjust from -5deg. to 90deg.)
	Video Input	Composite Video, S-Video for optional

Front OSD Control Function:

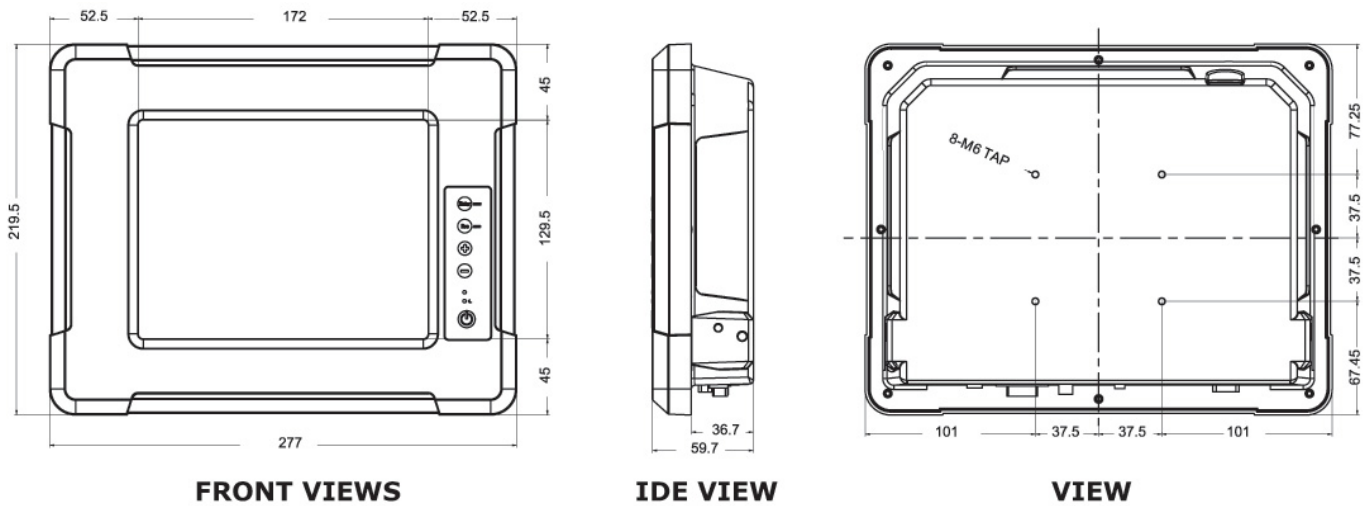


Product Optional Items	Sunlight Readable	Transflective film enhancement for optional
	Anti-reflective Glass	3mm (Replace touch)

Model: WRD0840M2



Mechanical Drawing:



Drawing w / Mounting Bracket:

