

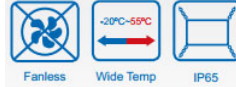
# Ruggedized LCD Display

10.4" Wide Panel, 800 x 600, Full IP65, Anti-Corrosion housing Fanless, DC lockable connector, 350nits (Model: WRD1040P1)

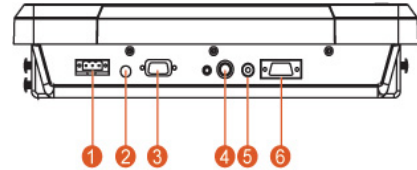


## Product Features:

- High Quality 10.4" panel, 800 x 600 resolution
- 5 Wire resistive touch screen / IR Touch
- -20 ~ +55°C Wide Range Operating Temperature
- Anti-Corrosion housing with Fanless Design
- IP65 Dust & Waterproof Protection (Except I/O ports)
- 9V ~ 36V DC Isolation Wide Range Power Input
- Compliance With EN50155



## I/O View:



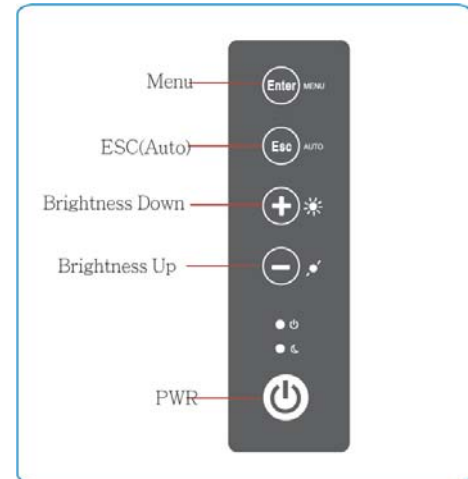
## BOTTOM VIEW

1. 9~36V DC Terminal Block (Default)
2. DC Lockable Input (Optional)
3. RS-232 for Touch (Optional)
4. S-Video (Optional)
5. Composite (Optional)
6. VGA

## Product Specifications:

Display	Model Name	WRD1040P1
	Size	10.4"
	Resolution (pixels)	800 x 600
	Pixel Pitch (mm)	0.264 (H) x 0.264 (V) mm
	Number of Colors	16.2M (6bits+FRC)
	Brightness (cd/m <sup>2</sup> )	400 cd/m <sup>2</sup> (typ.)
	Contrast Ratio	500:1
	Viewing Angle	70~70 (H); -55~65 (V)
	Active Area	211.2(H) x 158.4(V) mm
	Max Colors	16.2M / 262k (8/6bits)
	Touch (optional)	5 wire resistive / IR Touch
	Input / Output	1 x 9~36V DC Terminal Block (Default)
1 x DC Lockable Input (Optional)		
1 x RS-232 for Touch (Optional)		
1 x S-Video (Optional)		
1 x Composite (Optional)		
Environment	Operating Temperature	-20 ~55°C
	Storage Temperature	-30 ~70°C
	Humidity	10 ~ 95% non-condensing
	Shock	Compliance with MIL810F/EN50155
	Vibration	Compliance with MIL810F/EN50155
	EMC	CE, FCC ClassB
	Safety	Compliance with EN50155, MIL-STD 810F810F
	Mechanical	Dimension(W x H x D)
Packing List	R5W AD Board User's Manual Touch's Driver CD	
Product Optional Items	Mounting Bracket and Kits	One robust bracket with locking handle (Can adjust from -5deg. to 90deg.)

## Front OSD Control Function:



Product Optional Items	Video Input	Composite Video, S-Video for optional
	Anti-reflective Glass	3mm (Replace touch)

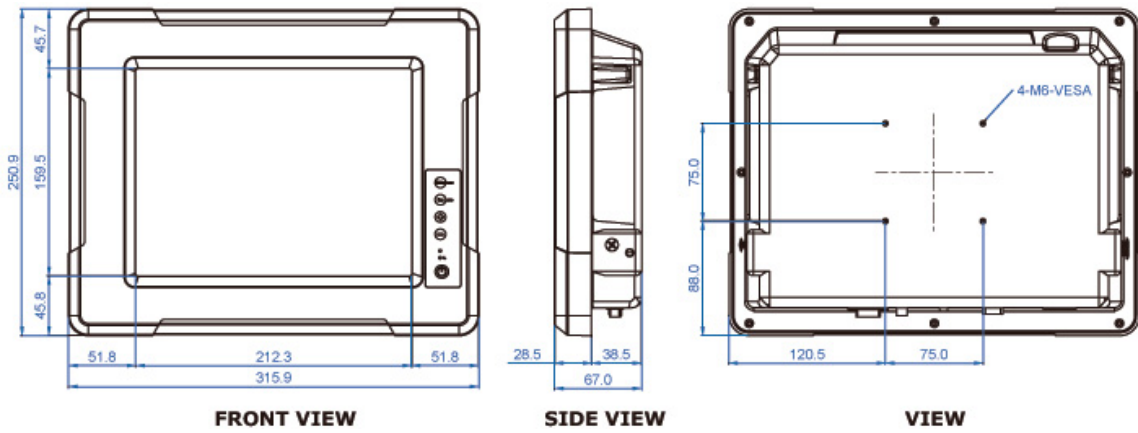
## Model: WRD0840M2



i-Tech Company LLC

TOLL FREE: (888) 483-2418 • EMAIL: [info@itechlcd.com](mailto:info@itechlcd.com) • WEB: [www.iTechLCD.com](http://www.iTechLCD.com)

## Mechanical Drawing:



## Drawing w / Mounting Bracket:

