

RUGGEDIZED PANEL PC

10.1" Rugged Full IP65 Dust/Water Resistant Protection
1024x600, 450nits Panel PC Intel Celeron Bay Trail-M
N2930 1.83GHz with Projected Capacitive
Multi-Touch (P-CAP)

MODEL: WRDPC1010P-J-TF



PRODUCT FEATURES:

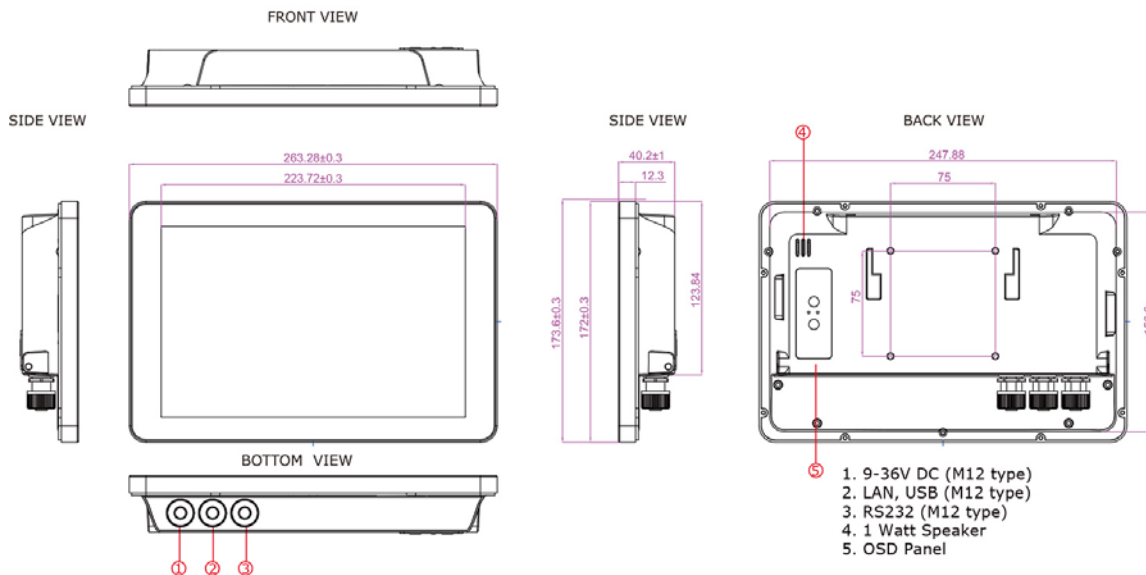
- 10.1" 1024 x 600 Resolution with Projected Capacitive Multi-Touch (P-CAP)screen
- Intel® Celeron® Bay Trail-M N2930 1.83 GHz
- Fanless cooling system and ultra low power consumption
- Edge-to-edge design
- Special M12 Waterproof connectors
- Full IP65
- 1 x LAN, 1 x RS232, 1 x USB

PRODUCT SPECIFICATIONS:

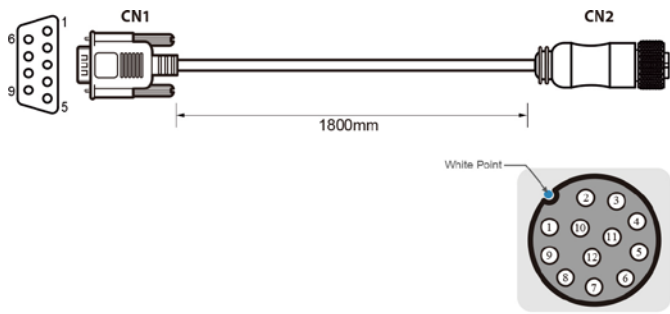
SYSTEM	
Processor	Intel® Celeron® Bay Trail-M N2930 1.83GHz
System Chipset	Intel® ATOM SoC Integrated
System Memory	2GB DDR3L 1600 SODIMM (max. 8GB)
Storage	64GB mSATA SSD
INPUT / OUTPUT	
COM Port	1 x RS232 (M12 type) (Optional 422/485)
USB Port	1 x USB 2.0 (M12 type)
Ethernet	1 x 10/100/1000 LAN (M12 type)
Speaker	1 x 1 Watt Speaker
DISPLAY SPEC	
Size/Type	10.1" TFT (Wide screen)
Resolutions	1024 x 600
Brightness	420 cd/m2 (typ.) optional for High Brightness 800 cd/m2 (typ.)
Contrast Ratio	:800 : 1 (typ.)
Viewing Angle	-75~80(H);-80~80(V)
Max Colors	16.7M
Touch	Projective-Capacitive Touch
POWER SPECIFICATIONS	
Power Input	9-36V DC (M12 type)
Power Consumption	20W

SOFTWARE SUPPORT	
Watchdog SDK	
MECHANICAL SPECIFICATION	
Cooling System	Fanless design
Mounting	VESA Mount(75x75mm), Panel Mount
Dimension (W x H x D)	263.28 x 172 x 40.2 (mm)
ENVIRONMENT CONSIDERATIONS	
Operating Temperature	-15 deg. C to 55 deg. C
Operating Humidity	10% to 95% (non-condensing)
IP Rating	Full IP65
Shock Operating	40g for 11ms
Vibration Operating	1.48/1.98/2.24 g rms for XYZ/ 5-500Hz
OPERATING SYSTEM	
Operating System	Windows 10 IoT Enterprise Windows Embedded 8.1 Industry Pro Windows Embedded Standard 7
SECURITY SUPPORT	
Trusted Platform Module (TPM 1.2)	
CERTIFICATIONS & STANDARDS	
Compliant with MIL-STD-810F/G for vibration / shock, CE, FCC	

MECHANICAL DRAWING:

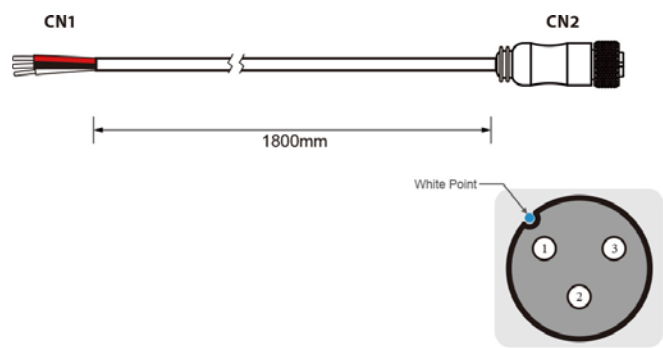


RS-232 to M12 Cable



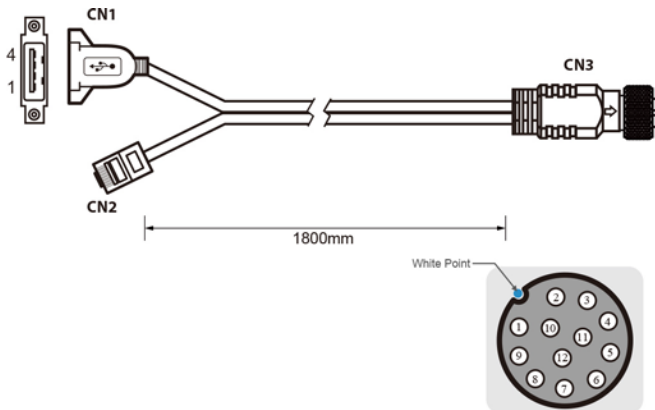
Pin No.	Symbols	Color		Pin No.	Symbols	Color
CN1-1	DCD	Green	↔	CN2-1	DCD	Green
CN1-6	DSR	Brown	↔	CN2-2	DSR	Brown
CN1-2	RXD	Red	↔	CN2-3	RXD	Red
CN1-7	RTS	Orange	↔	CN2-4	RTS	Orange
CN1-3	TXD	Blue	↔	CN2-5	TXD	Blue
CN1-8	CTS	White	↔	CN2-6	CTS	White
CN1-4	DTR	Purple	↔	CN2-7	DTR	Purple
CN1-9	RI	Yellow	↔	CN2-8	RI	Yellow
CN1-5	GND	Black	↔	CN2-9	GND	Black

DC Power to M12 Cable



Pin No.	Symbols	Color		Pin No.	Symbols	Color
CN1-1	VCC+	Red	↔	CN2-1	VCC+	Red
CN1-2	GND	Black	↔	CN2-2	GND	Black
CN1-3	VCC-	White	↔	CN2-3	VCC-	White

USB 2.0 & GIGA LAN to M12 Cable



Pin No.	Symbols	Color		Pin No.	Symbols	Color
CN3-1	VCC	RED	↔	CN1-1	VCC	RED
CN3-2	D-	WHITE	↔	CN1-2	D-	WHITE
CN3-3	D+	GREEN	↔	CN1-3	D+	GREEN
CN3-4	GND	BLACK	↔	CN1-4	GND	BLACK
CN3-5	White/Orange		↔	CN2-1	White/Orange	Twisted pairs
CN3-6	Orange		↔	CN2-2	Orange	
CN3-7	White/Green		↔	CN2-3	White/Green	Twisted pairs
CN3-8	Blue		↔	CN2-4	Blue	
CN3-9	White/Blue		↔	CN2-5	White/Blue	Twisted pairs
CN3-10	Green		↔	CN2-6	Green	
CN3-11	White/Brown		↔	CN2-7	White/Brown	Twisted pairs
CN3-12	Brown		↔	CN2-8	Brown	