

RUGGED TABLE PC

10.1" Rugged IP65 Tablet PC 1920x1200 IPS LED
with Intel Core i5 Kaby Lake and P-Cap Touch

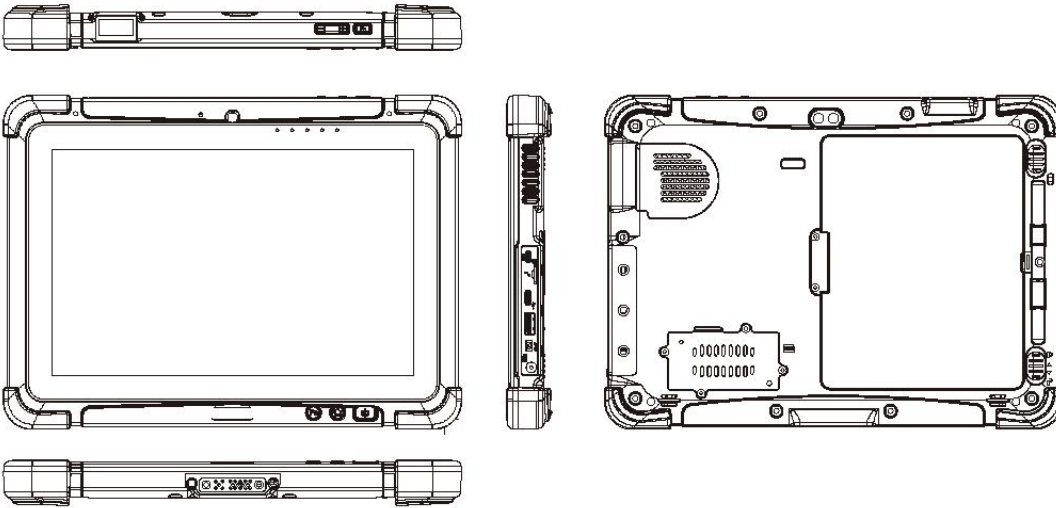
MODEL: WRTCW1010-i5



FEATURES:

- 10.1" 1920x1200 IPS LED Panel with P-Cap Touch
- Powerful performance with Intel® Core i5 Kaby Lake Processor
- IP65 water and dust proof
- Optional Barcode or RFID Reader
- Dual Camera Design: 8MP Main camera / 2MP Webcam
- Hot-Swappable Battery Design / Optional high capacity battery pack
- 2 Programmable function keys
- With Optical Bonding for Sunlight Readability

DRAWINGS



Do Not Expose the Battery Pack to Excessive Heat, or Extreme Heat (Near Fire, in Direct Sunlight for example)
Do not expose bare skin to this product when handling this unit in extreme hot or cold environments

Caution

1. Total usable memory will be less depending upon actual system configuration.
2. TPM 2.0 available upon request.
3. SOTI is available upon request.
4. Length measurements do not include protrusions. Weight varies with options and active pen.
5. The drop test with high-capacity battery must come with hand strap.
6. Measured at dimming LCD brightness. Varies depending on the usage conditions, or when an external device is attached.
7. Accessories and Integrated Options may vary depending on your configuration.
8. This is a simplified drawing and some components are not marked in detail.



SYSTEM SPECIFICATION:

Display Specification	
Size	10.1-inch IPS display with LED Backlight
Resolution	1920 x 1200 WUXGA
Brightness	8-800 nit With Direct optical bonding for sunlight readable
Touch	Multi-touch projected capacitive
Contrast Ratio	800:1
Viewing angle	85/85/85/85
Technology	<ul style="list-style-type: none"> • Anti reflective and anti-glare technology • Ambient light sensor, e-compass, avro, acceleration sensors • Automatic screen rotation • Intel HD Graphics 520 (built-in CPU) video controller
System Specification	
Processor	Intel Core i5-7200U Kaby lake 2.5GHz (turbo to 3.1GHz)
System Memory	4GB DDR4 SDRAM (up to 8GB)
Storage	64GB solid state drive (SSD) Optional 512GB, up to 128GB additional storage with optional microSDXC card slot
Operating system	Windows 10 IoT Enterprise
Wireless Communication	
WLAN	802.11 a/b/g/n/ac
Bluetooth	Bluetooth 4.2
GNSS	GPS, GLONASS, BeiDou
WWAN	<ul style="list-style-type: none"> • Optional 4G (LTE, HSPA+, GSM/GPRS/EDGE, EV-DO Rev A, 1xRTT) • Optional 3G (HSPA+, GSM/GPRS/EDGE)
Interface	
Docking Connector	1 x 19-pin docking connector
HDMI	1 x micro HDMI
USB	1 x USB3.0 (Type A), 1 x USB3.0 (Type C)
Power input	1 x Power Jack
Micro SD	1 x micro SD Slot
Audio connector	1 x Audio combo connector (Mic in or line out)
Keyboard and Input	
Touch	<ul style="list-style-type: none"> • 10-point multi touch, support Rain, Stylus, Glove Modes • On-screen QWERTY keyboard
Button	1 x power, 1 x Home, 2 x volume key 2 x function key (Programmable function key configured by Hottab Utility)
LED Indicators	Power / Battery / HDD / RF
Audio	
Microphone	Built-in dual Digital Mic with Noise Cancellation
Speaker	2 x 1 watt speaker
Cameras	
Web camera	2MP webcam
Rear camera	8MP rear camera with autofocus and LED light
Data Capture	
Barcode	Optional 1D/2D Barcode Reader
RFID	Optional HF RFID reader 13.56 MHz
Security Function	
Security	<ul style="list-style-type: none"> • Password security for user and hard disk lock • Trusted Platform Module (TPM) V2.0
Mobile Device Mgmt	SOTI Mobicontrol compatible

Mechanical and Environment	
Dimension (W x L x H)	271.8 x 197.2 x 21 mm (10.7 x 7.76 x 0.83 inches)
Weight	1.25 kg (2.7 lbs) with standard battery, 1.45 kg (3.2 lbs) with optional high capacity battery
Operating Temperature	-20°C to 60°C (AC mode), -10°C to 50°C (Battery mode)
Storage Temperature	-30°C to 70°C (-22°F to 158°F)
Humidity	10% to 90% RH, non-condensing
IP Proof	IP65 certified, Dustproof and waterproof
Shock	MIL-STD-810G Method 516.6 Procedure
Vibration	MIL-STD-810G Method 514.6 Procedure
Drop	MIL-STD-810G Method 516.6, 4 ft to concrete
Power Management	
Power Input	12-19V DC
Battery	7.4V, 5140 mAh Li-Polymer Battery (2S1P) 7.4V, 10280 mAh Li-Polymer Battery (2S2P, optional)
Battery Operating Time	Std. Battery: 8 hours High Capacity Battery: 16 hours
Adapter	100-240V, 50-60Hz, 19V DC
Accessories	
Standard Accessories	
Adapter	922D065W19V1
Capacitive Stylus	980000000415
Standard Battery	98K000A0003R
Optional Accessories	
Desk Dock	98DT00A0000E
Vehicle Dock (without VGA output)	98DT00A0000F
Vehicle Cradle	98DT00A00010
Vehicle Charger	9226065W19V0
High Capacity Battery	98K000A0003P
Battery Charger	98KT00A0000F
Hand Strap	98K000A0003J
Shoulder Strap	98K000A0003Q
Carry Bag	98000000003J
Micro HDMI Cable	9491191190K1
Active Pen	98K000A0007D
USB-C to Ethernet Adapter	TBD
USB-C to RS232 Adapter	TBD
USB-C to VGA Adapter	TBD
USB-C to USB-A Hub	TBD