

Intel Atom N270 1.6GHz CPU, Mini-ITX Mainboard (Model: A270-160)



Features:

Intel ATOM N270 1.6GHz Processor
 Intel 945GSE + ICH7-M Chipset
 Intel Graphic Media Accelerator 950
 1x200 pin SO-DIMM up to 2GB DDR2 533 SDRAM
 1xVGA, 1xCF, 1xPCI, 1xMini-PCIe
 4xCOM, 6xUSB2.0, 2xSATA, 1xEIDE, 2xGBe_LAN

System

CPU	Supports Intel® FCBGA8 45nm Atom™ N270 Processor
FSB	533 MHz
BIOS	Award 16 Mb SPI BIOS
System Chipset	Intel® 945GSE + ICH7-M Chipset
I/O Chip	Winbond W83627DHG-A
System Memory	Two 200-pin SO-DIMMs up to 2GB single Channel DDR2 533 SDRAM , non-ECC
SSD	One CompactFlash Type I/II socket
Watchdog Timer	Reset: 1 sec.~255 min. and 1 sec. or 1 min./step
H/W Status Monitor	Monitoring temperatures, voltages, and cooling fan status. Auto throttling control when CPU overheats
Expansion	1 x PCI (PCI Rev. 2.3 compliant) supports 3 PCI master
S3/S4	Yes
TPM	TPM1.2 (Infineon TPM chip 9635 TT 1.2 on board)LAN (PME / RPL)
Wake up on Lan or Ring	YES(1 x fan connector)
DIO	8-bit General Purpost I/O for DI and DO

Display

Chipset	Intel® 945GSE GMCH integrated Graphics Media Accelerator 950
Display Memory	Intel® DVMT 3.0 supports 224 MB video memory
Max Resolution	CRT: Support up to QXGA (2048 x 1536), LVDS: Support up to UXGA
Dual Display	dual view, 2-CH LVDS, DVI
VGA	Yes , on board GMA 950,Support for CRT resolutions up to QXGA
LVDS	Support for dual-channel LVDS resolutions up to UXGA 18bit Single/Dual channel
LVDS Backlight power connector	Ye s
DVI	Yes,DVI-I

I/O

Rear I/O	1 x PS/2 Keyboard
	1 x PS/2 Mouse
	1 x VGA port
	2 x COM Port
	2 x RJ45 port
Internal Connector	4 x USB 2.0/1.1
	1 x Audio Jack (3 ports)
	2 x power COM port
	1 x 2x10-pin ATX Power connector
	1 x CPU Fan connector
	1 x Power Fan connector
	1 x USB connectors support additional 2 USB
	1 x LVDS connector
	1 x LVDS inverter connector
	1 x IDE connector
	2 x SATA connectors
	1 x digital IO header
	1 x Front panel header
	1 x S/PDIF Out Header
	1 x Audio amplifier connector
1 x Front Audio connector 1 x Mini-PCI	

Audio

Audio Codec	Realtek® ALC888, 5.1 HD Audio
Audio Interface	Mic in, Line in, Line out
Audio Amplifier (W)	TPA3005D2 Stereo 6Watt

Ethernet

LAN 1	Realtek RTL8111C Gigabit LAN
LAN 2	Realtek RTL8111C Gigabit LAN

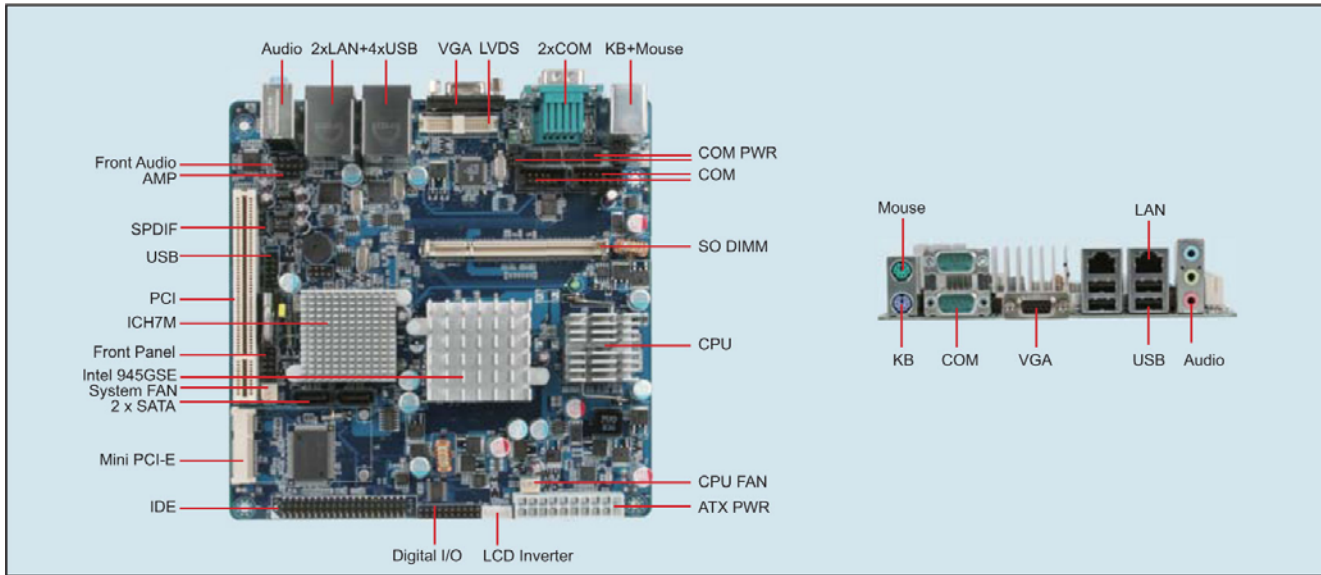
Power requirement (Power On, ATOM N270 1.6GHz Processor, 2GB DDR2)

+3.3V	+5.0V	+12V	-12V	+5Vsb
1.21A	1.96A	0.19A	0.06A	0.28A

Mechanical & Environment

Power Connector Type	ATX
Operating Temperature	0 ~ 60°C
Operating Humidity	0% ~ 90% relative humidity, Non-condensing
Dimension	6.69" x 6.69" (170mm x 170mm)

Connectors



Block Diagram

