

Model: ECH0846-SIP-PCT

Rugged Completely Sealed IP66/NEMA4X Stainless Steel Chassis/Surface Mount, 8.4" LCD monitor, 800x600, 350 nits, without speaker with Projective Capacitive Touch (1-2mm) USB Controller

ECHXXX-SIP Series: Rugged Completely Sealed IP66/NEMA4X Stainless Steel Chassis/Surface Mount (Optional Integrated All-in-One PC Fanless and Touchscreen Solution)

Features Highlights:



Water Proof Solution, Full IP/NEMA4 Rating front and back
Stainless and Aluminum Housing Chassis Design

Glass Protective Glass at front

Optional High Brightness and Touch screen



- IP65 Water and Dust proof connection for a higher protection
- All Connectors are facing back with IP66 water proof connectors

Stainless Steel Chassis LCD Monitor

Photos:

Model: ECH1700-SIP



Features:

- Modularize mechanical design provides flexible product configuration and easy maintenance
- Optional build-in touch screen for interactive application
- Available with auto-brightness sensor offers application in day and night
- Stainless Steel Enclosure
- Complete custom design/solution for OEM customers

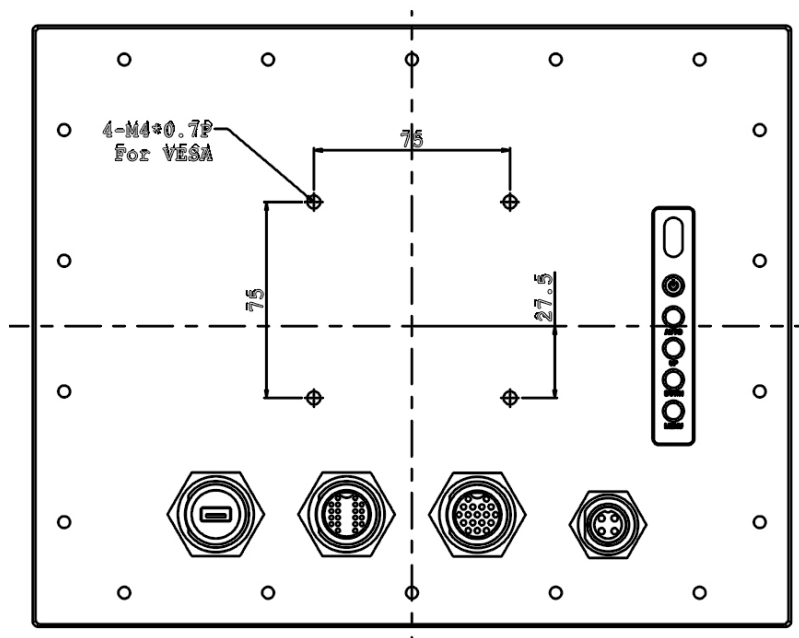
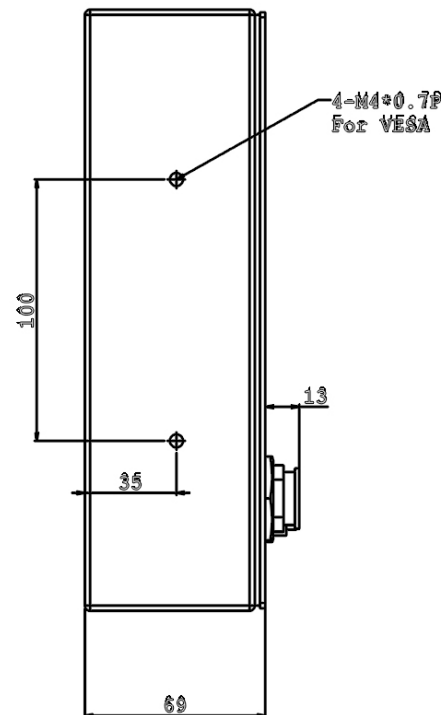
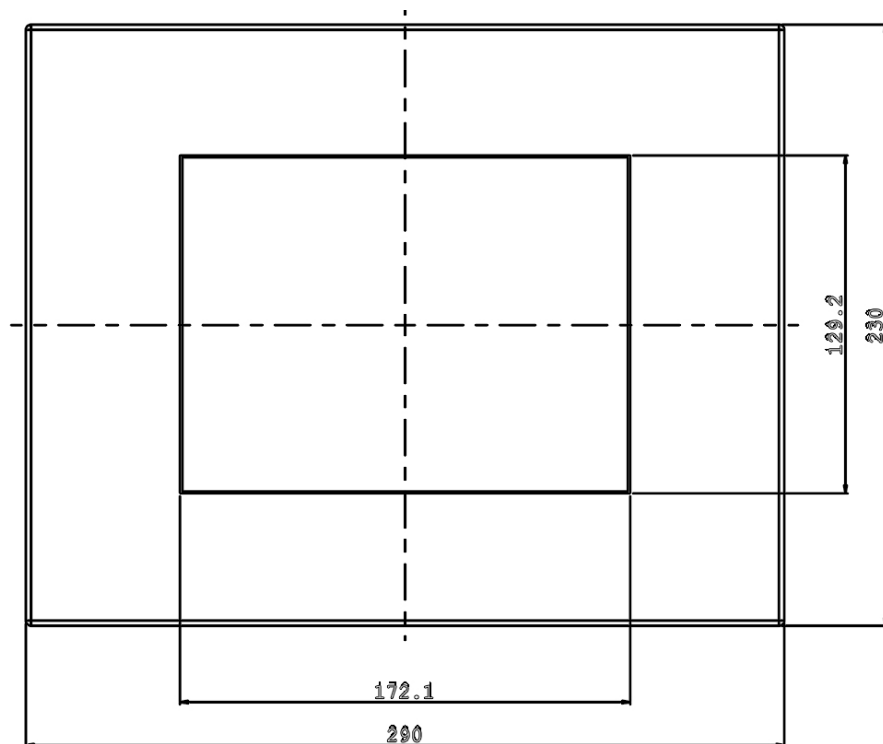
Specification:

| | | | |
|----------------------------|--|---|---|
| Panel | Cell Type / Glass Surface | TFT LCD / Black Anti-Glare, low reflection coating | |
| | Aspect Ratio / Size | 4 : 3 / 8.4" viewable diagonal area | |
| | Active Area / Pixel Pitch | 170.4(H) x 127.8(V) mm / 0.213(H) x 0.213(V) mm | |
| | Native Resolution / Colors | 800(H) x 600(V) / 262 K | |
| | Brightness / Contrast | 350 cd/m ² (typ) / 600 : 1 | |
| | Response Time | ≤ 30 ms | |
| | Viewing Angle (typical) | H. 160o (- 80o ~ + 80o) , V. 140o(- 70o ~ + 70o) | |
| | Light Source | LED backlight, Long life, 35,000 hrs (typ) | |
| Input Sources | PC System | Signal | Analog RGB (0.7/1.0 V _{p-p} , 75 ohms) |
| | | Sync | Separate Sync, Composite Sync, Sync On Green |
| | | Frequency | F _h : 30 - 82Khz , F _v : 50 -75Hz |
| | Audio System | N / A | |
| Input Terminals | 1 x VGA (15 Pin Female D-Sub) , 1 x PC Audio (Stereo Headphone Jack) , 1 x DC Power Plug | | |
| Convenient Features | Auto Calibration , Back Light Adjustment , Plug&Play (VESA DDC/CI, DDC 2B) | | |
| | OSD Multi-Languages , Wall Mount Ready (VESA Dimension - please refer to Drawing) | | |
| Power | 12V DC in | | |
| Power Consumption | Operation / Power Saving | 8.68 watt , < 2 watt (Support DPMS) | |
| Operating Condition | Temperature / Humidity | 0°C ~ 50°C (32°F ~ 122°F) , 10% ~ 90% (no condensation) | |
| Storage Condition | Temperature / Humidity | - 20°C ~ 60°C (- 4°F ~ 140°F) , 10% ~ 90% (no condensation) | |
| Certification | FCC , CE | | |
| Dimensions | Physical | Please refer to Drawing | |
| | Carton | W x H x D = TBD | |
| Weight | N.W. / G.W. | 2.5 Kgs / 3.5 Kgs | |
| Container Loaded | 20ft / 40ft / 40ft HQ | TBD (Sets , By pallet) | |

| Options | Touch | Video/TV | Enhanced Panel | Others |
|---------|------------------|----------------------|--------------------------|------------------------------|
| | Resistive touch | SV + AV | Panel with LED backlight | Digital Signage(Stand alone) |
| | Capacitive touch | SV + AV + AV_Looping | High brightness panel | Networking Digital Signage |
| | SAW touch | SV + AV + TV | Wide Temperature | Motion Sensor |
| | Infrared touch | | Sunlight Readable | Light Sensor |
| | Protected glass | | | Auto-Dimming |

Stainless Steel Chassis LCD Monitor

Mechanical Drawing:

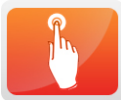


LCD Options:



LED Backlight Options

Introducing LED backlight options for monitors for energy efficiency and a brighter screen.



TouchScreen Options

Our LCD has a wide selection of touchscreen technology to choose which suits for you.

| | Four-Wire Resistive | Five-Wire Resistive | Capacitive |
|------------------------|--|--|--|
| PRODUCT SIZE | 1.7" - 24" | 10.4" - 24" | 12" - 24" |
| TOUCH LIFE | 1 - 2 million touches | 30 - 35 million touches | 100 million touches |
| SCRATCH RESISTANCE | Hard Coated | Hard Coated | Hard Coated (SiO ₂) |
| CONTAMINANT RESISTANCE | Resists moisture, dirt, vinegar, ammonia based food products and cleansers | Resists moisture, dirt, vinegar, ammonia based food products and cleansers | Resists moisture, dirt, vinegar, ammonia based food products and cleansers |
| INPUT METHOD | Finger, Gloved Hand, Stylus | Finger, Gloved Hand, Stylus | Finger |
| CONTROLLER | USB, RS232 | USB, RS232 | USB, RS232 |



VIDEO Input Options:

For Video inputs options:

DVI, DVI+HDMI, SVideo+AV, SVideo+AV+DVI, AV+Looping, DVI+AV+Looping, HD-SDI, BNC(PAL/NTSC)



Optical Bonding Options

- Optical Bonding provides the best reduction of ambient light washout of any commercially available enhancement technology.
- Optical Bonding has a lower cost than most other competing technologies.
- Optical Bonding offers superior ruggedization, enhancing the display durability under vibration, shock and other environmental extremes.



RS-232 Remote Control Options

Remote Control Protocol: Command Code to set system



9-36V DC Input Options

iTech offers a selection of DC input from 9V to 36V



Light Sensor and Motion Sensor Options

iTech LCD offers Light and Motion Sensor

Privacy Filter

Front Glass Options:

- Anti Reflective AR Glass 3mm
- Anti Reflective AR Glass 6mm Vandal-Resistance
- Anti Reflective AR Glass 8mm Vandal-Resistance
- Anti Glare AG Glass 3mm