

Rugged Completely Sealed IP66/NEMA4X Stainless Steel Chassis/Surface Mount, Water/Dust proof

8.4" LCD monitor, 800 x 600, 350 nits, LED BL, without
speaker VGA input, Rear OSD, VESA Mount, with
Projective Capacitive Touch (1-2mm) USB Controller

Model: ECH0846LED-SIP-PCT

ECHXXX-SIP Series: Rugged Completely Sealed IP66/NEMA4X Stainless Steel Chassis/Surface Mount
(Optional Integrated All-in-One PC Fanless and Touchscreen Solution)

Features Highlights:



Water Proof Solution, Full IP/NEMA4 Rating
front and back
Stainless and Aluminum Housing Chassis Design

Glass Protective Glass at front

Optional High Brightness and Touch screen



- IP65 Water and Dust proof connection for a higher protection
- All Connectors are facing back with IP66 water proof connectors

Stainless Steel Chassis LCD Monitor

Features:

- Modular mechanism design provides flexible product configuration and easy maintenance.
- Stainless Steel Enclosure
- Optional with auto-brightness sensor offers application in day and night

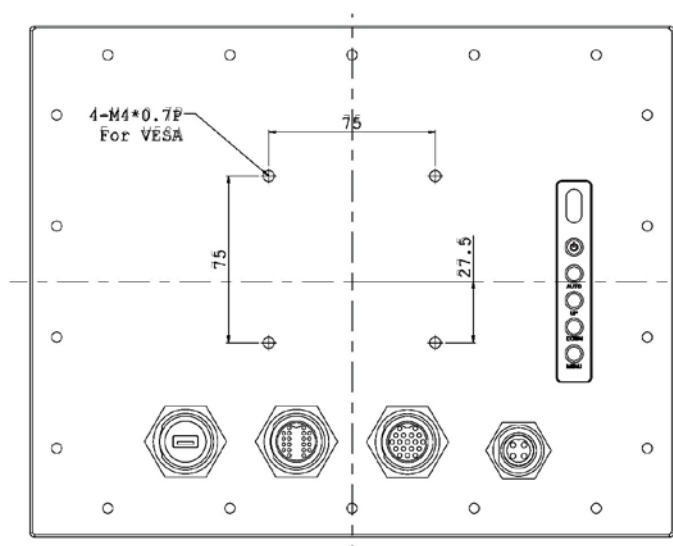
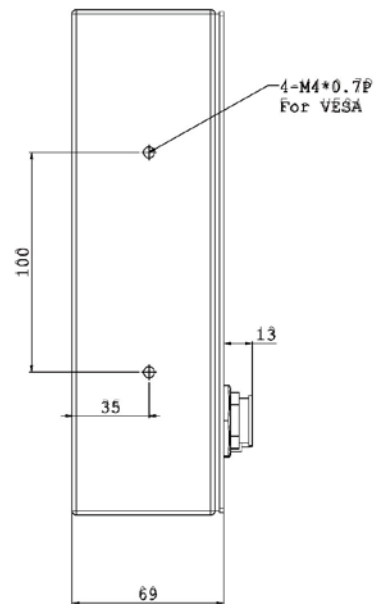
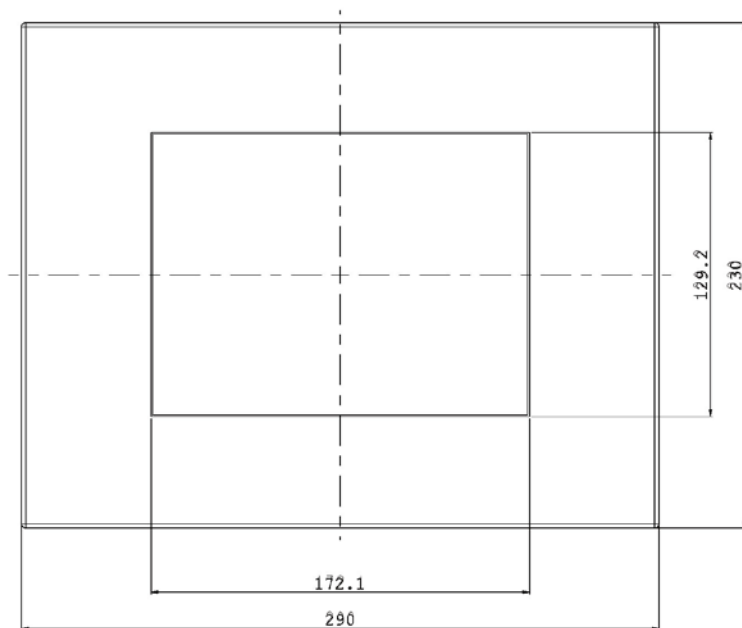
Specification:

Panel	Cell Type / Glass Surface	TFT LCD / Black Anti-Glare, low reflection coating		
	Aspect Ratio / Size	4 : 3 / 8.4" viewable diagonal area		
	Active Area / Pixel Pitch	170.4(H) x 127.8(V) mm / 0.213(H) x 0.213(V) mm		
	Native Resolution / Colors	800(H) x 600(V) / 262 K		
	Brightness / Contrast	350 cd/m ² (typ) / 400 : 1		
	Response Time	^ 35 ms		
	Viewing Angle (typical)	H. 140° (- 70° ~ + 70°) , V. 120°(- 60° ~ + 60°)		
	Light Source	CCFL , Long life, 50,000 hrs (typ)		
Input Sources	PC System	Signal	Analog RGB (0.7/1.0 V _{p-p} , 75 ohms)	
		Sync	Separate Sync, Composite Sync, Sync On Green	
		Frequency	F _H : 30 - 82Khz , F _V : 50 -75Hz	
	Audio System	2W speaker x 2		
Input Terminals	1 x VGA (15 Pin Female D-Sub), 1 x PC Audio (Stereo Headphone Jack), 1 x DC Power Plug			
Convenient Features	Auto Calibration , Back Light Adjustment, Plug&Play (VESA DDC/CI, DDC 2B)			
	OSD Multi-Languages , Wall Mount Ready (VESA 75 x 75 mm)			
Power	External AC-to-12VDC power adapter with universal / Auto-Sensing, AC 90 to 260V, 50 / 60 Hz			
Power Consumption	Operation / Power Saving	16 watt, < 2 watt (Support DPMS)		
Operating Condition	Temperature / Humidity	0°C ~ 50°C (32°F ~ 122°F), 10% ~ 90% (no condensation)		
Storage Condition	Temperature / Humidity	- 20°C ~ 60°C (- 4°F ~ 140°F), 10% ~ 90% (no condensation)		
Certification	FCC,CE			
Dimensions	Physical	With Base(W x H x D): TBD		
		Without Base(W x H x D): 286 x 195 x 63 (mm)		
	Carton	Wx H x D = TBD		
Weight	N.W. / GW.	5.0 Kgs / 7.0 Kgs		
Container Loaded	20ft / 40ft / 40ft HQ	TBD (Sets , By pallet)		

Options	Touch	Video / TV	Enhanced Panel	Others
	Resistive touch	SV + AV	Panel with LED backlight	Digital Signage(Stand alone)
	Capacitive touch	SV + AV + AV_Looping	High brightness panel	Networking Digital Signage
	SAW touch	SV + AV + TV	Wide Temperature	Motion Sensor
	Infrared touch		Sunlight Readable	Light Sensor
	Protected glass			Auto-Dimming

Stainless Steel Chassis LCD Monitor

Mechanical Drawing:



LCD Options:



LED Backlight Options

Introducing LED backlight options for monitors for energy efficiency and a brighter screen.



TouchScreen Options

Our LCD has a wide selection of touchscreen technology to choose which suits for you.

	Four-Wire Resistive	Five-Wire Resistive	Capacitive
PRODUCT SIZE	1.7" - 24"	10.4" - 24"	12" - 24"
TOUCH LIFE	1 - 2 million touches	30 - 35 million touches	100 million touches
SCRATCH RESISTANCE	Hard Coated	Hard Coated	Hard Coated (SiO ₂)
CONTAMINANT RESISTANCE	Resists moisture, dirt, vinegar, ammonia based food products and cleansers	Resists moisture, dirt, vinegar, ammonia based food products and cleansers	Resists moisture, dirt, vinegar, ammonia based food products and cleansers
INPUT METHOD	Finger, Gloved Hand, Stylus	Finger, Gloved Hand, Stylus	Finger
CONTROLLER	USB, RS232	USB, RS232	USB, RS232



VIDEO Input Options:

For Video inputs options:

DVI, DVI+HDMI, SVideo+AV, SVideo+AV+DVI, AV+Looping, DVI+AV+Looping, HD-SDI, BNC(PAL/NTSC)



Optical Bonding Options

- Optical Bonding provides the best reduction of ambient light washout of any commercially available enhancement technology.
- Optical Bonding has a lower cost than most other competing technologies.
- Optical Bonding offers superior ruggedization, enhancing the display durability under vibration, shock and other environmental extremes.



RS-232 Remote Control Options

Remote Control Protocol: Command Code to set system



9-36V DC Input Options

iTech offers a selection of DC input from 9V to 36V



Light Sensor and Motion Sensor Options

iTech LCD offers Light and Motion Sensor

Privacy Filter

Front Glass Options:

- Anti Reflective AR Glass 3mm
- Anti Reflective AR Glass 6mm Vandal-Resistance
- Anti Reflective AR Glass 8mm Vandal-Resistance
- Anti Glare AG Glass 3mm