

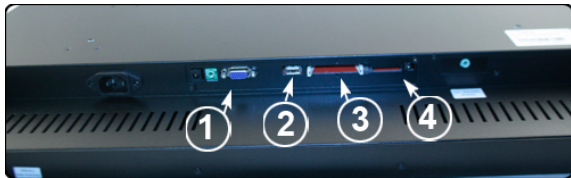
Chassis Mount 21.5" LCD Monitor
1920x1080, CF / SD / USB Plug and Play

Model: EDDW2150HD



FEATURES:

- Digital Signage LCD Frame
- Commercial Grade LCD with Metal housing
- CF / SD / USB Plug and Play
- High Definition 1920 x 1080
- LED backlit
- Play Video/Photo/Music
- JPG,MP3,MPG1/2/4,AVI ,DIVX
- Wide Viewing angle
- Auto-Play, Auto-repeat
- Support Timer to programming power on/off
- Support play list to specify files to play
- Support Programmable Photo Slide Timing
- Support Disconnection Memory to continuously play where it break
- Power Resume : Continue play the content from break point after power recover
- Power on password Setting
- Photo Rotation
- Full Function Remote Control
- Built in Speakers
- Optional High brightness 1000nits
- Optional Motion Sensors and Dimming Sensors
- Optional 6mm Vandal Proof Safety Glass
- Optional Stainless steel Front Bezel
- Optional Anti-Reflective AR 3mm Front Glass for protection



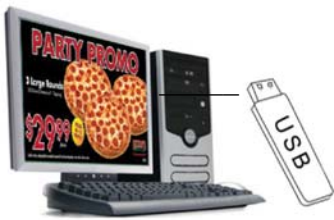
1. VGA Output Port
2. USB Plug-in
3. CF Plug-in
4. SD Card Plug-in



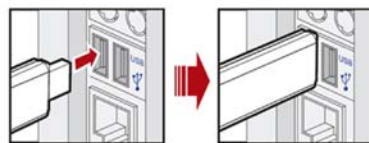
Plug-n-Play Solution

Custom Digital Signage In 3 Easy Steps!

No Internet Connection Required.



1. Save image or video file to USB



2. Plug USB/CF/ SD Card into player



3. Play on screen!

LCD SPECIFICATIONS:

Panel	Cell Type / Glass Surface	TFT LCD / Black Anti-Glare, low reflection coating
	Aspect Ratio / Size	Wide / 21.5" viewable diagonal area
	Active Area / Pixel Pitch	476.64(H) x 268.11(V) mm / 0.248(H) x 0.248(V) mm
	Native Resolution / Colors	1920(H) x 1080(V) / 16.7M
	Brightness / Contrast	300 cd/m ² (typ) / 1000 : 1
	Response Time	≤ 5 ms
	Viewing Angle (typical)	H. 170o (- 85o ~ + 85o) , V. 160o(- 80o ~ + 80o)
	Light Source	LED backlight, Long life, 35,000 hrs (typ)
	OSD Multi-Languages , Wall Mount Ready (VESA 75 x 75 mm)	
Power	Internal power supply with universal / Auto-Sensing, AC 90 to 260V, 50 / 60 Hz	
Power Consumption	Operation / Power Saving	26 watt , < 1 watt (Support DPMS)
Operating Condition	Temperature / Humidity	0°C ~ 50°C (32°F ~ 122°F) , 10% ~ 90% (no condensation)
Storage Condition	Temperature / Humidity	- 20°C ~ 60°C (- 4°F ~ 140°F) , 10% ~ 90% (no condensation)
Certification		FCC , CE
Dimensions	Physical	With Flanges : W x H x D = 532 x 344 x 63 (mm)
		Without Flanges : W x H x D = 532 x 318 x 63 (mm)
	Carton	W x H x D = TBD
Weight	N.W. / G.W.	6 Kgs / 7 Kgs
Container Loaded	20ft / 40ft / 40ft HQ	TBD (Sets , By pallet)

Options	Touch	Video/TV	Enhanced Panel	Others
	Resistive touch	SV + AV	Panel with LED backlight	Digital Signage(Stand alone)
	Capacitive touch	SV + AV + AV_Looping	High brightness panel	Networking Digital Signage
	SAW touch	SV + AV + TV	Wide Temperature	Motion Sensor
	Infrared touch		Sunlight Readable	Light Sensor
	Protected glass			Auto-Dimming

MEDIA PLAYER SPECIFICATIONS:

Video Function	MPEG-1 video playback
	MPEG-2 video playback
	MPEG-4 at full screen D1 video playback
	AVI
	Video Bandwidth -ASF simple profile 320 x 240 video
Photo Function	Motion JPEG playback
	JPEG photo playback
	Progressive JPEG photo playback
	Photo Bandwidth -
	Motion JPEG Maximum 10 fps JPEG minimum 16x16 pixels, Maximum 5120x3840 pixels
Audio Function	MP3 music playback
	DIVX
	WMA music playback
	AAC audio decode and playback
	Audio bandwidth - MP3 minimum 32Kbps, Maximum 256Kbps
Media Card Supported	CF / SD / USB
Convenient Features (By Remote Controller)	Auto-Play, Auto-repeat
	Support Timer to programming power on/off
	Support play list to specify files to play
	Support calendar
	Support Disconnection Memory to continuously play where it break
	Support auto copy content from USB disk to CF card with password
	Play/Pause , Stop
	Page up , Page Down
	Photo Zoom In/Out
	Photo Rotation
Programmable Photo Slide Timing	

Picture Mode to Display



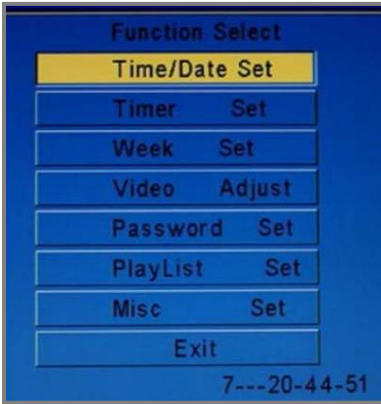
Play list setting



Preferences Setting



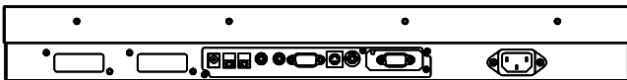
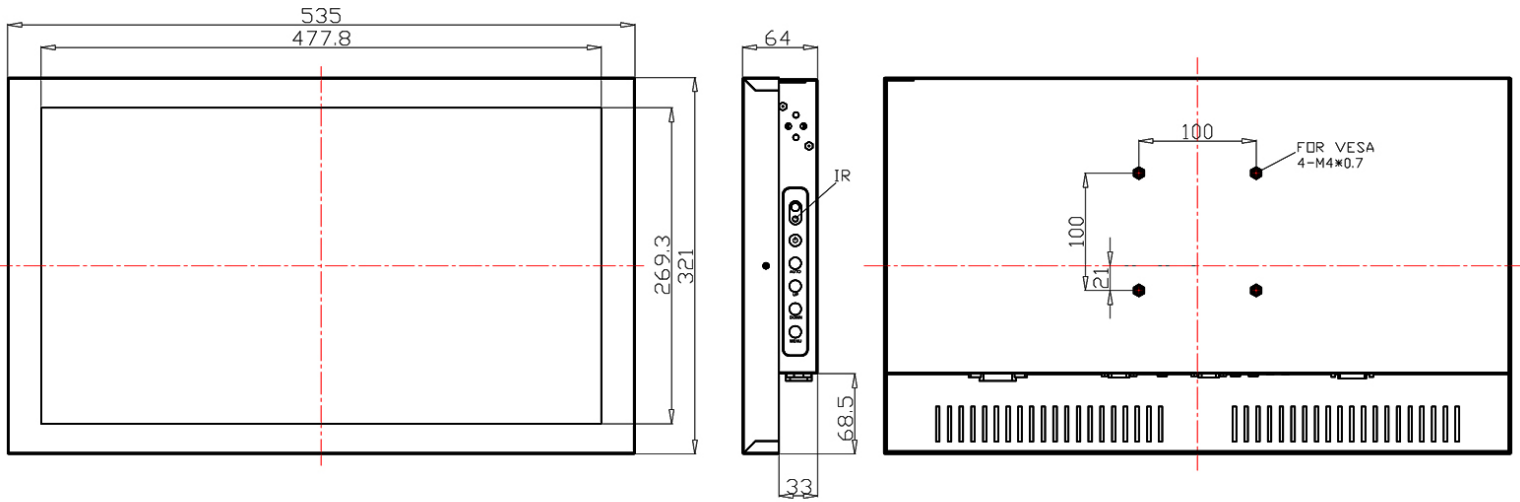
Time and Date



Timer setting to weekly turn on/off power



MECHANICAL DRAWINGS:



"These I/O are for references only, the actual power and video input might vary"



i-Tech Company LLC
TOLL FREE: (888) 483-2418 • EMAIL: info@iTechLCD.com • WEB: www.iTechLCD.com

"These high-definition LED Displays are simple to use and are purpose built for commercial environments"