

# Rugged Completely Sealed IP66/NEMA4X

15.6" IP66 Waterproof Monitor, Aluminum Housing, 1920 x 1080, 1500nits, AR glass, front OSD(+,- key, adjust brightness directly), IP67 I/O: HDMI, DC9~36V input (facing down). VESA mount, operating temperature: -10~70C, Includes all HDMI and DC power cables 6ft long



**1500 nits**

**Model: SCHW1560HBWT-A**

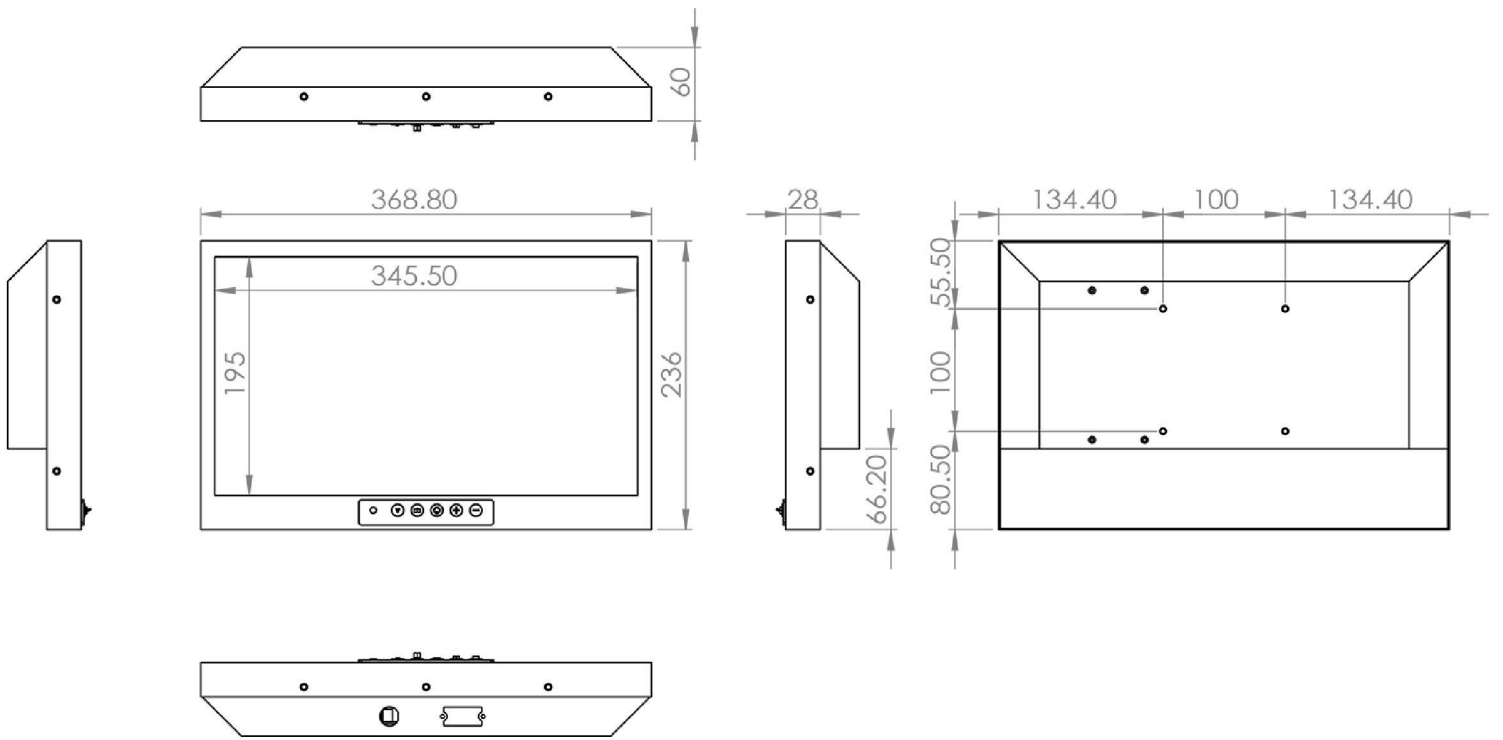
## FEATURES:

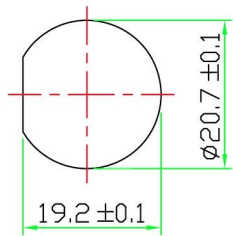
- Color Active Matrix Liquid Crystal Display composed of a TFT LCD panel
- A driver circuit
- LED backlight system
- Support the 16:9 FHD, 1920(H) x 1080(V) screen and 16.7M colors (RGB 8-bits data driver)

## SPECIFICATIONS:

Items	Unit	Specifications			
Screen Diagonal	[inch]	15.6"			
Active Area	[mm]	344.16(H) x 193.59(V)			
Pixels H x V		1920 x 3(RGB) x 1080			
Pixel Pitch	[mm]	0.17925 x 0.17925			
Pixel Format		R.G.B. Vertical Stripe			
Display Mode		TN Mode, Normally White			
White Luminance ( Center ) (ILED=50mA,Note: ILED is LED current)	[cd/m <sup>2</sup> ]	1500 Typ. 320 Min.			
Contrast Ratio		700:1 (Typ.)			
Response Time	[ms]	8 (Typ.)/ 16 (Max.)			
Nominal Input Voltage VDD	[Volt]	+3.3 (Typ.)			
LCD Power Consumption	[Watt]	3.37 W (Max.)			
LED Power Consumption	[Watt]	10.5 W (Max.)			
Weight	[Grams]	940 (Typ.) ;1100 (Max.)			
	[mm]		Min.	Typ.	Max.
		Length	363.3	363.8	364.3
		Width	215.4	215.9	216.4
		Thickness	8.8	9.3	9.8
Electrical Interface		Two channel LVDS			
Surface Treatment		Anti-glare, 3H			
Support Color		16.7M Colors ( RGB 8-bits)			
Temperature Range Operating	[°C]	-10 to +70			
Storage (Non-Operating)	[°C]	-20 to +70			

MECHANICAL DRAWING



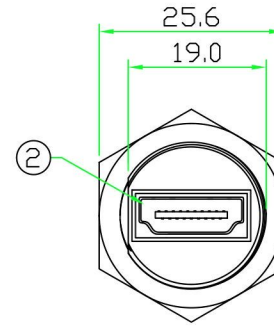
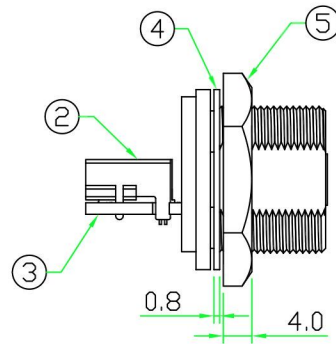
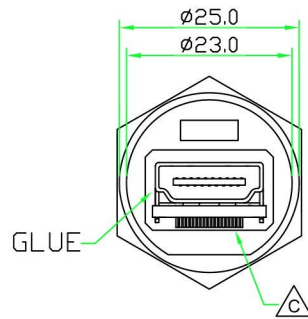
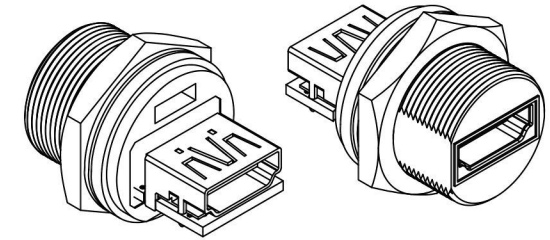
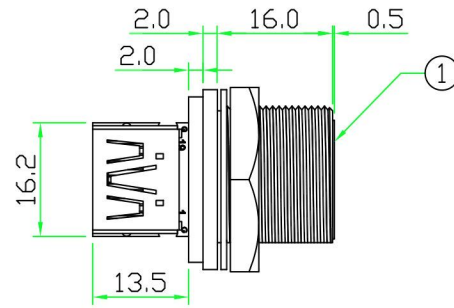


RECOMMEND  
PANEL CUT OUT

RoHS

IP66-68

HDMI  
HIGH-DEFINITION MULTIMEDIA INTERFACE C1



FRONT VIEW

NOTES:

1. ELECTRICAL CHARACTERISTICS:

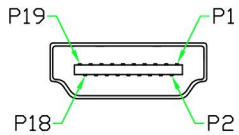
CURRENT RATING: 0.5A

CONNECTOR TEMPERATURE RANGE: -25°C TO +85°C

DIELECTRIC WITHSTANDING VOLTAGE:

500V AC FOR ONE MINUTE

2. PANEL THICKNESS MAX. 6.0mm



PIN ASSIGNMENT  
FRONT VIEW

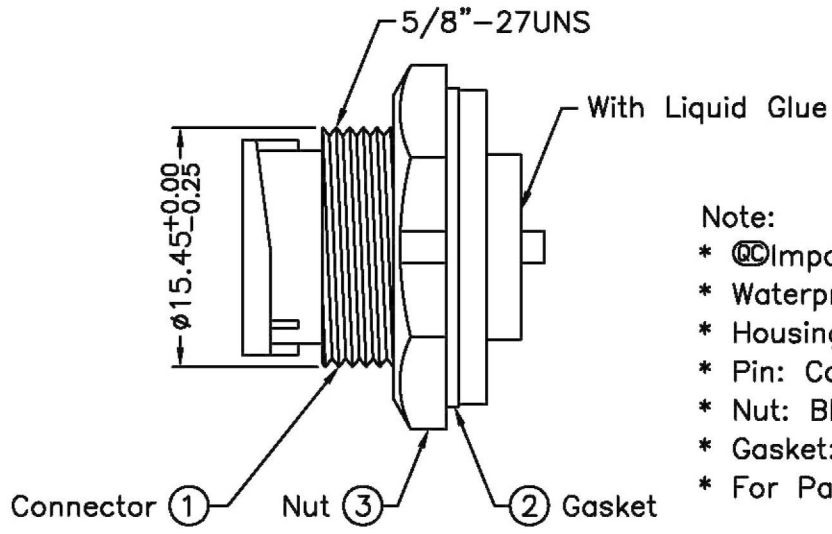
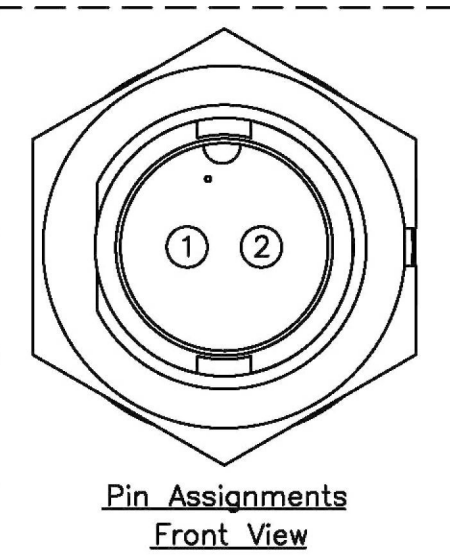
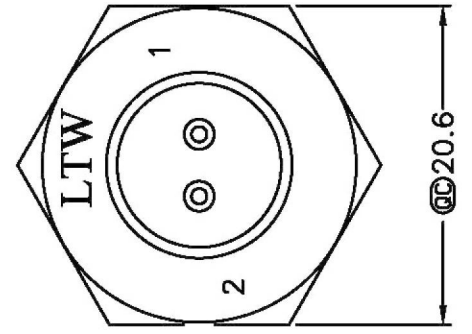
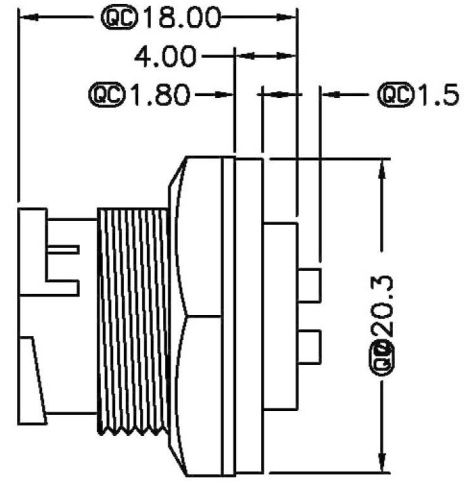
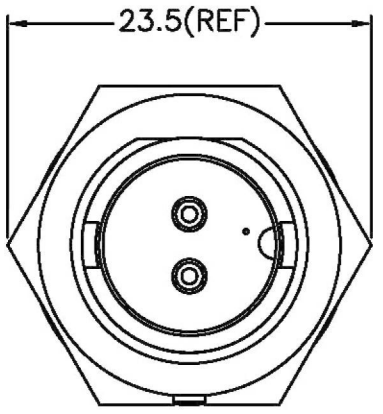
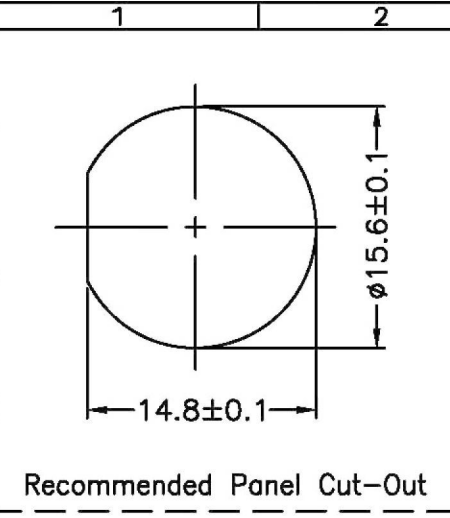
OLD P/N:

	UNIT: mm	TITLE : HDMI A Type Female C Size Screw Type Circular Flange Panel With HDMI A Type Female	DR. Patty
SCALE	1:1		
UNLESS OTHERWISE SPECIFIED TOLERANCES: x ± 0.5 xx ± 0.25 xxx ± 0.1 ANGLE ± 1°		P/N:	CH. ERIC
REV. C1	SHEET 1/1		DWG.NO:

No.	PART NAME	DESCRIPTION	COLOR	Q'TY	REMARKS
5	HEX NUT	Nylon+GF.	BLACK	1	
4	GASKET	EPDM.	BLACK	1	
3	PCB	FR4 . Double Side, 1.6mm Thickness.		1	
2	CONNECTOR	HDMI A Type Female S/T PCB Connector.		2	
1	BODY	HDMI A Type Female Connector Body. Nylon+GF.	BLACK	1	

THIS DOCUMENT IS SUBJECT TO CHANGE WITHOUT NOTICE. IT IS CONFIDENTIAL AND A PROPERTY OF PTC. DISCLOSURE TO THIRD PARTY HAS TO BE AUTHORIZED BY PTC.

5	6	7	8
REV.	ECN NO.	DATE	SIGN
		DESCRIPTION	



- Note:
- \*  $\text{QC}$  Important Dimension To Check.
  - \* Waterproof Rate: IP67
  - \* Housing: Black, Nylon+GF
  - \* Pin: Copper Alloy, Gold Plated
  - \* Nut: Black, Nylon+GF
  - \* Gasket: Black, EPDM
  - \* For Panel Thickness Max Of 4.0mm.

UNIT:mm	
TOLERANCE	
.X	±0.25
.XX	±0.1
.XXX	±0.05
ANGLES	±1°

TITLE		Standard	
Panel Lock 2Pin M Conn. M Pin			
SCALE	Free	SHEET	1 OF 1
REV.	A	SIZE	A4
$\text{QC}$ : Inspection Item			

ITEM NO	DRAWN BY	DATE
		2011/01/20
DWG NO	CHECKED BY	DATE
		2011/01/20
CUSTOMER	APPROVED BY	DATE