

EPPM Series: IP65 Panel Mount

IP65 Panel Mount 8.4" LCD monitor, 800 x 600, LED 450 nits, VGA input, WT(-30°C~80°C) with Capacitive touch screen

Model: EPPM0840WT-TC



FEATURES HIGHLIGHTS:

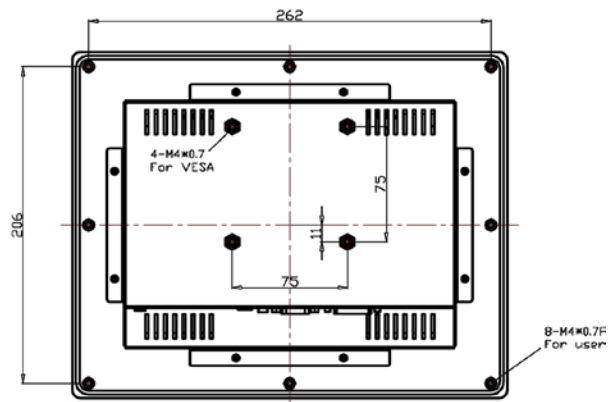
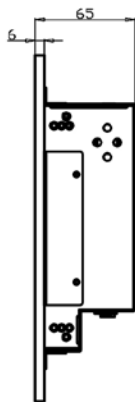
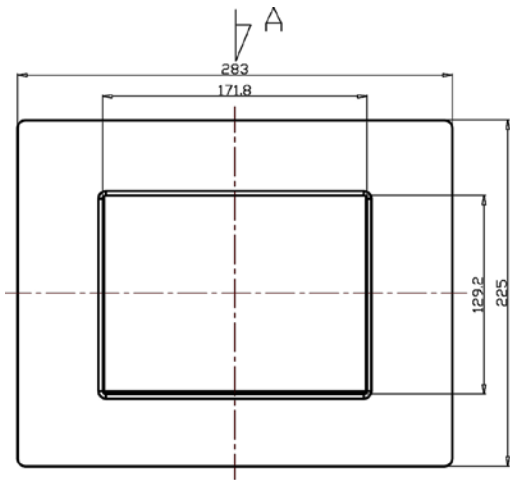
- Modularize mechanical design provides flexible product configuration and easy maintenance
- Optional build-in touch screen for interactive application
- Available with auto-brightness sensor offers application in day and night
- VGA connector with optional AV.SV.AV-Looping
- Complete custom design/solution for OEM customers
- IP65 front side sealed for water-dust proof

SPECIFICATIONS:

| | | | |
|---------------------|--|--|---|
| Panel | Cell Type / Glass Surface | TFT LCD / Black Anti-Glare, low reflection coating | |
| | Aspect Ratio / Size | 4 : 3 / 8.4" viewable diagonal area | |
| | Active Area / Pixel Pitch | 170.4(H) x 127.8(V) mm / 0.213(H) x 0.213(V) mm | |
| | Native Resolution / Colors | 800(H) x 600(V) / 262 K | |
| | Brightness / Contrast | 450 cd/m ² (typ) / 600 : 1 | |
| | Response Time | < 30 ms | |
| | Viewing Angle (typical) | H. 160o (- 80o ~ + 80o) , V. 140o(- 70o ~ + 70o) | |
| | Light Source | LED backlight, Long life, 35,000 hrs (typ) | |
| Input Sources | PC System | Signal | Analog RGB (0.7/1.0 V _{p-p} , 75 ohms) |
| | | Sync | Separate Sync, Composite Sync, Sync On Green |
| | | Frequency | F _h : 30 - 82Khz , F _v : 50 -75Hz |
| | Audio System | 2W speaker x 2 | |
| Input Terminals | 1 x VGA (15 Pin Female D-Sub) , 1 x PC Audio (Stereo Headphone Jack) , 1 x DC Power Plug | | |
| Convenient Features | Auto Calibration , Back Light Adjustment , Plug&Play (VESA DDC/CI, DDC 2B) | | |
| | OSD Multi-Languages , Wall Mount Ready (VESA Dimension - please refer to Drawing) | | |
| Power | 12V DC in | | |
| Power Consumption | Operation / Power Saving | 8.68 watt , < 2 watt (Support DPMS) | |
| Operating Condition | Temperature / Humidity | -30°C~80°C (-22°F ~ 176°F) , 10% ~ 90% (no condensation) | |
| Storage Condition | Temperature / Humidity | -30°C~80°C (-22°F ~ 176°F) , 10% ~ 90% (no condensation) | |
| Certification | FCC , CE | | |
| Dimensions | Physical | Please refer to Drawing | |
| | Carton | W x H x D = TBD | |
| Weight | N.W. / G.W. | 2.5 Kgs / 3.5 Kgs | |
| Container Loaded | 20ft / 40ft / 40ft HQ | TBD (Sets , By pallet) | |

| | | | | |
|---------|------------------|----------------------|--------------------------|------------------------------|
| Options | Touch | Video / TV | Enhanced Panel | Others |
| | Resistive touch | SV + AV | Panel with LED backlight | Digital Signage(Stand alone) |
| | Capacitive touch | SV + AV + AV_Looping | High brightness panel | Networking Digital Signage |
| | SAW touch | SV + AV + TV | Wide Temperature | Motion Sensor |
| | Infrared touch | | Sunlight Readable | Light Sensor |
| | Protected glass | | | Auto-Dimming |

MECHANICAL DRAWING:



VIEW A

