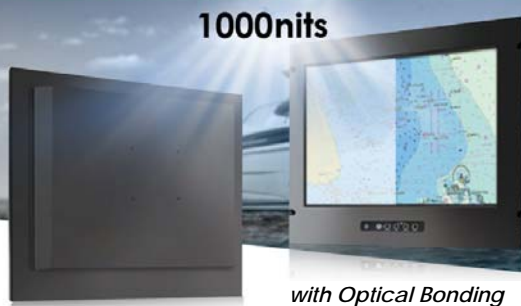


10.4" LCD monitor, 800x600, LED-1000nits VGA + DVI , Wide Temperature(-30~80°C), DC 9-36V Input and Front OSD control Brightness 0~100%, OSD Remote Control via RS-232, including rear screw/Clamp/VESA Mount with Optical Bonding

Model: EMO1040



With PIP, IP65 [Front], Wide Temp., Dimming, OSD Front Panel, Wide Voltage Input, High Brightness and Optical Bonding

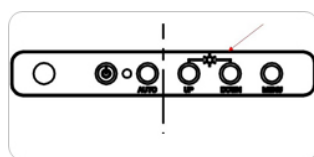


FEATURES:

- Optical Bonding has features such as superior ruggedization, enhancing the LCD surface durability under vibration and shock. Plus, No optical degradations due to solar, temperature and humidity.
- Membrane "+" & "-" Front OSD Direct control backlight brightness from nearly 0% to 100%
- High brightness/Sunlight Readable LED 1000nits panel
- With PIP, IP65 [Front], Wide Temp., Dimming, OSD Front Panel, Wide Voltage Input and High Brightness
- 9 to 36V DC power input
- Panel (flush) mount IP65 aluminum 6mm Bezel with powder coating design (IP54 rear)
- RS232 remote monitoring
- Optional of Resistive/Capacitive/SAW/PCT touchscreen
- Optional of 3mm/6mm (Safety) AR protection glass
- Optional M12 Plastic Water proof connectors
- Optional with Bracket stand
- Optional for 90-260V AC input

HIGHLIGHTS FEATURES:

Membrane "+" & "-" Front OSD Direct control backlight brightness from nearly 0% to 100%



9 to 36V DC power input

Optical Bonding



Optional M12 Plastic Water proof connectors

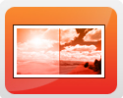


SPECIFICATIONS:

| | | | |
|---------------------|---|---|---|
| Panel | Cell Type / Glass | TFT LCD | |
| | Aspect Ratio / Size | 4 : 3 / 10.4" viewable diagonal area | |
| | Active Area / Pixel | 211.2(H) x 158.4(V) mm / 0.264(H) x 0.264(V) mm | |
| | Native Resolution / | 800(H) x 600(V) / 262 K | |
| | Brightness / Contrast | 1000 cd/m ² (typ) / 400 : 1 | |
| | Response Time | ≤ 35 ms | |
| | Viewing Angle (typical) | H. 140o (- 70o ~ + 70o) , V. 120o(- 60o ~ + 60o) | |
| | Light Source | LED backlight, Long life, 35,000 hrs (typ) | |
| Input Sources | PC System | Signal | Analog RGB (0.7/1.0 V _{p-p} , 75 ohms) |
| | | Sync | Separate Sync, Composite Sync, Sync On |
| | | Frequency | F _H : 30 - 82Khz , F _V : 50 -75Hz |
| | Audio System | 2W speaker x 2 | |
| Input Terminals | 1 x VGA (15 Pin Female D-Sub) , 1 x PC Audio (Stereo Headphone Jack) , 1 x DC Power | | |
| Convenient Features | Auto Calibration , Back Light Adjustment , Plug&Play (VESA DDC/CI, DDC 2B) | | |
| | OSD Multi-Languages , Wall Mount Ready (VESA 75 x 75 mm) | | |
| Power | 9~36VDC wide voltage input (Isolated DC-DC voltage regulator built-in) | | |
| Power Consumption | Operation / Power | 11 watt , < 2 watt (Support DPMS) | |
| Operating Condition | Temperature / Humidity | 0°C ~ 50°C (32°F ~ 122°F) , 10% ~ 90% (no condensation) | |
| Storage Condition | Temperature / Humidity | - 20°C ~ 60°C (- 4°F ~ 140°F) , 10% ~ 90% (no condensation) | |
| Certification | | FCC , CE | |
| Dimensions | Physical | W x H x D = 342 x 283 x 72 mm | |
| | Carton | W x H x D = TBD | |
| Weight | N.W. / G.W. | 3.5 Kgs / 4.5 Kgs | |
| Container Loaded | 20ft / 40ft / 40ft HQ | TBD (Sets , By | |

| Options | Touch | Video / TV | Enhanced Panel | Others |
|---------|------------------|--------------|-----------------------|----------------------------|
| | Resistive touch | SV + AV | Panel with LED | Digital Signage(Stand |
| | Capacitive touch | SV + AV + AV | High brightness panel | Networking Digital Signage |
| | SAW touch | SV + AV + TV | Wide Temperature | Motion Sensor |
| | Infrared touch | | Sunlight Readable | Light Sensor |
| | Protected glass | | | Auto-Dimming |

LCD OPTIONS



Optical Bonding Options

- Optical Bonding provides the best reduction of ambient light washout of any commercially available enhancement technology.
- Optical Bonding has a lower cost than most other competing technologies.
- Optical Bonding offers superior ruggedization, enhancing the display durability under vibration, shock and other environmental extremes.



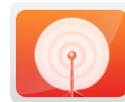
RS-232 Remote Control Options

Remote Control Protocol: Command Code to set system



9-36V DC Input Options

iTech offers a selection of DC input from 9V to 36V



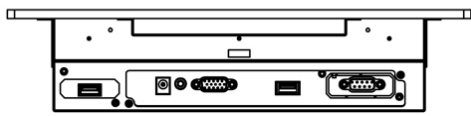
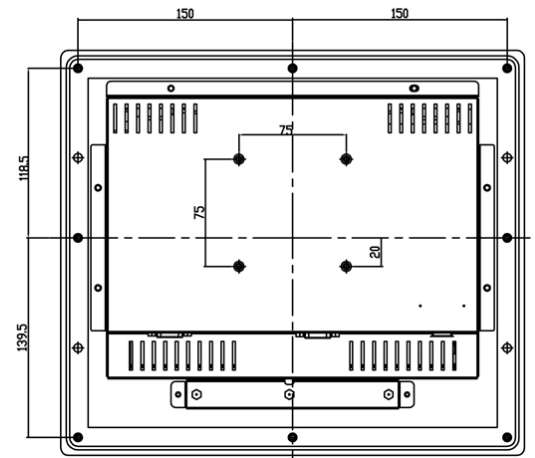
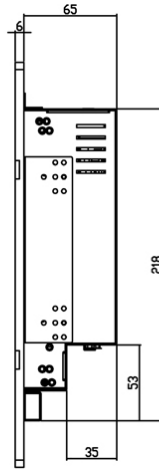
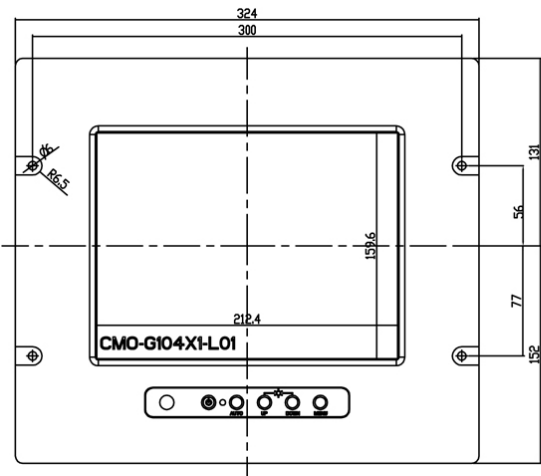
Light Sensor and Motion Sensor Options
iTech LCD offers Light and Motion Sensor

Privacy Filter

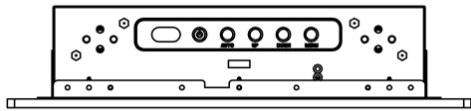
Front Glass Options:

- Anti Reflective AR Glass 3mm
- Anti Reflective AR Glass 6mm Vandal-Resistance
- Anti Reflective AR Glass 8mm Vandal-Resistance
- Anti Glare AG Glass 3mm

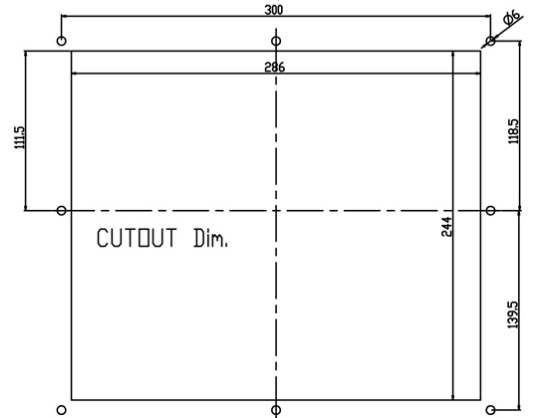
MECHANICAL DRAWING:



BOTTOM VIEW



TOP VIEW



CUTOUT Dim.

Option With Stand

