

IP65 Chassis Mount 10.1" Wide LCD monitor, 1366 x 768, LED 1000 nits, VGA input with 10 points Projective Capacitive Touch (1-2mm) USB Controller

Model: EOPPW1010HDHB-PCT10

10 Touch



FEATURES HIGHLIGHTS:

- Modularize mechanical design provides flexible product configuration and easy maintenance
- Optional build-in touch screen for interactive application
- Available with auto-brightness sensor offers application in day and night
- VGA connector with optional AV.SV.AV-Looping
- Complete custom design/solution for OEM customers
- IP65 front side sealed for water-dust proof

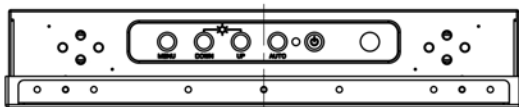
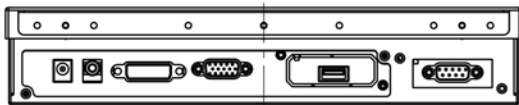
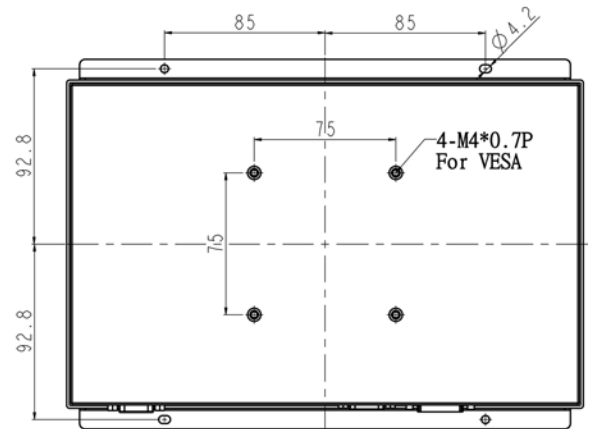
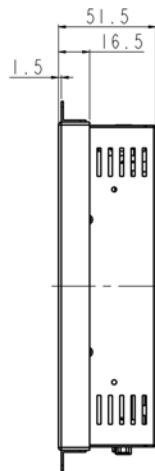
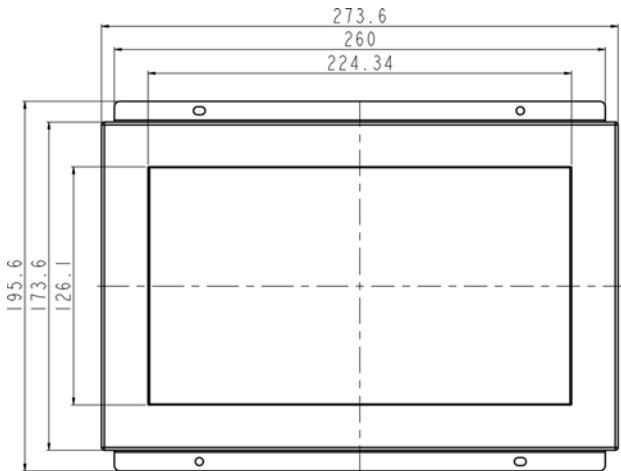


SPECIFICATIONS:

| | | | |
|---------------------|--|---|--|
| Panel | Cell Type / Glass Surface | TFT LCD / Black Anti-Glare, low reflection coating | |
| | Aspect Ratio / Size | Wide / 10.1" viewable diagonal area | |
| | Active Area / Pixel Pitch | 222.72(H) x 125.28(V) mm / 0.1629(H) x 0.1629(V) mm | |
| | Native Resolution / Colors | 1366(H) x 768(V) / 262 K | |
| | Brightness / Contrast | 1000 cd/m ² (typ) / 500 : 1 | |
| | Response Time | < 16 ms | |
| | Viewing Angle (typical) | H.90o (- 45o ~ + 45o) , V. 50o(- 30o ~ + 20o) | |
| | Light Source | LED backlight, Long life, 35,000 hrs (typ) | |
| Input Sources | PC System | Signal | Analog RGB (0.7/1.0 V _{p-p} , 75 ohms) |
| | | Sync | Separate Sync, Composite Sync, Sync On Green |
| | | Frequency | F _h : 30 - 82Khz , F _v : 50 - 75Hz |
| Audio System | 2W speaker x 2 | | |
| Input Terminals | 1 x VGA (15 Pin Female D-Sub) , 1 x PC Audio (Stereo Headphone Jack) , 1 x DC Power Plug | | |
| Convenient Features | Auto Calibration , Back Light Adjustment , Plug&Play (VESA DDC/CI, DDC 2B) | | |
| | OSD Multi-Languages , Wall Mount Ready (VESA Dimension - please refer to Drawing) | | |
| Power | 12V DC in | | |
| Power Consumption | Operation / Power Saving | 16 watt , < 1 watt (Support DPMS) | |
| Operating Condition | Temperature / Humidity | 0°C ~ 50°C (32°F ~ 122°F) , 10% ~ 90% (no condensation) | |
| Storage Condition | Temperature / Humidity | - 20°C ~ 60°C (- 4°F ~ 140°F) , 10% ~ 90% (no condensation) | |
| Certification | FCC , CE | | |
| Dimensions | Physical | Please refer to Drawing | |
| | Carton | W x H x D = TBD | |
| Weight | N.W. / G.W. | 3.5 Kgs / 4.5 Kgs | |
| Container Loaded | 20ft / 40ft / 40ft HQ | TBD (Sets , By pallet) | |

| Options | Touch | Video / TV | Enhanced Panel | Others |
|---------|------------------|----------------------|--------------------------|------------------------------|
| | Resistive touch | SV + AV | Panel with LED backlight | Digital Signage(Stand alone) |
| | Capacitive touch | SV + AV + AV_Looping | High brightness panel | Networking Digital Signage |
| | SAW touch | SV + AV + TV | Wide Temperature | Motion Sensor |
| | Infrared touch | | Sunlight Readable | Light Sensor |
| | Protected glass | | | Auto-Dimming |

MECHANICAL DRAWING:



TOP VIEW