



# Model: EPM1040X-SWG

## 10.4" Panel Mount LCD Monitor with 6mm SAW Touch

**EPM Series:** Industrial Panel Mount Metal Housing LCD Monitor  
(Optional Integrated Touchscreen/Front IP65/NEMA4x/Front Stainless steel bezel and more...)

### Features Highlights:

- Metal 5mm Panel Mount for easy installation with stud mount and Clamps mount  
(Optional for Front AR Glass or Vandal Resistant glass)
- Optional for Resistive/ Capacitive/ SAW/ IR/ Projective Capacitive Touch screen
- Auto Video Signal ON / OFF  
Auto Always Power On
- Optional Stainless steel Bezel 3mm thick
- Optional Integrated IP65 Front Panel Mount with water proof sealed Gasket

- Side OSD buttons can prevent unnecessary setting changes.
- VESA Mounting Hole Pattern
- Reliable built-in Power supply for 15" or above  
(Optional for 9-36V DC input)
- Standard VGA Input  
(Optional for DVI. HDMI, AV, BNC, AV looping and SDI)
- Optional for RS232 Remote Control Protocol: Command Code to set system

**Model: EPM1040-TR**



**Features:**

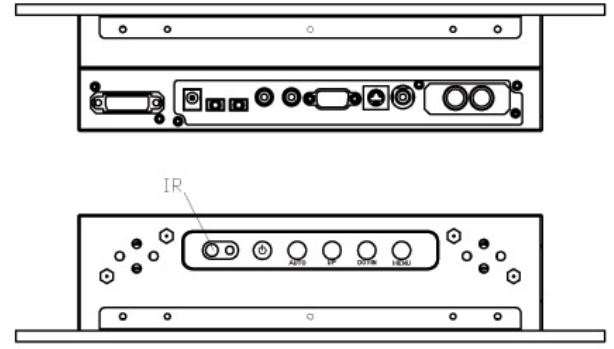
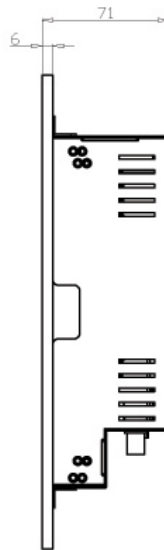
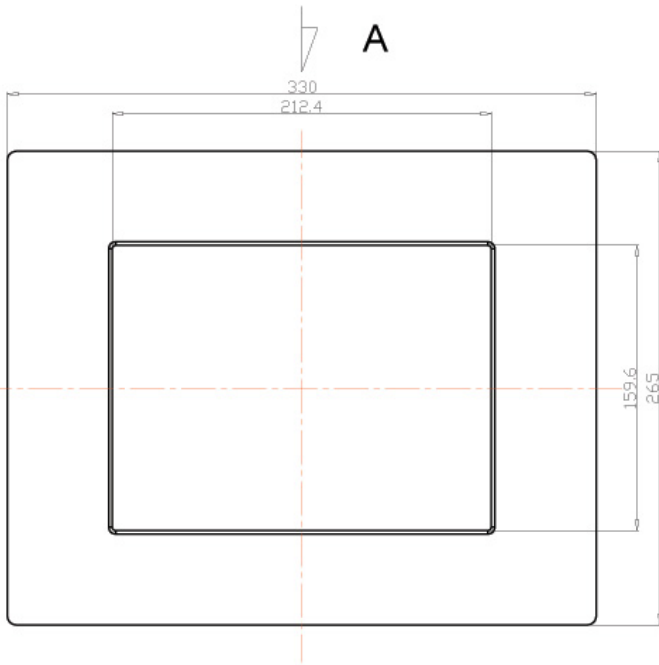
- 1024 x 768 Native resolution, 400 cd/m2 brightness, 176° horizontal/vertical viewing angles
- Modularize mechanical design provides flexible product configuration and easy maintenance
- Optional build-in touch screen for interactive application
- VGA connector with optional AV.SV.AV-Looping
- Complete custom design/solution for OEM customers

**Specification:**

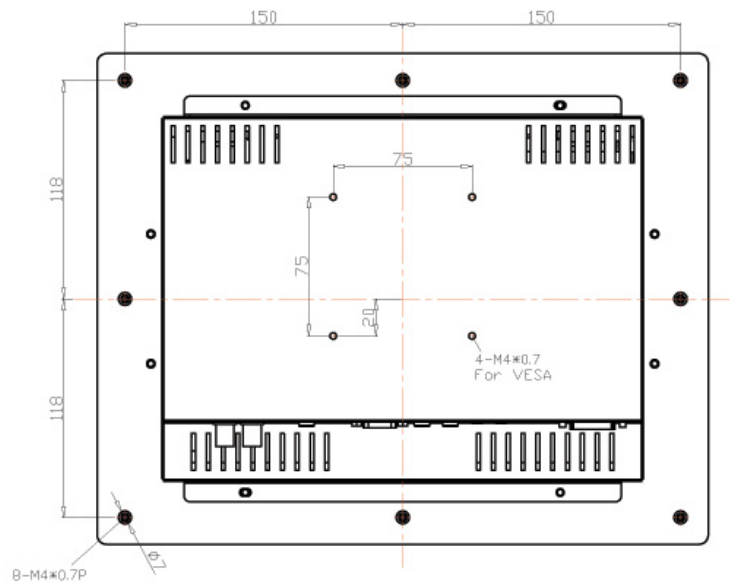
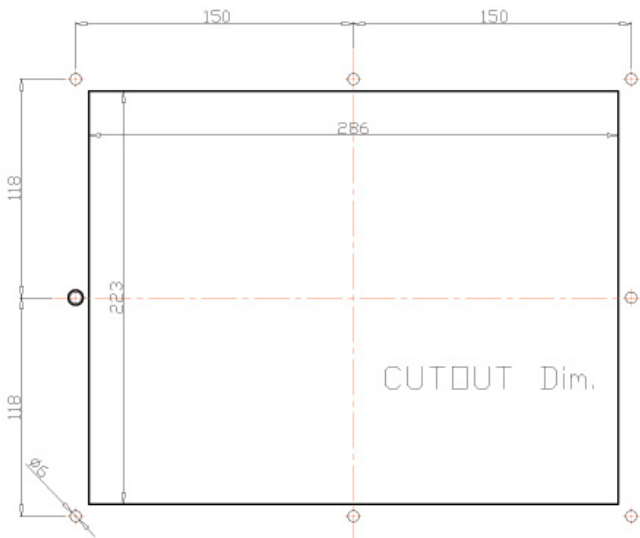
|                            |   |  |   |
|----------------------------|---|--|---|
| <b>Panel</b>               | Cell Type / Glass Surface   | TFT LCD / Black Anti-Glare, low reflection coating         |   |
|                            | Aspect Ratio / Size   | 4 : 3 / 10.4" viewable diagonal area                       |   |
|                            | Active Area / Pixel Pitch   | 210.4(H) x 157.8(V) mm / 0.2055(H) x 0.2055(V) mm          |   |
|                            | Native Resolution / Colors  | 1024(H) x 768(V) / 16.2 M                                  |   |
|                            | Brightness / Contrast   | 400 cd/m <sup>2</sup> (typ) / 1200 : 1                     |   |
|                            | Response Time   | ^ 25 ms  |   |
|                            | Viewing Angle (typical)   | H. 176° (- 88° ~ + 88°) , V 176°(- 88° ~ + 88°)            |   |
|                            | Light Source  | CCFL , Long life, 50,000 hrs (typ)                         |   |
| <b>Input Sources</b>       | PC System   | Signal   | Analog RGB (0.7/1.0 V <sub>p-p</sub> , 75 ohms)         |
|                            |   | Sync   | Separate Sync, Composite Sync, Sync On Green            |
|                            |   | Frequency  | F <sub>h</sub> : 30 - 82Khz , F <sub>v</sub> : 50 -75Hz |
|                            | Audio System  | 2W Speaker x 2   |   |
| <b>Input Terminals</b>     | 1 x VGA (15 Pin Female D-Sub), 1 x PC Audio (Stereo Headphone Jack), 1 x DC Power Plug      |  |   |
| <b>Convenient Features</b> | Auto Calibration , Back Light Adjustment, Plug&Play (VESA DDC/CI, DDC 2B)                   |  |   |
|                            | OSD Multi-Languages , Wall Mount Ready (VESA 75 x 75 mm)                                    |  |   |
| <b>Power</b>               | External AC-to-12VDC power adapter with universal / Auto-Sensing, AC 90 to 260V, 50 / 60 Hz |  |   |
| <b>Power Consumption</b>   | Operation / Power Saving  | 22 watt, < 2 watt (Support DPMS)                           |   |
| <b>Operating Condition</b> | Temperature / Humidity  | 0°C ~ 50°C (32°F ~ 122°F), 10% ~ 90% (no condensation)     |   |
| <b>Storage Condition</b>   | Temperature / Humidity  | - 20°C ~ 60°C (- 4°F ~ 140°F), 10% ~ 90% (no condensation) |   |
| <b>Certification</b>       | FCC,CE  |  |   |
| <b>Dimensions</b>          | Physical  | W x H x D = 330.0 x 265.0 x 71.0 mm                        |   |
|                            | Carton  | W x H x D = TBD  |   |
| <b>Weight</b>              | N.W. / G.W.   | 3.5 Kgs / 4.5 Kgs  |   |
| <b>Container Loaded</b>    | 20ft / 40ft / 40ft HQ   | TBD (Sets , By pallet)                                     |   |

|                |                  |                      |                          |                              |
|----------------|------------------|----------------------|--------------------------|------------------------------|
| <b>Options</b> | Touch            | Video/TV             | Enhanced Panel           | Others                       |
|                | Resistive touch  | SV + AV              | Panel with LED backlight | Digital Signage(Stand alone) |
|                | Capacitive touch | SV + AV + AV_Looping | High brightness panel    | Networking Digital Signage   |
|                | SAW touch        | SV + AV + TV         | Wide Temperature         | Motion Sensor                |
|                | Infrared touch   |                      | Sunlight Readable        | Light Sensor                 |
|                | Protected glass  |                      |                          | Auto-Dimming                 |

# Mechanical Drawing:



VIEW A



## LCD Options:



### LED Backlight Options

Introducing LED backlight options for monitors for energy efficiency and a brighter screen.



### TouchScreen Options

Our LCD has a wide selection option to choose which touchscreen technology suits for you.

|                        | Four-Wire Resistive  | Five-Wire Resistive  | Pen Touch  | Capacitive   | Surface Wave(Saw)  | Infrared Touch (Ir)  |
|------------------------|--|--|--|--|--|--|
| PRODUCT SIZE           | 1.7" - 24"   | 10.4" - 24"  | 15" - 19"  | 12" - 24"  | 10.4" - 30"  | 10.4" - 42"  |
| TOUCH LIFE             | 1 - 2 million touches  | 30 - 35million touches   | 100 million touches  | 100 million touches  | 50 million touches   | Long-term reliability  |
| SCRATCH RESISTANCE     | Hard Coated  | Hard Coated  | Hard Coated (SiO <sup>2</sup> )  | Hard Coated (SiO <sup>2</sup> )  | Glass Overlay<br>Moh's hardness rating of 7                                | Glass Overlay<br>Moh's hardness rating of 7                                |
| CONTAMINANT RESISTANCE | Resists moisture, dirt, vinegar, ammonia based food products and cleansers | Resists moisture, dirt, vinegar, ammonia based food products and cleansers | Resists moisture, dirt, vinegar, ammonia based food products and cleansers | Resists moisture, dirt, vinegar, ammonia based food products and cleansers | Resists moisture, dirt, vinegar, ammonia based food products and cleansers | Resists moisture, dirt, vinegar, ammonia based food products and cleansers |
| INPUT METHOD           | Finger, Gloved Hand, Stylus  | Finger, Gloved Hand, Stylus  | Stylus Pen   | Finger   | Finger, Gloved Hand, Soft pliable stylus                                   | Finger, Gloved Hand, Stylus  |
| CONTROLLER             | USB, RS232   | USB, RS232   | USB, RS232   | USB, RS232   | USB, RS232   | USB, RS232   |



### VIDEO Input Options:

For Video inputs options:

DVI, DVI+HDMI, SVideo+AV, SVideo+AV+DVI, AV+Looping, DVI+AV+Looping, HD-SDI, BNC(PAL/NTSC)



### Optical Bonding Options

- Optical Bonding provides the best reduction of ambient light washout of any commercially available enhancement technology.
- Optical Bonding has a lower cost than most other competing technologies.
- Optical Bonding offers superior ruggedization, enhancing the display durability under vibration, shock and other environmental extremes.



### RS-232 Remote Control Options

**Remote Control Protocol: Command Code to set system**



### 9-36V DC Input Options

iTech offers a selection of DC input from 9V to 36V



**Light Sensor and Motion Sensor Options**  
iTech LCD offers Light and Motion Sensor

### Privacy Filter

Front Glass Options:

- Anti Reflective AR Glass 3mm
- Anti Reflective AR Glass 6mm Vandal-Resistance
- Anti Reflective AR Glass 8mm Vandal-Resistance
- Anti Glare AG Glass 3mm

