



Model: EPM2130-TC3M

21.3" Panel Mount LCD Monitor

Features:

- Modularize mechanical design provides flexible product configuration and easy maintenance
- Optional ultra high brightness panel
- VGA connector with optional AV.SV.AV-Looping
- Available with auto-brightness sensor offers application in day and night
- Complete custom design/solution for OEM customers
- Optional build-in touch screen for interactive application

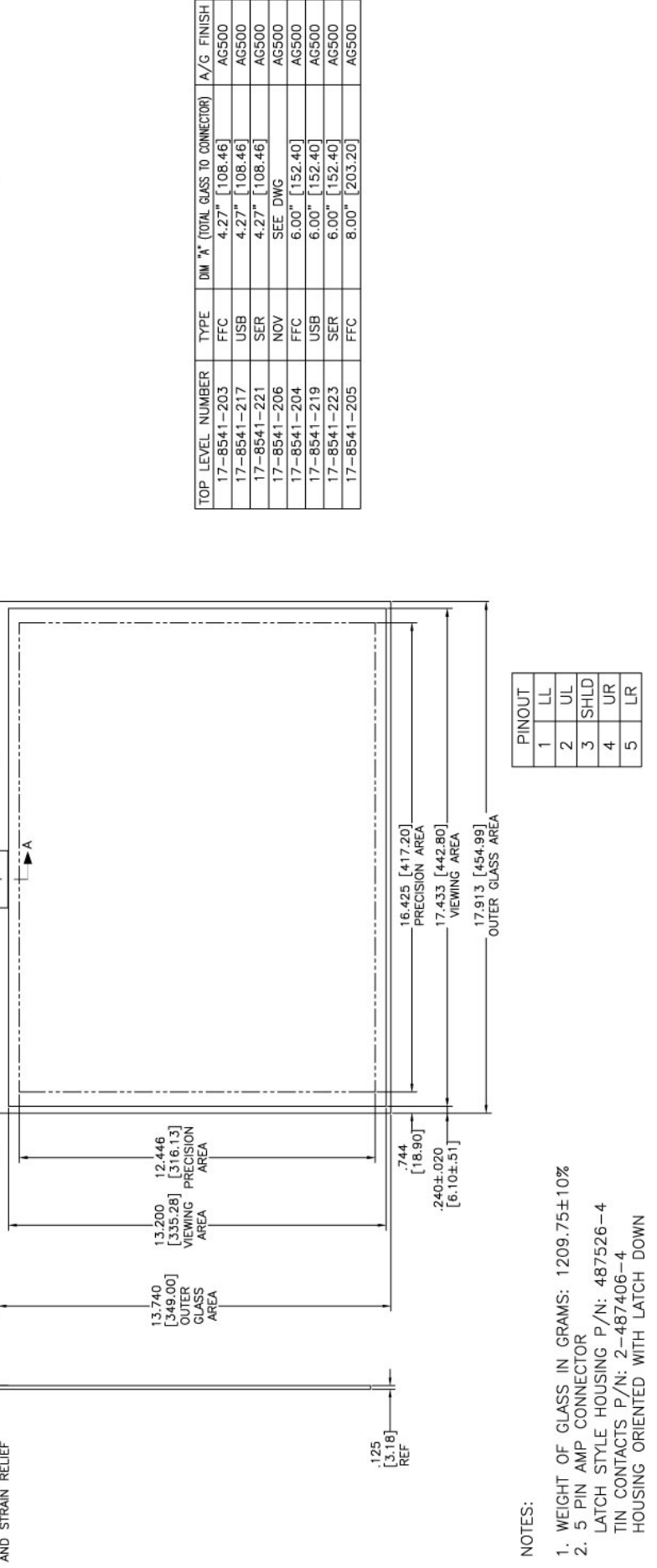
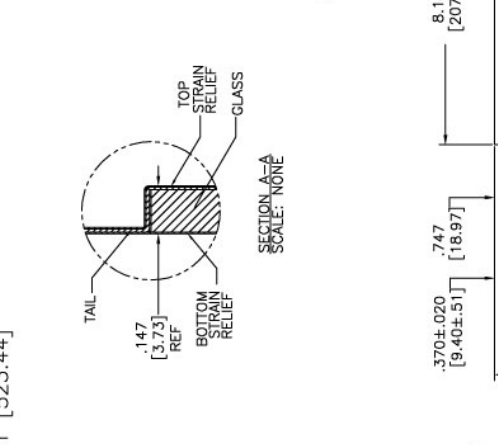
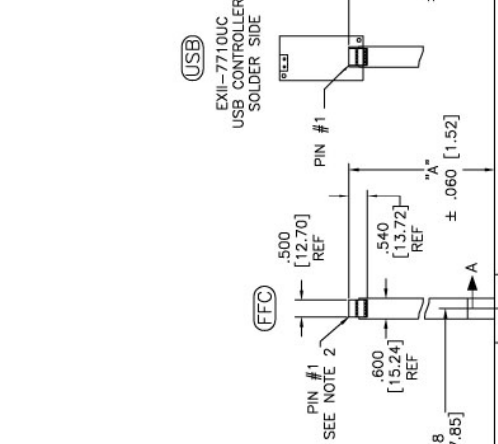
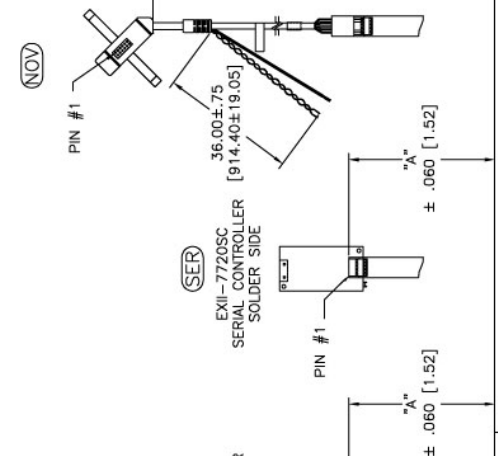
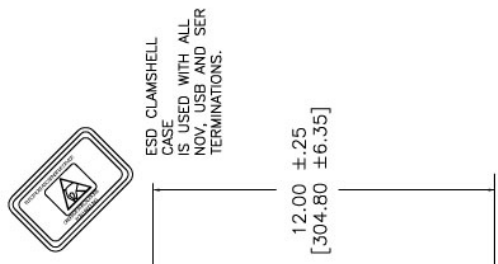
Specification:

Panel	Cell Type / Glass Surface	TFT LCD / Black Anti-Glare, low reflection coating	
	Aspect Ratio / Size	4 : 3 / 21.3" viewable diagonal area	
	Active Area / Pixel Pitch		
	Native Resolution / Colors	1600(H) x 1200(V) / 16.7 Million	
	Brightness / Contrast	250 cd/m ² (typ)	
	Response Time	^ 8 ms	
	Viewing Angle (typical)	H. 160° (- 80° ~ + 80°) , V. 160°(- 80° ~ + 80°)	
	Light Source	CCFL , Long life, 50,000 hrs (typ)	
Input Sources	PC System	Signal	Analog RGB (0.7/1.0 V _{p-p} , 75 ohms)
		Sync	Separate Sync, Composite Sync, Sync On Green
		Frequency	F _h : 30 - 82Khz , F _v : 50 -75Hz
	Audio System	2W Amplifier	
Input Terminals	1 x VGA (15 Pin Female D-Sub), 1 x PC Audio (Stereo Headphone Jack), 1 x AC Outlet		
Convenient Features	Auto Calibration , Back Light Adjustment, Plug&Play (VESA DDC/CI, DDC 2B)		
	OSD Multi-Languages , Wall Mount Ready (VESA 100 x 100 mm)		
Power	Internal power supply with universal / Auto-Sensing, AC 90 to 260V, 50 / 60 Hz		
Power Consumption	Operation / Power Saving	40 watt, < 5 watt (Support DPMS)	
Operating Condition	Temperature / Humidity	0°C ~ 50°C (32°F ~ 122°F), 10% ~ 90% (no condensation)	
Storage Condition	Temperature / Humidity	- 20°C ~ 60°C (- 4°F ~ 140°F), 10% ~ 90% (no condensation)	
Certification	FCC,CE		
Dimensions	Physical	With Flanges(W x H x D): 495.0 x 381.0 x 74.0	
	Carton		
Weight	N.W. / G.W.	6.7 Kgs / 7.7 Kgs	
Container Loaded	20ft / 40ft / 40ft HQ	TBD (Sets , By pallet)	

Options	Touch	Video / TV	Enhanced Panel	Others
	Resistive (With glass)	SV + AV	Panel with LED backlight	Digital Signage(Stand alone)
	Capacitive	SV + AV + AV Looping	High brightness panel	Networking Digital Signage
	SAW	SV + AV + TV	Wide Temperature	Motion Sensor
	Infrarded		Sun Light Readable	Light Sensor
				Auto-Dimming

Marketing Drawing:

OGA DIAGONAL: 22.58 [573.42]
 VA DIAGONAL: 21.87 [555.41]
 PA DIAGONAL: 20.61 [523.44]



PINOUT	
1	LL
2	UL
3	SHLD
4	UR
5	LR

- NOTES:
1. WEIGHT OF GLASS IN GRAMS: 1209.75±10%
 2. 5 PIN AMP CONNECTOR LATCH STYLE HOUSING P/N: 487526-4
 TIN CONTACTS P/N: 2-487406-4
 HOUSING ORIENTED WITH LATCH DOWN

Mechanical Drawing:

