



Model: EPM2200-TR

22" Panel Mount LCD Monitor with Resistive Touchscreen

EPM Series: Industrial Panel Mount Metal Housing LCD Monitor
(Optional Integrated Touchscreen/Front IP65/NEMA4x/Front Stainless steel bezel and more...)

Features Highlights:



Metal 5mm Panel Mount for easy installation with stud mount and Clamps mount
(Optional for Front AR Glass or Vandal Resistant glass)

Optional for Resistive/ Capacitive/ SAW/ IR/ Projective Capacitive Touch screen

Auto Video Signal ON / OFF
Auto Always Power On

Optional Stainless steel Bezel 3mm thick



Side OSD buttons can prevent unnecessary setting changes.

VESA Mounting Hole Pattern

Reliable built-in Power supply for 15" or above
(Optional for 9-36V DC input)



Standard VGA Input
(Optional for DVI, HDMI, AV, BNC, AV looping and SDI)

Optional for RS232 Remote Control Protocol: Command Code to set system

Features:

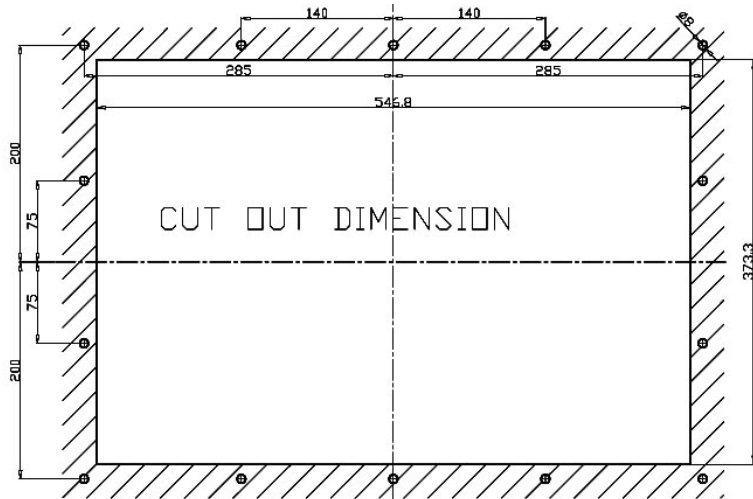
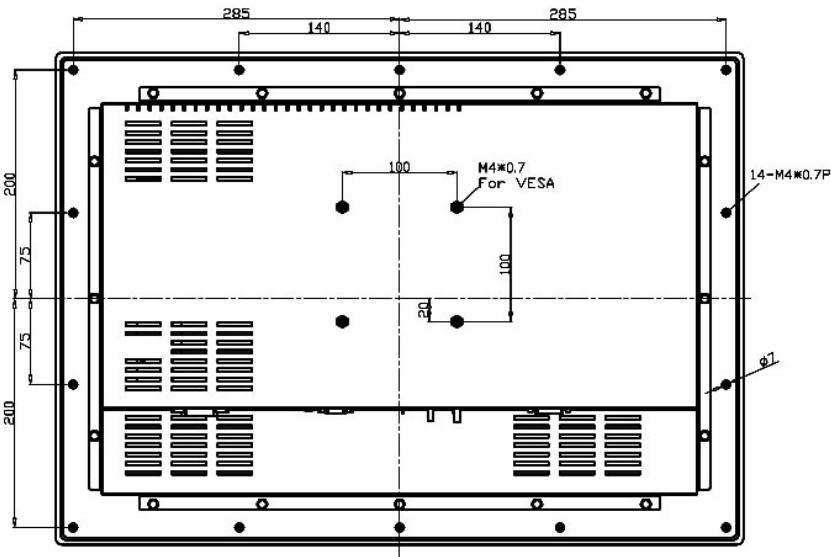
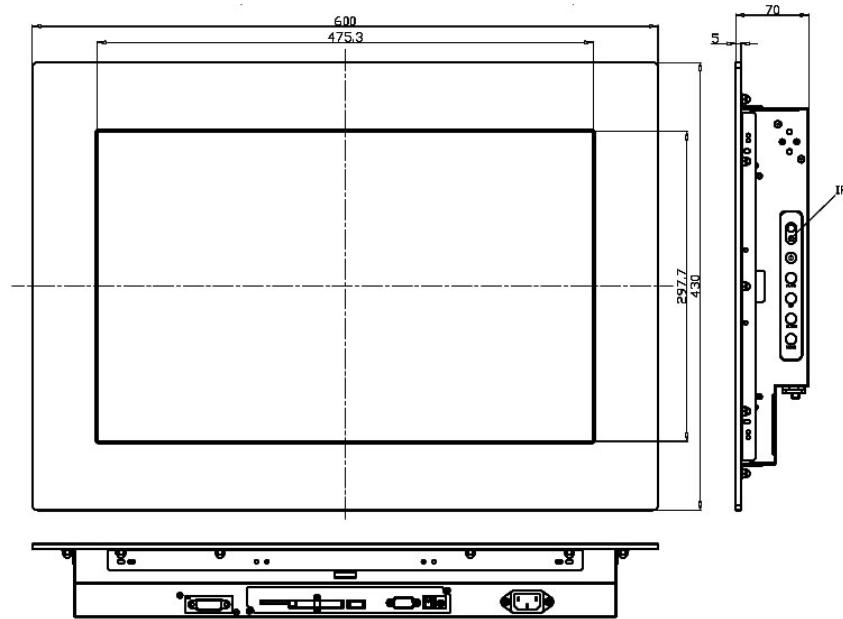
- Modularize mechanical design provides flexible product configuration and easy maintenance.
- Optional build-in touch screen for interactive application
- Available with auto-brightness sensor offers application in day and night.
- Optional ultra high brightness panel

Specification:

| | | | |
|----------------------------|--|--|---|
| Panel | Cell Type / Glass Surface | TFT LCD / Black Anti-Glare, low reflection coating | |
| | Aspect Ratio / Size | Wide / 22" viewable diagonal area | |
| | Active Area / Pixel Pitch | 473.8(H) x 296.1 (V) mm / 0.282(H) x 0.282(V) mm | |
| | Native Resolution / Colors | 1680(H) x 1050(V) / 16.7 Million | |
| | Brightness / Contrast | 300 cd/m ² (typ) / 1000 :1 | |
| | Response Time | ^ 5 ms | |
| | Viewing Angle (typical) | H. 170° (- 85° ~ + 85°) , V 160°(- 80° ~ + 80°) | |
| | Light Source | CCFL , Long life, 50,000 hrs (typ) | |
| Input Sources | PC System | Signal | Analog RGB (0.7/1.0 V _{p-p} , 75 ohms) |
| | | Sync | Separate Sync, Composite Sync, Sync On Green |
| | | Frequency | F _h : 30 - 82Khz , F _v : 50 -75Hz |
| | Audio System | 2W Speaker x 2 | |
| Input Terminals | 1 x VGA (15 Pin Female D-Sub), 1 x PC Audio (Stereo Headphone Jack), 1 x DC Power Plug | | |
| Convenient Features | Auto Calibration , Back Light Adjustment, Plug&Play (VESA DDC/CI, DDC 2B) | | |
| | OSD Multi-Languages , Wall Mount Ready (VESA 100 x 100 mm) | | |
| Power | Internal power supply with universal / Auto-Sensing, AC 90 to 260V, 50 / 60 Hz | | |
| Power Consumption | Operation / Power Saving | 36 watt, < 2 watt (Support DPMS) | |
| Operating Condition | Temperature / Humidity | 0°C ~ 50°C (32°F ~ 122°F), 10% ~ 90% (no condensation) | |
| Storage Condition | Temperature / Humidity | - 20°C ~ 60°C (- 4°F ~ 140°F), 10% ~ 90% (no condensation) | |
| Certification | FCC,CE | | |
| Dimensions | Physical | W x H x D = 580.0 x 410.0 x 68.0 mm | |
| | Carton | W x H x D = TBD | |
| Weight | N.W. / G.W. | 8.5 Kgs / 9.5 Kgs | |
| Container Loaded | 20ft / 40ft / 40ft HQ | TBD (Sets , By pallet) | |

| Options | Touch | Video / TV | Enhanced Panel | Others |
|----------------|------------------------|----------------------|--------------------------|------------------------------|
| | Resistive (With glass) | SV + AV | Panel with LED backlight | Digital Signage(Stand alone) |
| | Capacitive | SV + AV + AV Looping | High brightness panel | Networking Digital Signage |
| | SAW | SV + AV + TV | Wide Temperature | Motion Sensor |
| | | | Sun Light Readable | Light Sensor |
| | | | Auto-Dimming | |

Mechanical Drawing:



LCD Options:



LED Backlight Options

Introducing LED backlight options for monitors for energy efficiency and a brighter screen.



TouchScreen Options

Our LCD has a wide selection option to choose which touchscreen technology suits for you.

| | Four-Wire Resistive | Five-Wire Resistive | Pen Touch | Capacitive | Surface Wave(Saw) | Infrared Touch (Ir) |
|------------------------|--|--|--|--|--|--|
| PRODUCT SIZE | 1.7" - 24" | 10.4" - 24" | 15" - 19" | 12" - 24" | 10.4" - 30" | 10.4" - 42" |
| TOUCH LIFE | 1 - 2 million touches | 30 - 35million touches | 100 million touches | 100 million touches | 50 million touches | Long-term reliability |
| SCRATCH RESISTANCE | Hard Coated | Hard Coated | Hard Coated (SiO ²) | Hard Coated (SiO ²) | Glass Overlay Moh's hardness rating of 7 | Glass Overlay Moh's hardness rating of 7 |
| CONTAMINANT RESISTANCE | Resists moisture, dirt, vinegar, ammonia based food products and cleansers | Resists moisture, dirt, vinegar, ammonia based food products and cleansers | Resists moisture, dirt, vinegar, ammonia based food products and cleansers | Resists moisture, dirt, vinegar, ammonia based food products and cleansers | Resists moisture, dirt, vinegar, ammonia based food products and cleansers | Resists moisture, dirt, vinegar, ammonia based food products and cleansers |
| INPUT METHOD | Finger, Gloved Hand, Stylus | Finger, Gloved Hand, Stylus | Stylus Pen | Finger | Finger, Gloved Hand, Soft pliable stylus | Finger, Gloved Hand, Stylus |
| CONTROLLER | USB, RS232 | USB, RS232 | USB, RS232 | USB, RS232 | USB, RS232 | USB, RS232 |



VIDEO Input Options:

For Video inputs options:

DVI, DVI+HDMI, SVideo+AV, SVideo+AV+DVI, AV+Looping, DVI+AV+Looping, HD-SDI, BNC(PAL/NTSC)



Optical Bonding Options

- Optical Bonding provides the best reduction of ambient light washout of any commercially available enhancement technology.
- Optical Bonding has a lower cost than most other competing technologies.
- Optical Bonding offers superior ruggedization, enhancing the display durability under vibration, shock and other environmental extremes.



RS-232 Remote Control Options

Remote Control Protocol: Command Code to set system



9-36V DC Input Options

iTech offers a selection of DC input from 9V to 36V



Light Sensor and Motion Sensor Options
iTech LCD offers Light and Motion Sensor

Privacy Filter

Front Glass Options:

- Anti Reflective AR Glass 3mm
- Anti Reflective AR Glass 6mm Vandal-Resistance
- Anti Reflective AR Glass 8mm Vandal-Resistance
- Anti Glare AG Glass 3mm