



# Model: EPMW1700HD-TR

Panel Mount, 17" LCD monitor,  
1920x1200, CCFL 200 nits, VGA input  
with Resistive Touch

**EPM Series:** Industrial Panel Mount Metal Housing LCD Monitor  
(Optional Integrated Touchscreen/Front IP65/NEMA4x/Front Stainless steel bezel and more...)

## Features Highlights:



Metal 5mm Panel Mount for easy installation with stud mount and Clamps mount  
(Optional for Front AR Glass or Vandal Resistant glass)

Optional for Resistive/ Capacitive/ SAW/ IR/ Projective Capacitive Touch screen

Auto Video Signal ON / OFF  
Auto Always Power On

Optional Stainless steel Bezel 3mm thick



Optional Integrated IP65 Front Panel Mount with water proof sealed Gasket



Side OSD buttons can prevent unnecessary setting changes.

VESA Mounting Hole Pattern

Reliable built-in Power supply for 15" or above  
(Optional for 9-36V DC input)



Standard VGA Input  
(Optional for DVI. HDMI, AV, BNC, AV looping and SDI)

Optional for RS232 Remote Control Protocol: Command Code to set system

**Model: EPMW1700HD**



**Features:**

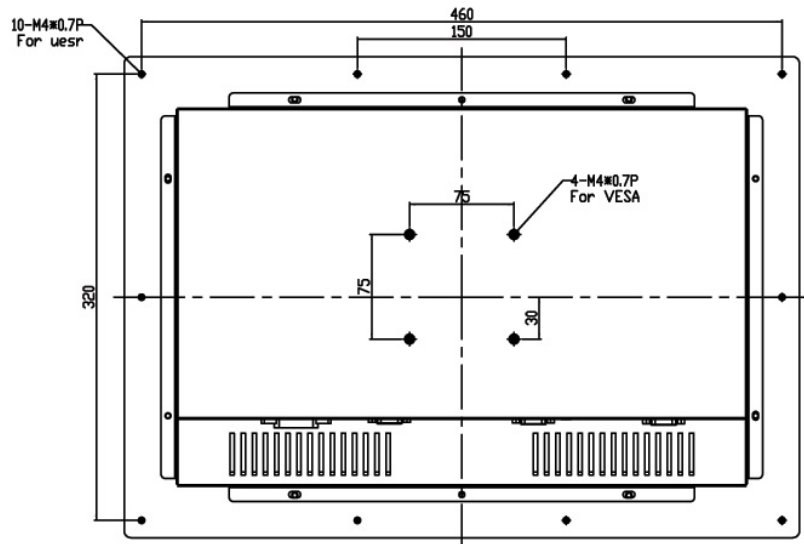
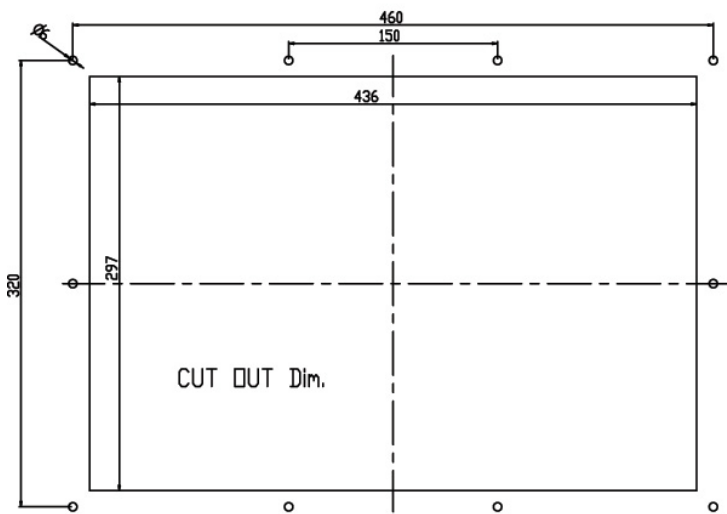
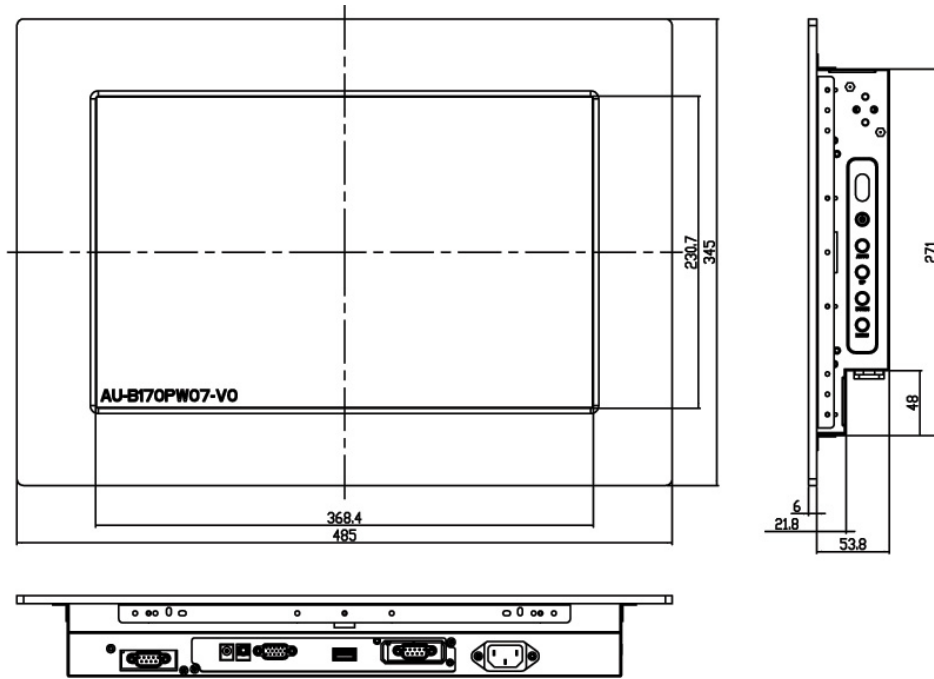
- Modularize mechanical design provides flexible product configuration and easy maintenance
- Available with auto-brightness sensor offers application in day and night
- Optional build-in touch screen for interactive application
- VGA connector with optional AV.SV.AV-Looping
- Complete custom design/solution for OEM customers

**Specification:**

|                            |  |   |   |
|----------------------------|--|---|---|
| <b>Panel</b>               | Cell Type / Glass Surface  | TFT LCD / Black Anti-Glare, low reflection coating          |   |
|                            | Aspect Ratio / Size  | Wide / 17" viewable diagonal area                           |   |
|                            | Active Area / Pixel Pitch  | 367.2(H) x 229.5(V) mm / 0.255(H) x 0.255(V) mm             |   |
|                            | Native Resolution / Colors   | 1920(H) x 1200(V) / 262 K                                   |   |
|                            | Brightness / Contrast  | 200 cd/m <sup>2</sup> (typ) / 600 : 1                       |   |
|                            | Response Time  | ≤ 16 ms   |   |
|                            | Viewing Angle (typical)  | H.130° (- 65o ~ + 65o) , V. 100o(- 50o ~ + 50o)             |   |
|                            | Light Source   | CCFL backlight, Long life, 50,000 hrs (typ)                 |   |
| <b>Input Sources</b>       | PC System  | Signal  | Analog RGB (0.7/1.0 V <sub>p-p</sub> , 75 ohms)         |
|                            |  | Sync  | Separate Sync, Composite Sync, Sync On Green            |
|                            |  | Frequency   | F <sub>h</sub> : 30 - 82Khz , F <sub>v</sub> : 50 -75Hz |
|                            | Audio System   | 2W speaker x 2  |   |
| <b>Input Terminals</b>     | 1 x VGA (15 Pin Female D-Sub) , 1 x PC Audio (Stereo Headphone Jack) , 1 x DC Power Plug |   |   |
| <b>Convenient Features</b> | Auto Calibration , Back Light Adjustment , Plug&Play (VESA DDC/CI, DDC 2B)               |   |   |
|                            | OSD Multi-Languages , Wall Mount Ready (VESA Dimension - please refer to Drawing)        |   |   |
| <b>Power</b>               | Internal power supply with universal / Auto-Sensing, AC90 to 260V, 50/60 Hz              |   |   |
| <b>Power Consumption</b>   | Operation / Power Saving   | 14.15 watt , < 1 watt (Support DPMS)                        |   |
| <b>Operating Condition</b> | Temperature / Humidity   | 0°C ~ 50°C (32°F ~ 122°F) , 10% ~ 90% (no condensation)     |   |
| <b>Storage Condition</b>   | Temperature / Humidity   | - 20°C ~ 60°C (- 4°F ~ 140°F) , 10% ~ 90% (no condensation) |   |
| <b>Certification</b>       | FCC , CE   |   |   |
| <b>Dimensions</b>          | Physical   | Please refer to Drawing                                     |   |
|                            | Carton   | W x H x D = TBD   |   |
| <b>Weight</b>              | N.W. / G.W.  | 4.5 Kgs / 5.5 Kgs   |   |
| <b>Container Loaded</b>    | 20ft / 40ft / 40ft HQ  | TBD (Sets , By pallet)                                      |   |

|                |                  |                      |                          |                              |
|----------------|------------------|----------------------|--------------------------|------------------------------|
| <b>Options</b> | Touch            | Video / TV           | Enhanced Panel           | Others                       |
|                | Resistive touch  | SV + AV              | Panel with LED backlight | Digital Signage(Stand alone) |
|                | Capacitive touch | SV + AV + AV Looping | High brightness panel    | Networking Digital Signage   |
|                | SAW touch        | SV + AV + TV         | Wide Temperature         | Motion Sensor                |
|                | Infrared touch   |                      | Sunlight Readable        | Light Sensor                 |
|                | Protected glass  |                      |                          | Auto-Dimming                 |

# Mechanical Drawing:



## LCD Options:



### LED Backlight Options

Introducing LED backlight options for monitors for energy efficiency and a brighter screen.



### TouchScreen Options

Our LCD has a wide selection option to choose which touchscreen technology suits for you.

|                        | Four-Wire Resistive  | Five-Wire Resistive  | Pen Touch  | Capacitive   | Surface Wave(Saw)  | Infrared Touch (Ir)  |
|------------------------|--|--|--|--|--|--|
| PRODUCT SIZE           | 1.7" - 24"   | 10.4" - 24"  | 15" - 19"  | 12" - 24"  | 10.4" - 30"  | 10.4" - 42"  |
| TOUCH LIFE             | 1 - 2 million touches  | 30 - 35million touches   | 100 million touches  | 100 million touches  | 50 million touches   | Long-term reliability  |
| SCRATCH RESISTANCE     | Hard Coated  | Hard Coated  | Hard Coated (SiO <sup>2</sup> )  | Hard Coated (SiO <sup>2</sup> )  | Glass Overlay<br>Moh's hardness rating of 7                                | Glass Overlay<br>Moh's hardness rating of 7                                |
| CONTAMINANT RESISTANCE | Resists moisture, dirt, vinegar, ammonia based food products and cleansers | Resists moisture, dirt, vinegar, ammonia based food products and cleansers | Resists moisture, dirt, vinegar, ammonia based food products and cleansers | Resists moisture, dirt, vinegar, ammonia based food products and cleansers | Resists moisture, dirt, vinegar, ammonia based food products and cleansers | Resists moisture, dirt, vinegar, ammonia based food products and cleansers |
| INPUT METHOD           | Finger, Gloved Hand, Stylus  | Finger, Gloved Hand, Stylus  | Stylus Pen   | Finger   | Finger, Gloved Hand, Soft pliable stylus                                   | Finger, Gloved Hand, Stylus  |
| CONTROLLER             | USB, RS232   | USB, RS232   | USB, RS232   | USB, RS232   | USB, RS232   | USB, RS232   |



### VIDEO Input Options:

For Video inputs options:

DVI, DVI+HDMI, SVideo+AV, SVideo+AV+DVI, AV+Looping, DVI+AV+Looping, HD-SDI, BNC(PAL/NTSC)



### Optical Bonding Options

- Optical Bonding provides the best reduction of ambient light washout of any commercially available enhancement technology.
- Optical Bonding has a lower cost than most other competing technologies.
- Optical Bonding offers superior ruggedization, enhancing the display durability under vibration, shock and other environmental extremes.



### RS-232 Remote Control Options

**Remote Control Protocol: Command Code to set system**



### 9-36V DC Input Options

iTech offers a selection of DC input from 9V to 36V



**Light Sensor and Motion Sensor Options**  
iTech LCD offers Light and Motion Sensor

### Privacy Filter

Front Glass Options:

- Anti Reflective AR Glass 3mm
- Anti Reflective AR Glass 6mm Vandal-Resistance
- Anti Reflective AR Glass 8mm Vandal-Resistance
- Anti Glare AG Glass 3mm

