

# Full IP66 Panel Mount Dust and Waterproof LCD



IP66 Panel Mount(OSD front), 21.5" LCD monitor, 1920 x 1080, LED 250 nits, VGA input, w/o-Speaker, w/ Ext. Adapter, IP66 cables with 10 points Projective Capacitive Touch (1-2mm) USB Controller (Model: EPMF6-W2150-PCT10)



All Weather



Powerful Water Jets Protected



Extended Temperature



Vibration Safeguards



Shock Safeguards



Low Power

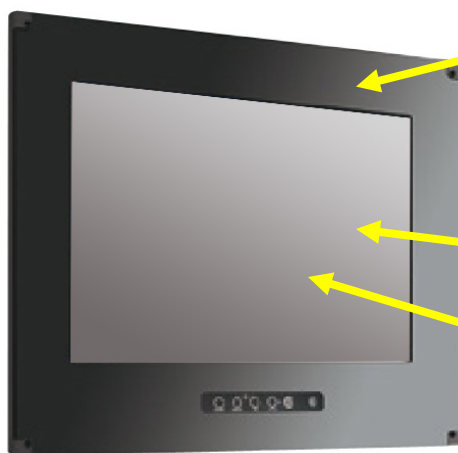


Wide Viewing

## Features:

- Modular mechanism design provides flexible product configuration and easy maintenance.
- Optional to built-in touch screen for interactive application.
- Available with auto-brightness sensor offers application in day and night.
- IP66 Compliant
- Able to protect against powerful water jets
- Complete custom design/solution for OEM customers

## Rugged Completely Sealed IP66/NEMA4X Panel Mount LCD Monitor



Water Proof Solution, Full IP NEMA4X Rating front and back

Aluminum Housing Panel Mount Design

AR Glass Protective Glass at front

Optional High Brightness and Touch screen

\* IP66 Water and Dust proof connection for a higher protection

\* All Connectors are facing backward



## Specification:

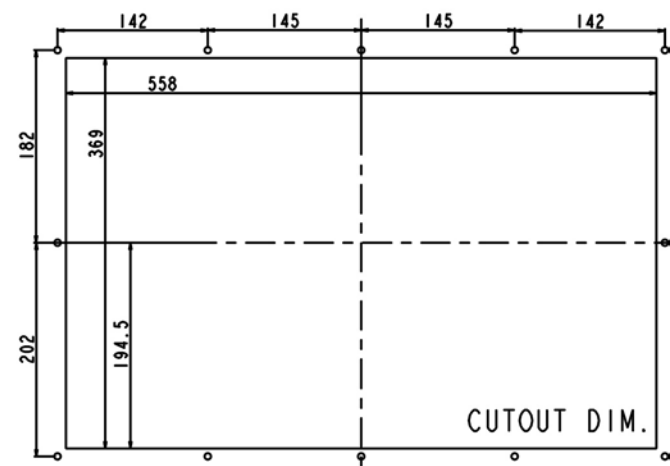
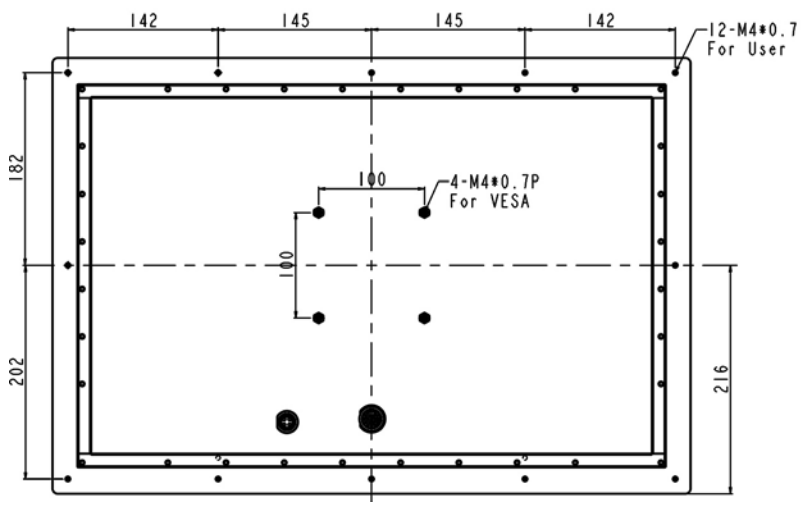
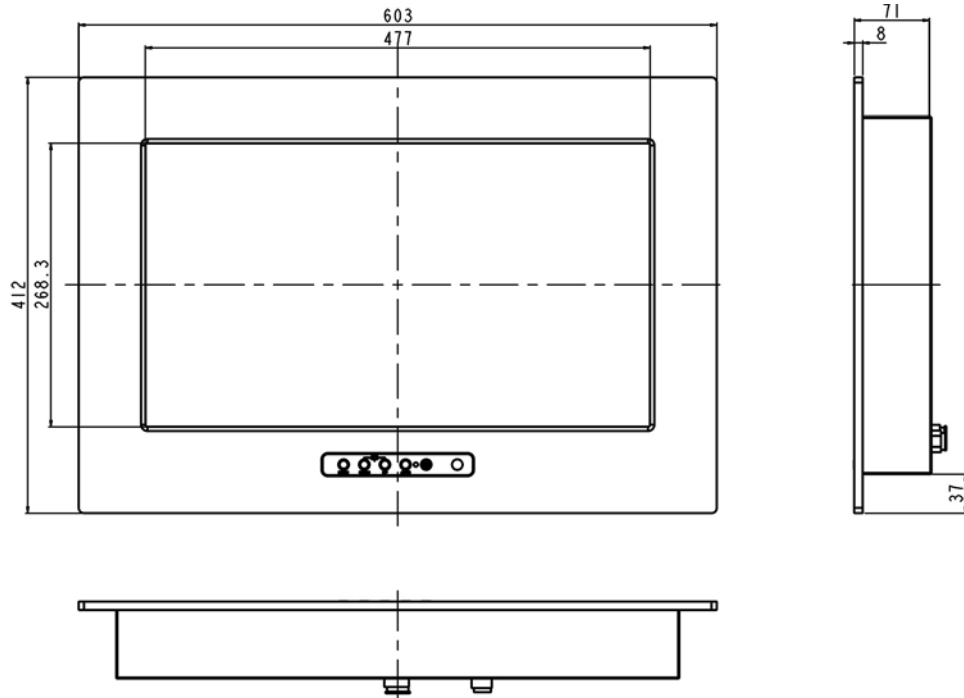
|                            |   |   |   |
|----------------------------|---|---|---|
| <b>Panel</b>               | Cell Type / Glass Surface   | TFT LCD / Black Anti-Glare, low reflection coating          |   |
|                            | Aspect Ratio / Size   | Wide / 21.5" viewable diagonal area                         |   |
|                            | Active Area / Pixel Pitch   | 476.64(H) x 268.11(V) mm / 0.248(H) x 0.248(V) mm           |   |
|                            | Native Resolution / Colors  | 1920(H) x 1080(V) / 16.7M                                   |   |
|                            | Brightness / Contrast   | 250 cd/m <sup>2</sup> (typ) / 1000 : 1                      |   |
|                            | Response Time   | < 5 ms  |   |
|                            | Viewing Angle (typical)   | H.170° (- 85o ~ + 85o) , V. 160o(- 80o ~ + 80o)             |   |
|                            | Light Source  | LED backlight, Long life, 35,000 hrs (typ)                  |   |
| <b>Input Sources</b>       | PC System   | Signal  | Analog RGB (0.7/1.0 V <sub>p-p</sub> , 75 ohms)         |
|                            |   | Sync  | Separate Sync, Composite Sync, Sync On Green            |
|                            |   | Frequency   | F <sub>H</sub> : 30 - 82Khz , F <sub>V</sub> : 50 -75Hz |
|                            | Audio System  | 2W speaker x 2  |   |
| <b>Input Terminals</b>     | 1 x VGA (15 Pin Female D-Sub) , 1 x PC Audio (Stereo Headphone Jack) , 1 x DC Power Plug    |   |   |
| <b>Convenient Features</b> | Auto Calibration , Back Light Adjustment , Plug&Play (VESA DDC/CI, DDC 2B)                  |   |   |
|                            | OSD Multi-Languages , Wall Mount Ready (VESA Dimension - please refer to Drawing)           |   |   |
| <b>Power</b>               | External AC-to-12VDC power adapter with universal / Auto-Sensing, AC 90 to 260V, 50 / 60 Hz |   |   |
| <b>Power Consumption</b>   | Operation / Power Saving  | 26.25 watt , < 1 watt (Support DPMS)                        |   |
| <b>Operating Condition</b> | Temperature / Humidity  | 0°C ~ 50°C (32°F ~ 122°F) , 10% ~ 90% (no condensation)     |   |
| <b>Storage Condition</b>   | Temperature / Humidity  | - 20°C ~ 60°C (- 4°F ~ 140°F) , 10% ~ 90% (no condensation) |   |
| <b>Certification</b>       |   | FCC , CE  |   |
| <b>Dimensions</b>          | Physical  | Please refer to Drawing                                     |   |
|                            | Carton  | W x H x D = TBD   |   |
| <b>Weight</b>              | N.W. / G.W.   | 8 Kgs / 9 Kgs   |   |
| <b>Container Loaded</b>    | 20ft / 40ft / 40ft HQ   | TBD (Sets , By pallet)                                      |   |

| <b>Options</b> | Touch            | Video / TV           | Enhanced Panel           | Others                       |
|----------------|------------------|----------------------|--------------------------|------------------------------|
|                | Resistive touch  | SV + AV              | Panel with LED backlight | Digital Signage(Stand alone) |
|                | Capacitive touch | SV + AV + AV Looping | High brightness panel    | Networking Digital Signage   |
|                | SAW touch        | SV + AV + TV         | Wide Temperature         | Motion Sensor                |
|                | Infrared touch   |                      | Sunlight Readable        | Light Sensor                 |
|                | Protected glass  |                      |                          | Auto-Dimming                 |

## Applications:

- Automation
- Batch Processing
- Commercial Broadcast Operations
- Man Machine Interface (MMI) Operation
- Electronic Flight Bag (EFB)
- Food Processing
- GPS Mapping Systems
- Inspection Systems

Mechanical Drawing:



## LCD Options:

**LED Backlight Options**

Introducing LED backlight options for monitors for energy efficiency and a brighter screen.

**VIDEO Input Options:**

For Video inputs options:

DVI, DVI+HDMI, SVideo+AV, SVideo+AV+DVI, AV+Looping, DVI+AV+Looping, HD-SDI, BNC(PAL/NTSC)

**Optical Bonding Options**

- Optical Bonding provides the best reduction of ambient light washout of any commercially available enhancement technology.
- Optical Bonding has a lower cost than most other competing technologies.
- Optical Bonding offers superior ruggedization, enhancing the display durability under vibration, shock and other environmental extremes.

**RS-232 Remote Control Options**

**Remote Control Protocol: Command Code to set system**

**9-36V DC Input Options**

iTech offers a selection of DC input from 9V to 36V

**Light Sensor and Motion Sensor Options**

iTech LCD offers Light and Motion Sensor

**Privacy Filter**

Front Glass Options:

- Anti Reflective AR Glass 3mm
- Anti Reflective AR Glass 6mm Vandal-Resistance
- Anti Reflective AR Glass 8mm Vandal-Resistance
- Anti Glare AG Glass 3mm