

Full IP66 Stainless Steel Chassis Mount Dust and Waterproof LCD



Full IP66/NEMA4X Stainless Steel Chassis Mount 19" LCD monitor,
1280 x 1024, LED 250 nits, VGA input with 10 points Projective
Capacitive Touch (1-2mm) USB Controller
(Model: ECH6-1900-PCT10)



**Powerful
Water Jets
Protected**



**Vibration
Safeguards**



**Shock
Safeguards**



**Low
Power**

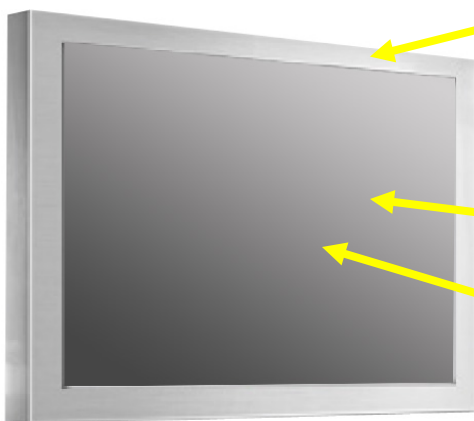


**Wide
Viewing**

Features:

- Modular mechanism design provides flexible product configuration and easy maintenance.
- Optional to built-in touch screen for interactive application.
- Available with auto-brightness sensor offers application in day and night.
- Stainless Steel Enclosure
- IP66 Compliant
- Able to protect against powerful water jets
- Complete custom design/solution for OEM customers

Rugged Completely Sealed IP66/NEMA4X Chassis/Surface Mount LCD Monitor



**Water Proof Solution,
Full IP NEMA4X Rating
front and back**

**Stainless Steel Housing
Chassis Design**

**AR Glass
Protective Glass at
front**

**Optional High
Brightness and
Touch screen**

*** IP66 Water and Dust proof
connection for a higher protection**

*** All Connectors are facing backward**



Specification:

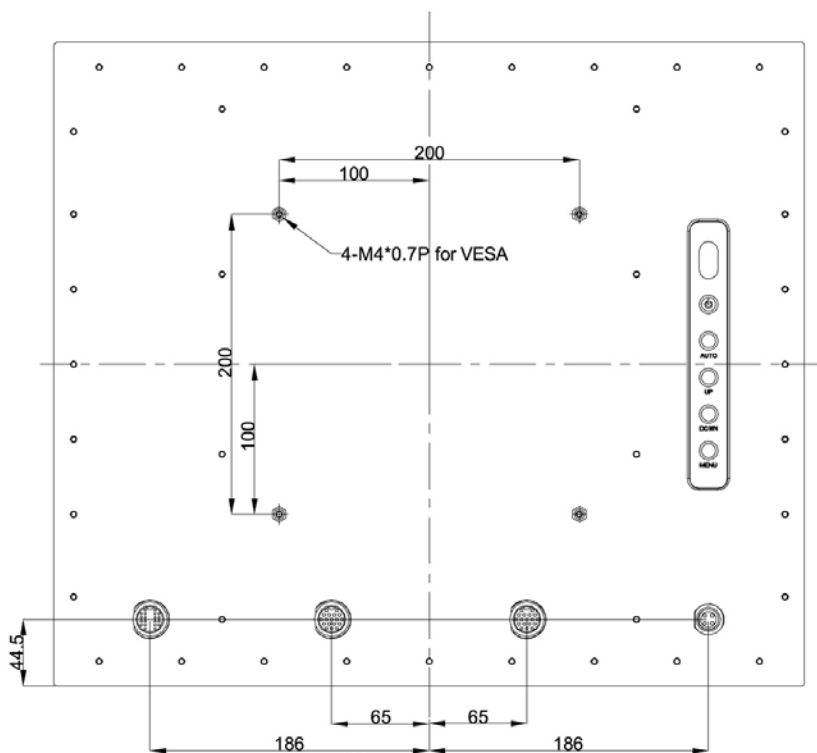
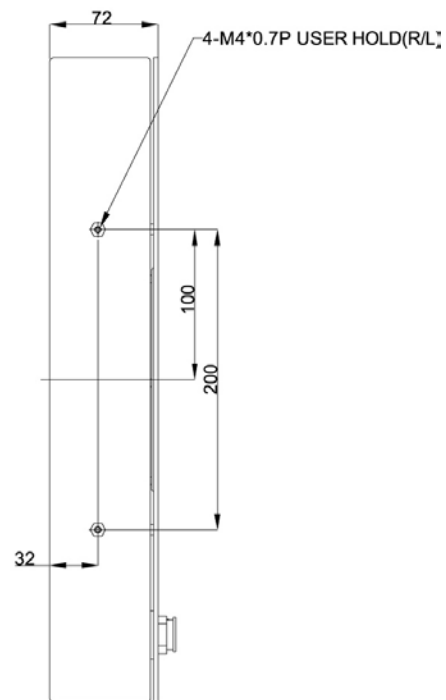
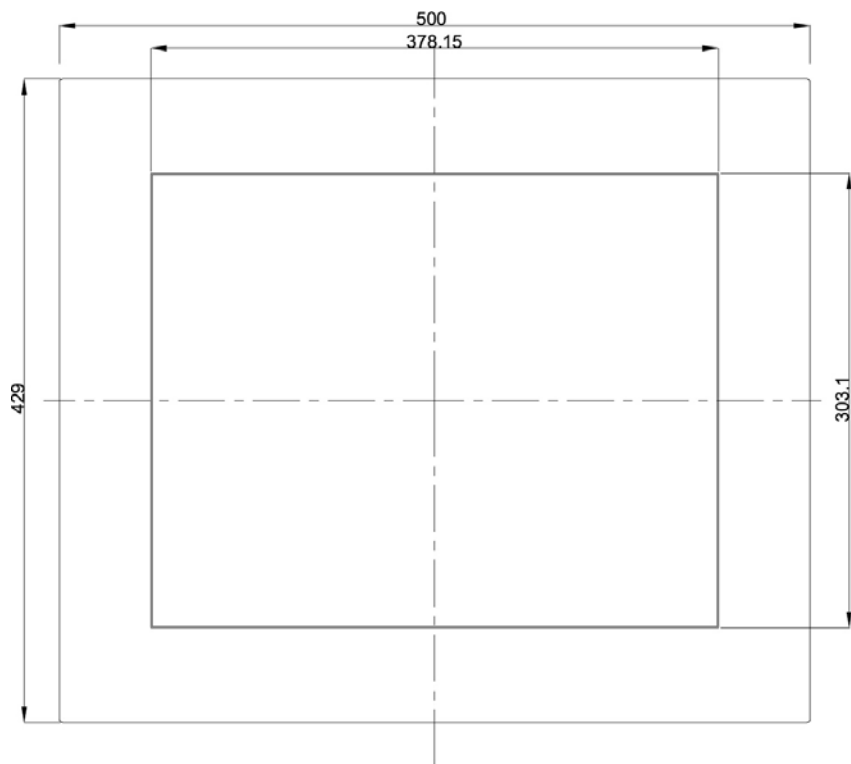
| | | | |
|----------------------------|---|---|---|
| Panel | Cell Type / Glass Surface | TFT LCD / Black Anti-Glare, low reflection coating | |
| | Aspect Ratio / Size | 5 : 4 / 19" viewable diagonal area | |
| | Active Area / Pixel Pitch | 376.3(H) x 301.1(V) mm / 0.294(H) x 0.294(V) mm | |
| | Native Resolution / Colors | 1280(H) x 1024(V) / 16.7 M | |
| | Brightness / Contrast | 250 cd/m ² (typ) / 800 : 1 | |
| | Response Time | < 5 ms | |
| | Viewing Angle (typical) | H. 170o (- 85o ~ + 85o) , V. 160o(- 80o ~ + 80o) | |
| | Light Source | LED backlight, Long life, 35,000 hrs (typ) | |
| Input Sources | PC System | Signal | Analog RGB (0.7/1.0 V _{p-p} , 75 ohms) |
| | | Sync | Separate Sync, Composite Sync, Sync On Green |
| | | Frequency | F _h : 30 - 82Khz , F _v : 50 -75Hz |
| | Audio System | 2W speaker x 2 | |
| Input Terminals | 1 x VGA (15 Pin Female D-Sub) , 1 x PC Audio (Stereo Headphone Jack) , 1 x DC Power Plug | | |
| Convenient Features | Auto Calibration , Back Light Adjustment , Plug&Play (VESA DDC/CI, DDC 2B) | | |
| | OSD Multi-Languages , Wall Mount Ready (VESA Dimension - please refer to Drawing) | | |
| Power | External AC-to-12VDC power adapter with universal / Auto-Sensing, AC 90 to 260V, 50 / 60 Hz | | |
| Power Consumption | Operation / Power Saving | 32.5 watt , < 2 watt (Support DPMS) | |
| Operating Condition | Temperature / Humidity | 0°C ~ 50°C (32°F ~ 122°F) , 10% ~ 90% (no condensation) | |
| Storage Condition | Temperature / Humidity | - 20°C ~ 60°C (- 4°F ~ 140°F) , 10% ~ 90% (no condensation) | |
| Certification | FCC , CE | | |
| Dimensions | Physical | Please refer to Drawing | |
| | Carton | W x H x D = TBD | |
| Weight | N.W. / G.W. | 6 Kgs / 7 Kgs | |
| Container Loaded | 20ft / 40ft / 40ft HQ | TBD (Sets , By pallet) | |

| Options | Touch | Video / TV | Enhanced Panel | Others |
|---------|------------------|----------------------|--------------------------|------------------------------|
| | Resistive touch | SV + AV | Panel with LED backlight | Digital Signage(Stand alone) |
| | Capacitive touch | SV + AV + AV Looping | High brightness panel | Networking Digital Signage |
| | SAW touch | SV + AV + TV | Wide Temperature | Motion Sensor |
| | Infrared touch | | Sunlight Readable | Light Sensor |
| | Protected glass | | | Auto-Dimming |

Applications:

- Automation
- Batch Processing
- Commercial Broadcast Operations
- Man Machine Interface (MMI) Operation
- Electronic Flight Bag (EFB)
- Food Processing
- GPS Mapping Systems
- Inspection Systems

Mechanical Drawing:



LCD Options:



LED Backlight Options

Introducing LED backlight options for monitors for energy efficiency and a brighter screen.



VIDEO Input Options:

For Video inputs options:

DVI, DVI+HDMI, SVideo+AV, SVideo+AV+DVI, AV+Looping, DVI+AV+Looping, HD-SDI, BNC(PAL/NTSC)



Optical Bonding Options

- Optical Bonding provides the best reduction of ambient light washout of any commercially available enhancement technology.
- Optical Bonding has a lower cost than most other competing technologies.
- Optical Bonding offers superior ruggedization, enhancing the display durability under vibration, shock and other environmental extremes.



RS-232 Remote Control Options

Remote Control Protocol: Command Code to set system



9-36V DC Input Options

iTech offers a selection of DC input from 9V to 36V



Light Sensor and Motion Sensor Options

iTech LCD offers Light and Motion Sensor

Privacy Filter

Front Glass Options:

- Anti Reflective AR Glass 3mm
- Anti Reflective AR Glass 6mm Vandal-Resistance
- Anti Reflective AR Glass 8mm Vandal-Resistance
- Anti Glare AG Glass 3mm