



## Model: ECHS2800

Stretch Display, Chassis 28" LCD monitor, 1920x360, LED-600nits, VGA input, WV 178°/178°, (1/3 cut of 1920x1080)

**ECHS Series:** Industrial Chassis Wall/Surface Mount Metal Housing LCD Monitor  
 (Optional Integrated Touch Screen/PC/ DC Input/ Front NEMA4x/Front Stainless steel bezel and more...)

### Feature Highlights:

- Metal Chassis/Housing for higher Impact protection. (Optional for Front AR Glass or Vandal Resistant glass)
- Built-in speaker built-in speakers that allow the convenience Audio output.
- Side OSD buttons can prevent unnecessary setting changes.
- Above 24" LCD will include Front IR Sensor and Remote controller.
- Auto Video Signal ON / OFF
- Auto Always Power On

- Ultra low speed/Noise fan for extra cooling (24" LCD or above)
- VESA Mounting Hole Pattern
- Reliable built-in Power supply for 15" or above (Optional for 9-36V DC input)
- Standard VGA Input (Optional for DVI, HDMI, AV, BNC, AV looping and SDI)
- Optional for RS232 Remote Control Protocol: Command Code to set system



## Features:

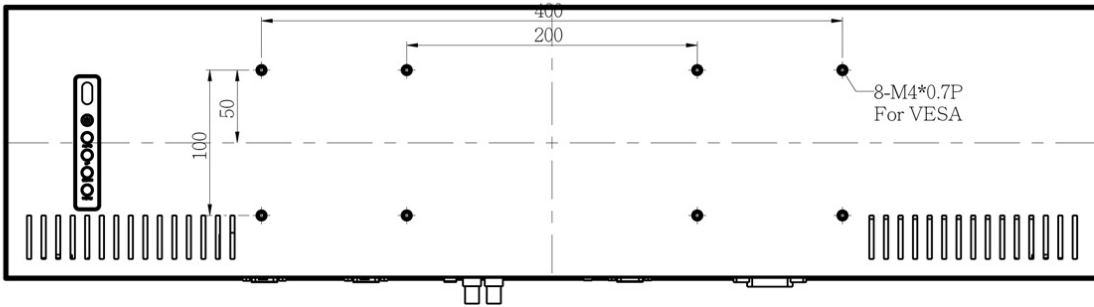
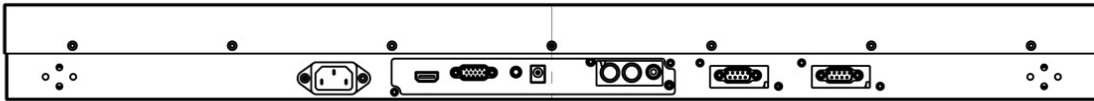
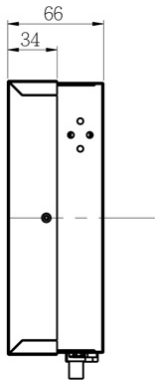
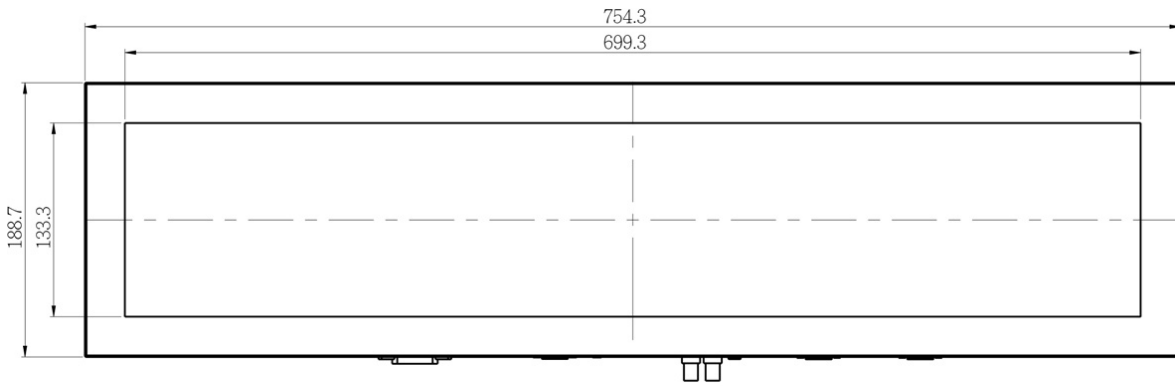
- Modular mechanism design provides flexible product configuration and easy maintenance.
- Optional with auto-brightness sensor offers application in day and night
- Optional to built-in PC eliminates external box

## Specification:

<b>Panel</b>	Cell Type / Glass Surface	TFT LCD / Black Anti-Glare, low reflection coating	
	Size	28" viewable diagonal area	
	Active Area / Pixel Pitch	698.3(H) x 130.9(V) / 0.3637 (H) x 0.3637(W)	
	Native Resolution / Colors	1,920x360 / 16.7 Million	
	Brightness / Contrast	600 cd/m <sup>2</sup> (typ) / 2000 : 1	
	Response Time	≤ 8 ms (G-to-G)	
	Viewing Angle (typical)	H. 178o (- 89o ~ + 89o) , V. 178o(- 89o ~ + 89o)	
	Light Source	LED Backlight, Long life, 35,000 hrs (typ)	
<b>Input Sources</b>	PC System	Signal	Analog RGB (0.7/1.0 V <sub>p-p</sub> , 75 ohms)
		Sync	Separate Sync, Composite Sync, Sync On Green
		Frequency	F <sub>h</sub> : 30 - 82Khz , F <sub>v</sub> : 50 -75Hz
	Audio System	2W Amplifier	
<b>Input Terminals</b>	1 x VGA (15 Pin Female D-Sub) , 1 x PC Audio (Stereo Headphone Jack) , 1 x DC Power Plug		
<b>Convenient Features</b>	Auto Calibration , Back Light Adjustment , Plug&Play (VESA DDC/CI, DDC 2B)		
	OSD Multi-Languages , Wall Mount Ready (VESA 100 x 100 mm)		
<b>Power</b>	External AC-to-12VDC power adapter with universal / Auto-Sensing, AC 90 to 260V, 50 / 60 Hz		
<b>Power Consumption</b>	Operation / Power Saving	30 watt , < 2 watt (Support DPMS)	
<b>Operating Condition</b>	Temperature / Humidity	0°C ~ 50°C (32°F ~ 122°F) , 10% ~ 90% (no condensation)	
<b>Storage Condition</b>	Temperature / Humidity	- 20°C ~ 60°C (- 4°F ~ 140°F) , 10% ~ 90% (no condensation)	
<b>Certification</b>	FCC , CE		
<b>Dimensions</b>	Physical	With Base(W x H x D) : TBD	
		Without Base(W x H x D) : TBD	
	Carton	W x H x D = TBD	
<b>Weight</b>	N.W. / G.W.	3.0 Kgs / 4.0 Kgs	
<b>Container Loaded</b>	20ft / 40ft / 40ft HQ	816 / 1632 / NA (Sets , By pallet)	

<b>Options</b>	Video / TV	Others
	SV + AV	Digital Signage(Stand alone)
	SV + AV + AV Looping	Networking Digital Signage
	SV + AV + TV	Motion Sensor
		Light Sensor
		Auto-Dimming

Mechanical Drawing:



## LCD Options:



### LED Backlight Options

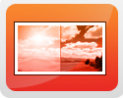
Introducing LED backlight options for monitors for energy efficiency and a brighter screen.



### VIDEO Input Options:

For Video inputs options:

DVI, DVI+HDMI, SVideo+AV, SVideo+AV+DVI, AV+Looping, DVI+AV+Looping, HD-SDI, BNC(PAL/NTSC)



### Optical Bonding Options

- Optical Bonding provides the best reduction of ambient light washout of any commercially available enhancement technology.
- Optical Bonding has a lower cost than most other competing technologies.
- Optical Bonding offers superior ruggedization, enhancing the display durability under vibration, shock and other environmental extremes.



### RS-232 Remote Control Options

**Remote Control Protocol: Command Code to set system**



### 9-36V DC Input Options

iTech offers a selection of DC input from 9V to 36V



### Light Sensor and Motion Sensor Options

iTech LCD offers Light and Motion Sensor

### Privacy Filter

Front Glass Options:

- Anti Reflective AR Glass 3mm
- Anti Reflective AR Glass 6mm Vandal-Resistance
- Anti Reflective AR Glass 8mm Vandal-Resistance
- Anti Glare AG Glass 3mm