



Model: WKP120-16e

1U 20" Rackmount LCD Keyboard / KVM Drawer

Features:

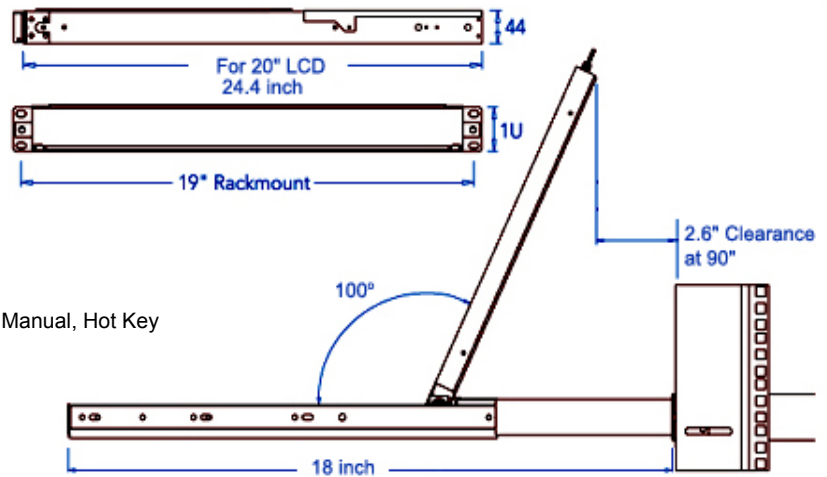
- WKP Series 1U Rackmount 20.1" LCD w/ 16 KVM
- Support Microsoft Intellimouse, Microsoft Intellimouse Explorer, Logitech Net Mouse or the other fully compatible MS mouse.
- Support DOS, Win3.X, Win95/98/98SE/2000/ME/XP, WinNT, Netware, Unix, Linux
- Support iMAC, Power MAC and Sun Microsystems
- Hot Plug - Add PCs or Remove Connected PCs for Maintenance w/o Powering Down the KVM switch or PCs.
- Support Sun Micro System 1152 x 900 resolution
- No Software Required - easy PC selection via On Screen Display Manual, Push Buttons, Hot Keys
- Support eight characters password protection and search PC server name
- Auto Scan Mode for monitoring PCs and flexible Scan time from 5~99 seconds
- Auto LCD Shut off when Display when LCD in closed position
- Keyboard status restored when switching PCs
- Buzzer sound for switching port confirmation
- LED Display for easy status monitoring
- Easy Installation by "ONE" Person

KVM Switch Features

- Use One KVM Console to control 16 PCs
- Automatic KVM signal simulation, able to boot-up PC simultaneously
- Support advanced function of Logitech and Microsoft mouse
- Support Plug & Play, Software free
- Support DDC2B, correct Monitor type detection for each port at any time
- Compatible with MS-DOS, Windows, Linux, Unix, Free BSD
- VGA resolution up to 2048x1536
- Front panel, hot-key, and full-function OSD menu for PC selection
- Cascadable to expand the connected PCs
- Keyboard/Video Monitor/Mouse signal RESET function
- Automatic KVM type detection for optimum setup
- Auto Scan monitoring function Integrated HD15 3-in-1 KVM cable, easy connect and save space

Technical Specifications (Model: WKP120-16e)

PC Port	16 Port
Console Port	1
Keyboard Emulation	PS2 & USB
Mouse Emulation	PS2 & USB
PC selection	On Screen Display Manual, Hot Key
On Screen Display Control	Yes
Scan Intervals	5~99 Sec.
Bandwidth	200MHz
MAX PC Connection	64
Housing	Metal
PC Port Connector (All Female Type)	HDDB 15pin (shared with VGA, PS2 keyboard and Mouse)
Console Port Connector (All male Type)	VGA DB 15pin (For test only)+PS/2*2(Keyboard+Mouse)
VGA Resolution	Max 1920X1440 (Limited by TFT LCD monitor)
Dimensions	17.4 (W) x 1.75(H) x 24.5 (D)
Weight (Net/Gross)	30 / 47 (lbs)
Power in	DC 12V 4A (with one AC to DC power Adapter)
Operation Temperature	0~50°
Storage Temperature	-20 ~ 60°C
Humidity	10~90%, Non-Condensing
KB Slide Away Distance	17.5"(D)
Size	19" Rack Mount / 1U



LCD Monitor Specifications

Model No.	20.1"
Resolution	1600 x1200
Display Color	16.7M
Contrast	700
Luminance	250cd/ ²
Viewing Angle	H 85/85, V 85/85
Operation Temperature	0~50°
Storage Temperature	-20 ~ 60 ° C
Humidity	8~95%