

Telnet and Dial-Up -48V DC Power Switch

Remote Power Control For High Amperage Switches and Routers!



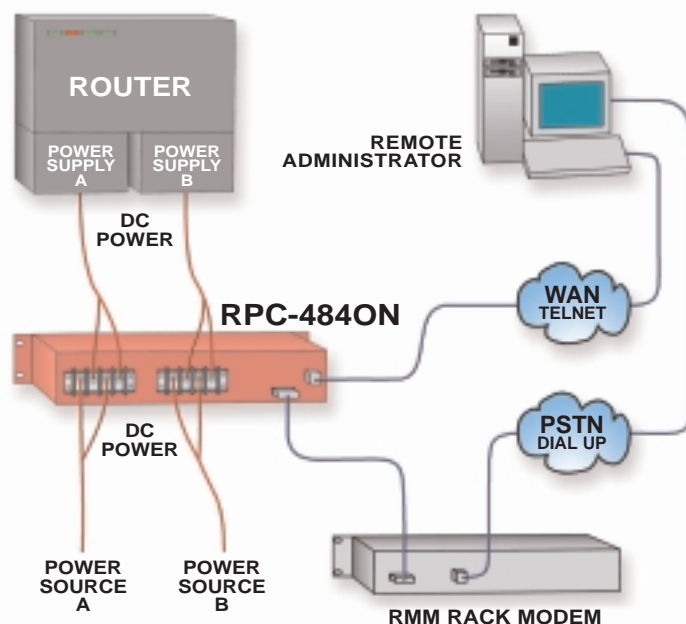
Features:

- Dual -48V DC 40 Amp Circuits
- On/Off/Reboot Switching
- Integral 10Base-T Interface
- RS232 Modem and Console Ports
- Outlet-Specific Password Security
- Network Security Features

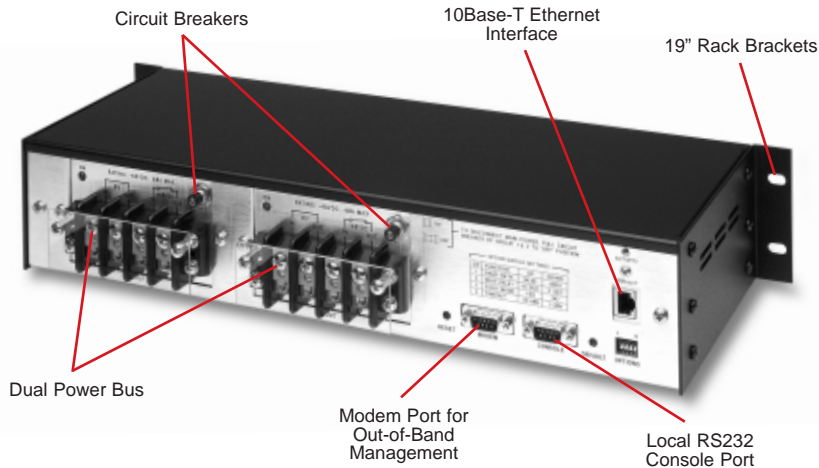
Electronic equipment sometimes "locks-up", requiring a service call just to flip the power switch to do a simple reboot. The Telnet Power Switch gives you the ability to perform this function from anywhere on the LAN/WAN, or if the network is down, to simply dial-in from a modem for out-of-band control.

Intelligent Power Control

The RPC can communicate over any TCP/IP network using standard Telnet, or out-of-band using an external modem and basic VT100 type terminal emulation. Each outlet can be assigned an individual password, device name, reboot delay time and unique power-up default state.



RPC-4840N Heavy Duty DC Network Power Switch



Reliability and Support

The RPC is built in the USA and backed by a two year factory warranty. NetReach™ products are installed in thousands of network sites world wide. Our customers know they can depend on superior quality and reliability for their most mission-critical operations.

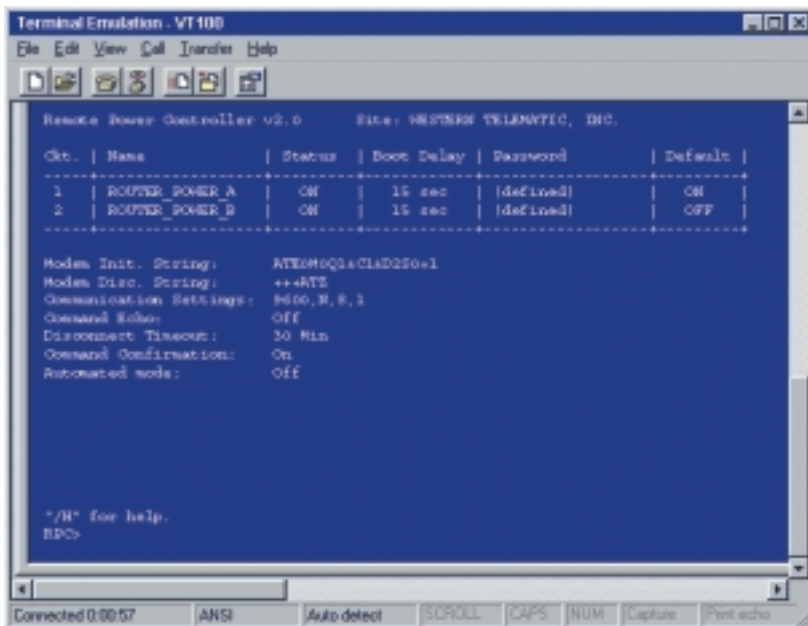
Security Features

Address-Specific IP security masks prevent unauthorized sources accessing the RPC menu through the network. The RPC provides two levels of operational passwords; the system administrator level, which allows access to all configuration and switching functions, and the user level which only allows switching of assigned plugs.

Easy to Configure, Easy to Use

The RPC can be configured over the network, via modem or locally via the console port. Easy to use commands let you assign a location name, set system parameters and view plug status. Outlets can be switched On, Off or Booted using plug numbers or names.

Administrator Status Display



Specifications

Power Input/Output: RPC-4840N (-48V DC)

DC Inputs: Two (2) Bus A & B

Voltage: -48V DC

Connector: Block (2) #8 Screws

Load: 40 Amps Each Bus

Modem and Console Port Interface:

Connector: DB9M, RS232C, DTE

Coding: Serial ASCII, 8 bits, No Parity

Physical / Environmental:

LED Indicators: ON, RDY, RXD,
Outlet ON (1 - 2)

Size: 3.5"H x 19"W x 7.5"D - (2RU)

Weight: 10 Lbs. Shipping Weight

Operating Temperature: 32°F to 122°F

Humidity: 10 - 90% RH,
Non-Condensing

Model Identification:

RPC-4840N: Network Power Switch



western telematic incorporated

5 Sterling • Irvine • California 92618-2517

TOLL FREE (800) 854-7226
TEL (949) 586-9950
FAX (949) 583-9514
EMAIL info@wti.com
WEB www.wti.com

© Copyright 2002 Western Telematic, Incorporated
NetReach is a trademark of
Western Telematic, Incorporated