

## Web Browser Based -48 VDC Power Switch

Control Power on Any -48 VDC  
Powered Device ...  
Via Web Browser, Telnet,  
Modem or Local Terminal!



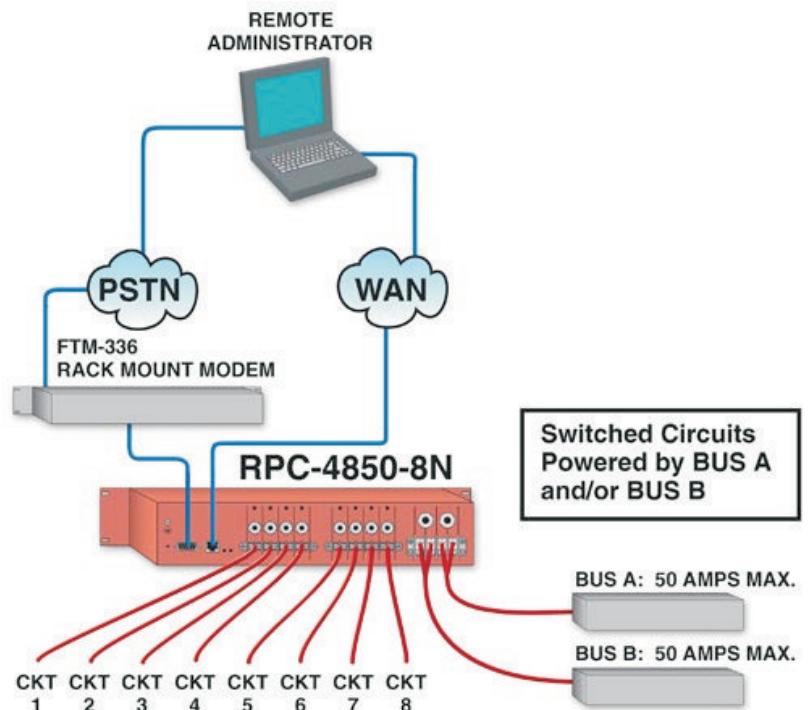
### Applications:

- Remote Power Management and Control
- Reboot Servers, Routers, Switches, Web Cams, Firewalls and Other Remote Devices

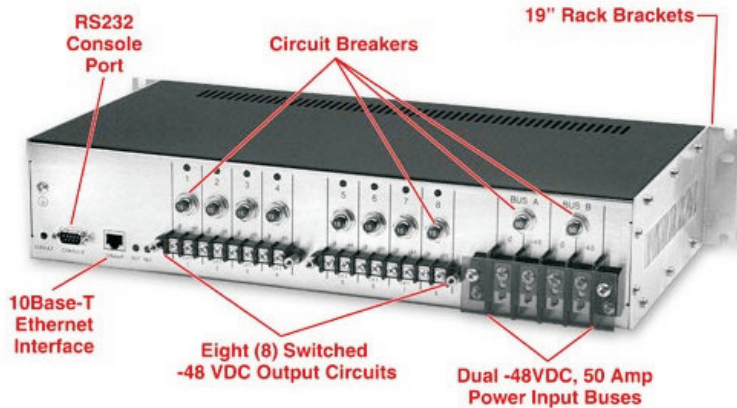
Servers, routers, and other electronic equipment sometimes "lock-up," often requiring a service call to a remote site just to flip the power switch to perform a simple reboot. The RPC-4850-8N Heavy Duty DC Power Switch gives you the ability to perform this function from anywhere; just point your browser to the RPC's IP address, enter the secure password, and you're just a click away from remote power control!

### Features:

- Dual -48 VDC, 50 Amp Input Bus
- Web Browser Access for Easy Setup and Operation
- Encrypted Password Security
- Eight (8) Individual Circuits
- Each Circuit can Switch a 15 Amp Load
- On / Off / Reboot Switching
- IP Addressed 10Base-T Interface
- RS232 Modem / Console Port
- Network Security Features
- Power-Up Sequencing



# RPC-4850-8N Heavy Duty DC Network Power Switch



## Two Convenient User Interfaces

The RPC-4850-8N provides two convenient methods for accessing configuration and control switching functions; The Web Browser Interface and the Command Line Interface. The Web Browser Interface consists of a series of simple, easy-to-use menus that allow you to select configuration parameters or initiate switching operations using your TCP/IP network and a JavaScript enabled web browser. The Command Line Interface is an ASCII menu system, which allows you to configure and operate the RPC via telnet over TCP/IP network, via external modem connection or via local PC using a terminal program such as Hyperterminal or TeraTerm.

## Security Features

Access to command mode is password protected to prevent unauthorized users from invoking sensitive switching and configuration functions. Both the Web Browser Interface and Command Line Interface require the user to enter a password before allowing access. Passwords transmitted via web browser use 64-bit encryption techniques to ensure that passwords remain protected and access to your equipment remains secure. Telnet and HTTP control can be user-defined to a discrete TCP port, or completely turned off to ensure that no unprotected port is present.

## Specifications

### Power Input/Output:

Voltage: -48 VDC

DC Inputs: Two; Bus A and/or Bus B  
50-Amps Max. per Bus

Connector: Terminal Block, #10 Screws

DC Output Circuits: Eight (8)

Connector: Terminal Block, #8 Screws

Load: 15 Amps Max (Total for Circuits One through Eight not to exceed 50 Amps.)

### Control Ports:

Network Port: Ethernet, 10Base-T

Console / Modem Port: DB9M, RS232C, DTE

RS232 Coding: Serial ASCII, 7/8 Bits, No Parity,  
300 - 38,4 Kbps.

### Physical/Environmental:

LED Indicators: ON, RDY, RXD, Circuit ON (1 - 8)

#### Size:

Height: 3.5" (8.9 cm) (2 RU)

Width: 19.0" (48.3 cm)

Depth: 9.5" (24.1 cm)

Weight: 13 Lbs. (5.9 Kg) Shipping Weight

Operating Temperature :  
32°F to 149°F (0°C to 65°C)

Humidity: 10 - 90% RH, Non-Condensing

### Model Identification:

RPC-4850-8N: Heavy Duty DC Network  
Power Switch

## System Status Screen

Circuit	Name	Status	On	Off	Boot	Default
1	Server_1	ON	<input type="radio"/>	<input type="radio"/>	<input type="radio"/>	ON
2	Server_2	ON	<input type="radio"/>	<input type="radio"/>	<input type="radio"/>	ON
3	Router_1	ON	<input type="radio"/>	<input type="radio"/>	<input type="radio"/>	ON
4	Router_2	ON	<input type="radio"/>	<input type="radio"/>	<input type="radio"/>	ON
5	ATM_Switch	ON	<input type="radio"/>	<input type="radio"/>	<input type="radio"/>	ON
6	Ethernet_SW	ON	<input type="radio"/>	<input type="radio"/>	<input type="radio"/>	ON
7	LINUX_1	ON	<input type="radio"/>	<input type="radio"/>	<input type="radio"/>	ON
8	Rack_Modem	ON	<input type="radio"/>	<input type="radio"/>	<input type="radio"/>	ON
All Circuits			<input type="radio"/>	<input type="radio"/>	<input type="radio"/>	



i-Tech Company, LLC

30081 Ahern Ave. • Union City • California 94587

TOLL FREE (888) 483-2418

TEL (510) 579-5792

FAX (510) 372-2736

EMAIL [info@i-techcompany.com](mailto:info@i-techcompany.com)

WEB [www.i-techcompany.com](http://www.i-techcompany.com)