

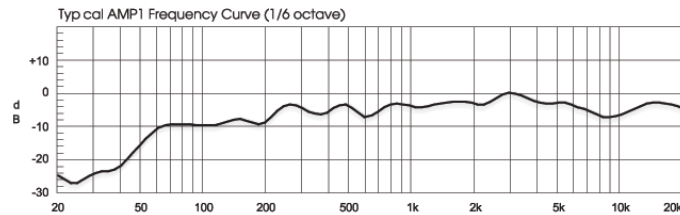
World Leader • In-Rack • Audio & Video Monitoring

WOHLER AMP1A-4S

Compact, High Quality Analog Self-Powered Speaker System - 4 Stereo Channels



January 14, 2004



Features:

- Full Fidelity Audio Monitoring in only 1U of rack space
- 8 Balanced Analog Inputs (4 Stereo, Select 1)
- Balanced Analog Output of Selected Stereo Source
- Powerful 98dB SPL at 2 feet (0.6m)
- Premium Quality Drivers & Power Amplifiers
- Extended Frequency Response and Low Distortion
- Focused Sound, Reduces Adjacent Bay Crosstalk
- Audible Indication of Phase/Polarity Problems
- Thorough Magnetic Shielding for Placement next to Video Monitors
- Headphone Jack, Mutes Speakers
- Blowout Proof Speakers
- Quick and Simple Installation

The AMP1A-4S provides self-powered, full-fidelity stereo audio monitoring in the smallest rack space possible. A front panel switch allows the operator to select one stereo source for monitoring & output from up to 4 stereo analog inputs (8 channels). This unit contains four high performance transducers driven by three power amplifiers: one amplifier/driver combination handles midrange and high frequency information in stereo, while the second handles summed low frequency information below the 500 Hz crossover point.

The unique design provides optimally focused sound for operators in an Ultra Near Field (1 to 3 ft.) working environment and offers performance comparable to that of many separate monitor pairs, yet does so without the installation hassles, awkward speaker placements and "added-on" look. This provides for a higher SPL for the operator while reducing overall ambient sound and adjacent bay crosstalk.

Extended HF response reveals potential problems with audio whine or hiss and electronic rather than acoustic cancellation of bass frequencies provides positive audible detection of out-of-phase (reversed polarity) audio feeds. A headphone jack is provided on the front panel, usage automatically mutes the speakers. Output limiter circuits are incorporated to protect the speakers, and extensive magnetic shielding allows placement immediately adjacent to video monitors with no color impurities.

The AMP1A-4S is ideally suited for use in VTR bays, mobile production vehicles, teleconferencing installations, multimedia systems, satellite link and cable TV facilities, and on-air radio studios. Built and rigorously tested in the USA, the AMP1A-4S is backed by a strong warranty and a "Satisfaction Guaranteed" return policy.

**I-TECH
COMPANY**
www.i-techcompany.com
Toll Free: 1-888-483-2418
USA: 1-510-429-9288
Fax: 1-510-372-2736

Audio Monitoring

Level Metering

Alarm Systems

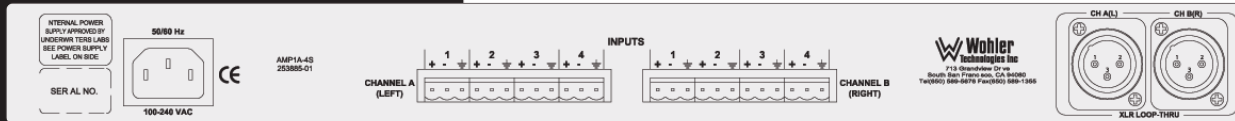
Video Monitoring

Wohler

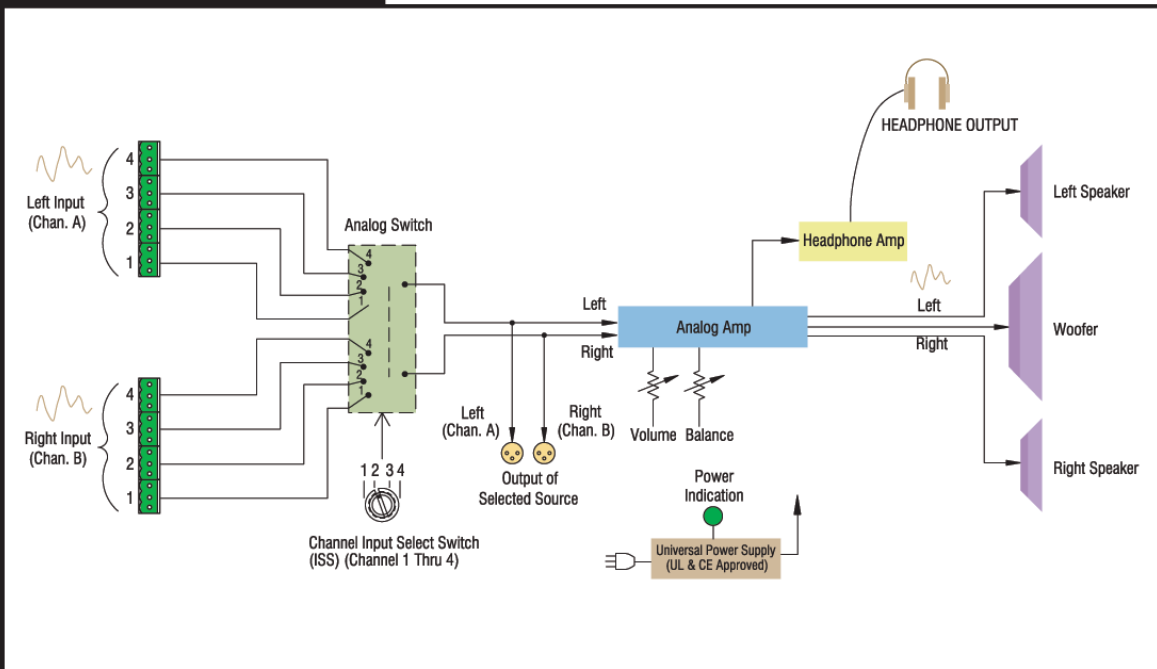
WOHLER AMP1A-4S

Compact, High Quality Analog Self-Powered Speaker System - 4 Stereo Channels

Rear Panel:



System Diagram:



Specifications:

Input	4 stereo balanced analog - phoenix terminals
Output	balanced analog output of selected pair - XLR
Analog input impedance	>40 kOhms balanced
Peak acoustic output @ 2 feet	.98dB SPL
Frequency response (1/6 octave)	.80Hz - 20kHz (± 5 dB) (-10dB @ 50Hz, 22kHz)
Power output	RMS each side (2 Ohms) - 5W, 7W peak RMS dual WOOFER (4 Ohms) - 11W, 16W peak
Electrical distortion	<0.15% at any level below limit threshold
Acoustic distortion	.8% or less worst case frequencies above 180Hz including cabinet resonance, typically <2%
Hum and noise	better than -68dB below full output
Magnetic shielding	<0.5 gauss any adjacent surface
Power consumption (AVG. MAX.)	.30W
Dimensions (HxWxD)	1.75 x 19 x 12" (44.5 x 483 x 305mm)
Weight (approx.)	.7lbs (5.5kg)
Power supply	100 to 240VAC, 50/60Hz universal input CE and UL approved

All specifications are subject to improvement

