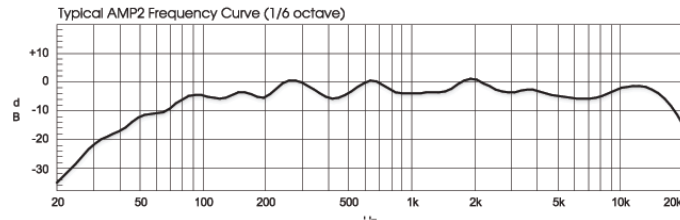


World Leader • In-Rack • Audio & Video Monitoring

WOHLER AMP2A-2S

Premium Quality, Analog Self-Powered Speaker System - 2 Stereo Channels



Features:

- Premium Quality Drivers for Superior Reproduction
- 4 Balanced Analog Inputs (2 Stereo, Select 1)
- Balanced Analog Output of Selected Stereo Source
- Powerful 104dB SPL at 2 feet (0.6m)
- Two 20 Segment Tri-Color Level Meters Displaying VU or PPM
- Excellent Frequency Response and Low Distortion
- Focused Sound, Reduces Adjacent Bay Crosstalk
- Audible Indication of Phase/Polarity Problems
- Innovative LED Display of Phase/Polarity Relationships
- Thorough Magnetic Shielding for Placement next to Video Monitors
- Compact & Convenient, all this Power in only 2U of rack space
- Headphone Jack, Mutes Speakers
- Blowout Proof Speakers
- Quick and Simple Installation

The AMP2A-2S provides self-powered, full-fidelity stereo audio monitoring in a compact two rackspace cabinet. A front panel switch allows the operator to select one stereo source for monitoring & output from up to 2 stereo analog inputs (4 channels). The AMP2A-2S features two 20 segment LED level meters showing VU or PPM for accurate level-metering. This unit contains three audiophile-quality drivers and three power amplifiers; two speakers and amplifiers reproduce midrange and high frequency information in stereo, while the third amp/driver combination handles summed LF information below the 500 Hz crossover point.

The unique design provides optimally focused sound for operators in an Ultra Near Field (1 to 3 ft.) working environment and offers performance comparable to that of many separate monitor pairs, yet does so without the installation hassles, awkward speaker placements and "added-on" look. This provides for a higher SPL for the operator while reducing overall ambient sound and adjacent bay crosstalk.

Excellent HF response reveals potential problems with audio whine or hiss and electronic rather than acoustic cancellation of bass frequencies provides positive audible detection of out-of-phase (reversed polarity) audio feeds. A headphone jack is provided on the front panel, usage automatically mutes the speakers. The front panel features an innovative LED Display of Phase/Polarity Relationships. Output limiter circuits are incorporated to protect the speakers, and extensive magnetic shielding allows placement immediately adjacent to video monitors with no color impurities.

The AMP2A-2S is ideally suited for use in VTR bays, mobile production vehicles, teleconferencing installations, multimedia systems, satellite link and cable TV facilities, and on-air radio studios. Built and rigorously tested in the USA, the AMP2A-2S is backed by a strong warranty and a "Satisfaction Guaranteed" return policy.

**i-TECH
COMPANY**
www.i-techcompany.com
Toll Free: 1-888-483-2418
USA: 1-510-429-9288
Fax: 1-510-372-2736

Audio Monitoring

Level Metering

Alarm Systems

Video Monitoring

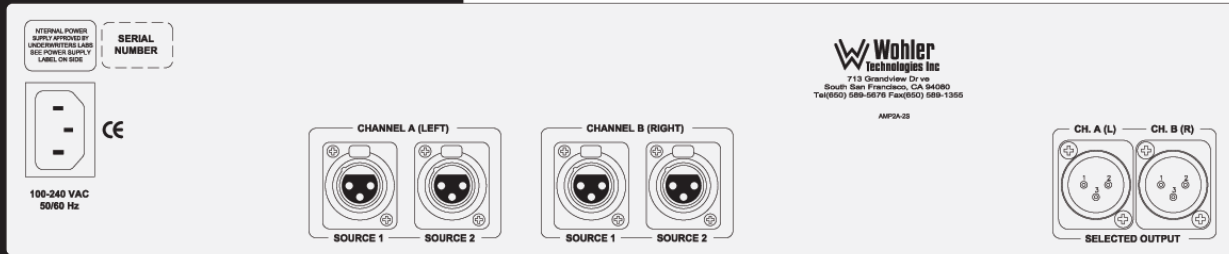
Wohler

January 27, 2004

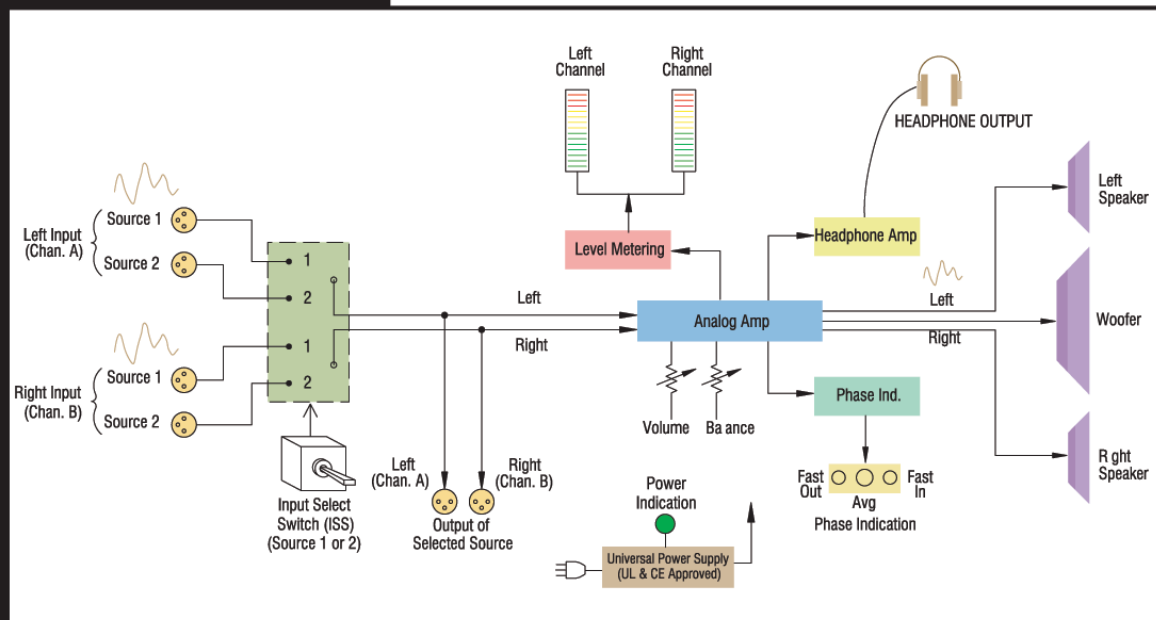
WOHLER AMP2A-2S

Premium Quality, Analog Self-Powered Speaker System - 2 Stereo Channels

Rear Panel:



System Diagram:



Specifications:

Input 2 stereo balanced analog - XLR
Output balanced analog output of selected pair - XLR
Level meters 2 x 20 segment bargraphs
Level meter scale +6 to -40 dB
Level meter threshold -6, 0, +4, +8 dBv; DIP switch selectable
Level meter dynamics VU or PPM; DIP switch selectable
Midscale resolution 1 dB
Analog input impedance >40 kOhms balanced
Peak acoustic output @ 2 feet 104dB SPL
Frequency response (1/6 octave) 80Hz - 16kHz (±5dB) (-10dB @ 40Hz, 20kHz)
Power output RMS each side (4 Ohms) - 10W, 14W peak RMS center WOOFER (4 Ohms) - 25W, 35W peak
Electrical distortion <0.15% at any level below limit threshold
Acoustic distortion6% or less worst case frequencies above 120Hz including cabinet resonance, typically < 1.5%
Hum and noise better than -68dB below full output
Magnetic shielding <0.8 gauss any adjacent surface
Power consumption (AVG. MAX.) 45W
Dimensions (HxWxD) 3.5 x 19 x 12" (89 x 483 x 305mm)
Weight (approx.) 18lbs (8.2kg)
Power supply 100 to 240VAC, 50/60Hz universal input CE and UL approved

All specifications are subject to improvement