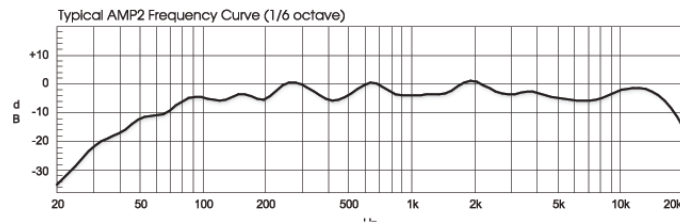


World Leader • In-Rack • Audio & Video Monitoring

# WOHLER AMP2A-VTR2

Premium Quality, 8 Channel, Analog Self-Powered Speaker System (2 Groups of 4)



## Features:

- Premium Quality Drivers for Superior Reproduction
- 8 Balanced Analog Inputs (2 Groups of 4)
- Independent Selection of 2 from 4 Mono Sources to Left and Right Outputs
- Balanced Analog Output of 2 Selected Sources
- Powerful 104dB SPL at 2 feet (0.6m)
- Now Features Four 53 Segment Tri-Color Level Meters Displaying Simultaneous VU and PPM
- Excellent Frequency Response and Low Distortion
- Focused Sound, Reduces Adjacent Bay Crosstalk
- Audible Indication of Phase/Polarity Problems
- Innovative LED Display of Phase/Polarity Relationships
- Thorough Magnetic Shielding for Placement next to Video Monitors
- Compact & Convenient, all this Power in only 2U of rack space
- Headphone Jack, Mutes Speakers
- Blowout Proof Speakers
- Quick and Simple Installation

The AMP2A-VTR2 provides self-powered, full-fidelity stereo audio monitoring in a compact two rackspace cabinet. Offering 8 eight analog inputs (two groups of 4) this unit has front panel controls allowing the operator to easily select either group of four, and then one of four analog channels to the left and one of the same four to the right for aural monitoring & balanced analog output of the selected channel pair. The AMP2A-VTR2 features four 20 segment LED level meters showing VU or PPM for accurate level-metering of all four input sources from the selected input group. This unit contains three audiophile-quality drivers and three power amplifiers; two speakers and amplifiers reproduce midrange and high frequency information in stereo, while the third amp/driver combination handles summed LF information below the 500 Hz crossover point.

The unique design provides optimally focused sound for operators in an Ultra Near Field (1 to 3 ft.) working environment and offers performance comparable to that of many separate monitor pairs, yet does so without the installation hassles, awkward speaker placements and "added-on" look. This provides for a higher SPL for the operator while reducing overall ambient sound and adjacent bay crosstalk.

Excellent HF response reveals potential problems with audio whine or hiss and electronic rather than acoustic cancellation of bass frequencies provides positive audible detection of out-of-phase (reversed polarity) audio feeds. A headphone jack is provided on the front panel, usage automatically mutes the speakers. The front panel features an innovative LED Display of Phase/Polarity Relationships. Output limiter circuits are incorporated to protect the speakers, and extensive magnetic shielding allows placement immediately adjacent to video monitors with no color impurities.

The AMP2A-VTR2 is ideally suited for use in VTR bays, mobile production vehicles, teleconferencing installations, multimedia systems, satellite link and cable TV facilities, and on-air radio studios. Built and rigorously tested in the USA, the AMP2A-VTR2 is backed by a strong warranty and a "Satisfaction Guaranteed" return policy.

**I-TECH COMPANY**  
www.i-techcompany.com  
Toll Free: 1-888-483-2418  
USA: 1-510-429-9288  
Fax: 1-510-372-2736

Audio Monitoring

Level Metering

Alarm Systems

Video Monitoring

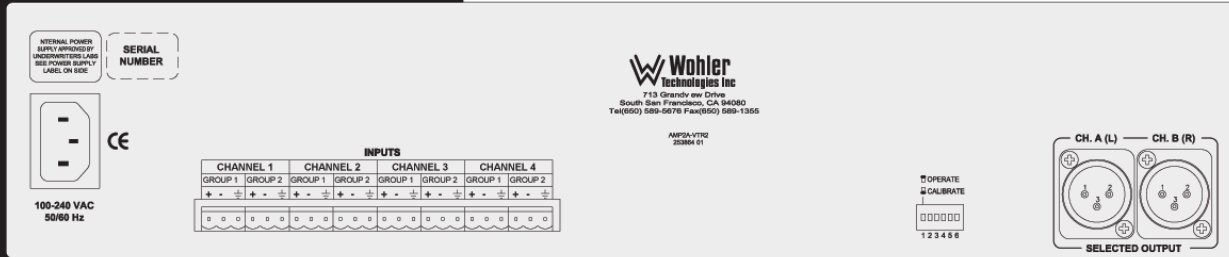
**Wohler**

January 28, 2004

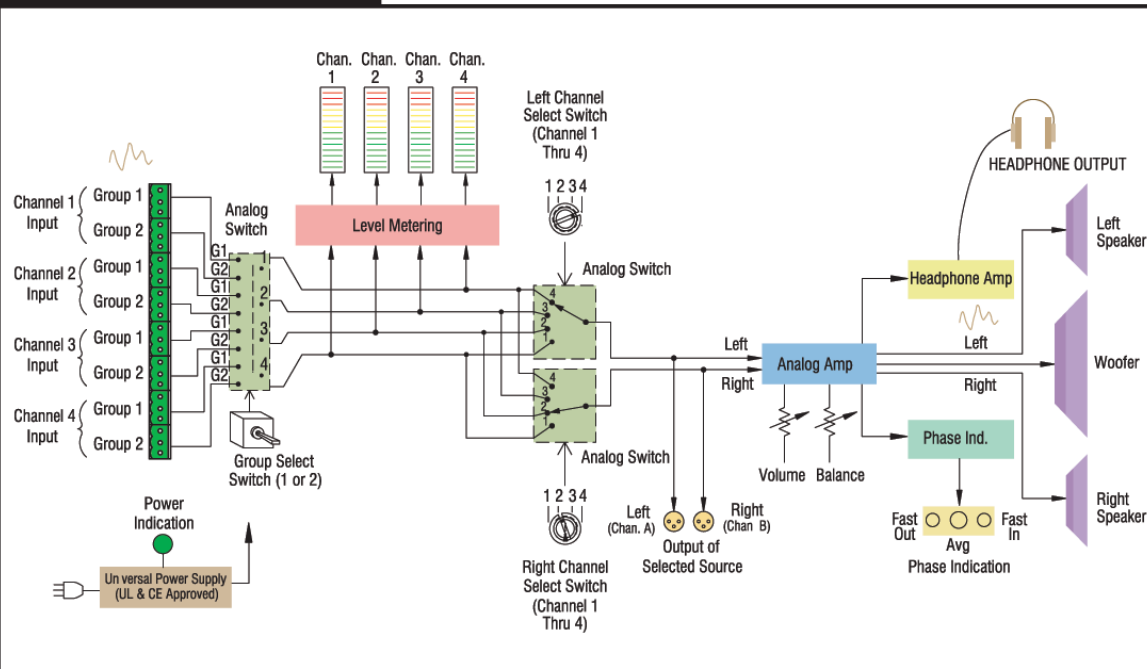
# WOHLER AMP2A-VTR2

Premium Quality, 8 Channel, Analog Self-Powered Speaker System [2 Groups of 4]

## Rear Panel:



## System Diagram:



## Specifications:

Input	8 balanced analog inputs - phoenix terminals
Output	balanced analog of 2 selected channels - XLR Level meters 4 x 53 segment
Level meter scale	+16 to -50 dB
Level meter threshold	.0, +4, +6 or +8dBv: DIP switch selectable
Level meter dynamics	simultaneous VU & PPM
Midscale resolution	1dB
Analog input impedance	>40 kOhms balanced
Peak acoustic output @ 2 feet	104dB SPL
Frequency response (1/6 octave)	.80Hz - 16kHz (±5dB) (-10dB @ 40Hz, 20kHz)
Power output	RMS each side (4 Ohms) - 10W, 14W peak RMS center WOOFER (4 Ohms) - 25W, 35W peak
Electrical distortion	<0.15% at any level below limit threshold
Acoustic distortion	.6% or less worst case frequencies above 120Hz including cabinet resonance, typically < 1.5%
Hum and noise	better than -68dB below full output
Magnetic shielding	<0.8 gauss any adjacent surface
Power consumption (AVG. MAX.)	.45W
Dimensions (HxWxD)	3.5 x 19 x 12" (89 x 483 x 305mm)
Weight (approx.)	18lbs (8.2kg)
Power supply	100 to 240VAC, 50/60Hz universal input CE and UL approved

All specifications are subject to improvement