

January 7, 2004

PANORAMAdtv, the video division of Wohler Technologies, Inc.

# PANORAMAdtv MON1-T/6.8

Half-Rack, Dual-Standard 6.8 " LCD Color Monitor



Unit shown in a standard 1/2 rack chassis, not included

## Features:

- Half-Rack 6.8" LCD Color Video Monitor
- Dual Standard NTSC/PAL Auto-Sensing With Front Panel Indication
- One Composite Video Input with Loop-Through
- Additional Composite Input for A/B Switching Available as an Optional Extra
- Optional SDI Input Module With reclocked SDI and Converted Analog Monitoring Outputs
- RGB Input Available as an Optional Extra
- Front Panel Trim Pot Control for Color, Tint/Hue, Contrast And Brightness
- Minimal Power Dissipation for a Low Operating Temperature
- Low Power Consumption
- Power Indication
- Internal Universal AC Mains Power Supply

MONI-T/6.8 is a single 1/2 rack 6.8" LCD color video monitor. The standard version has 1 composite video input (NTSC and PAL autosensing). Each BNC composite video input has a passive loop-through and a 75 ohm termination switch. The front panel has trim pot controls for Color, Tint/Hue, Brightness and Contrast.

An optional field-installable SDI module may be added, providing an SDI video input channel with a reclocked SDI video output and a converted composite video output. The SDI Module also offers color bars with a rear-panel switch.

Optional field-installable additional composite video input with passive loop-through may be ordered providing a A/B switching facility with front panel control. Optional RGB input with synch. on green is now also available.

The MONI-T/6.8 is ideal for confidence video monitoring of multiple video feeds for mobile trucks, news and transmission control rooms, duplication and post production applications. Built and rigorously tested in the USA, the MONI-T/6.8 is backed by a strong warranty and a "Satisfaction Guaranteed" return policy.

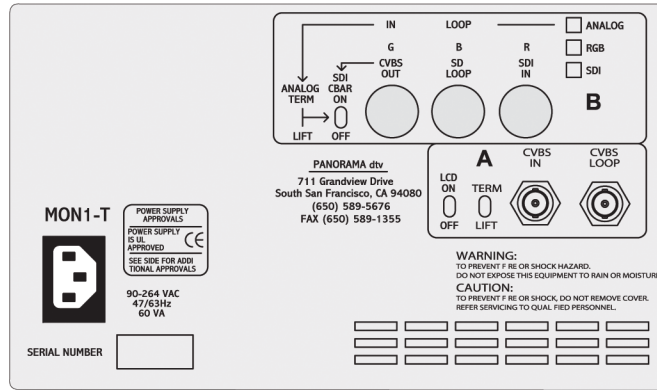
**I-TECH COMPANY**  
[www.i-techcompany.com](http://www.i-techcompany.com)  
 Toll Free: 1-888-483-2418  
 USA: 1-510-429-9288  
 Fax: 1-510-372-2736



# PANORAMAdtv MON1-T/6.8

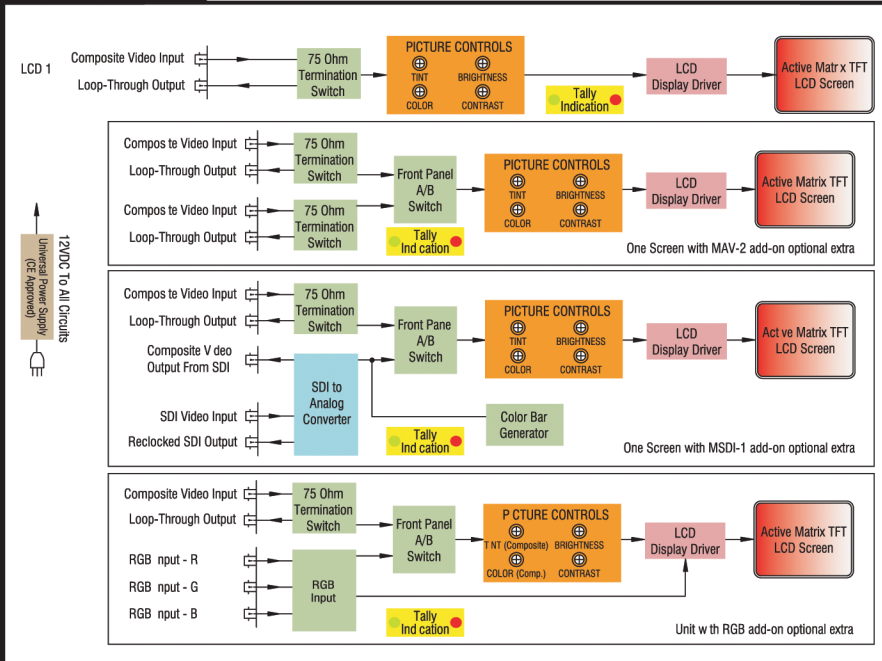
Half-Rack, Dual-Standard 6.8 " LCD Color Monitor

## Rear Panel:



Unit shown with optional 2nd analog input with A/B switching and loop-through

System Diagram



## Specifications:

Video input	1 composite video input
Video input termination	selectable 75 ohm termination
Video output	1 loop-through composite video output
Screen size	6.8" diagonal
Screen type	active matrix TFT
Source selection	A/B selection with optional extra SDI or composite modules
Display modes	NTSC/PAL autosensing
Aspect ratio	4:3
LCD active area	138.2 x 103.4mm
Picture controls	brightness, chroma, tint & contrast
Resolution (dots x lines)	1152 x 234
Dot pitch	0.120 x 0.442mm
Color configuration	RGB stripe
Viewing angle	top=10°, bottom=30° left=45°, right=45°
Contrast ratio	150 (typ.)
Brightness	300 NITs (cd/m <sup>2</sup> )
LCD lamp life	15,000 hours (avg.)
Chassis type	3U, 19" rack mounting (EIA-310D)
Dimensions (HxWxD)	8.375 x 5.125 x 16.75" (213 x 130 x 425mm)
Weight	5.5lbs (2.5kg)
Power consumption	.8W
Power supply	100 to 240VAC, 50/60Hz, universal input CE & UL approved internal power supply
<h2>Optional Extras</h2>	
2nd Analog Input - MAV-2	Second composite input with composite loop-through.
SDI Option - MSDI-1	Field installable MSDI-1 board, SDI (ITU-R 601) input, reclocked SDI output, composite output of SDI input, SMPTE color bar switch.
RGB Option Board	Optional RGB video input, synch. on green