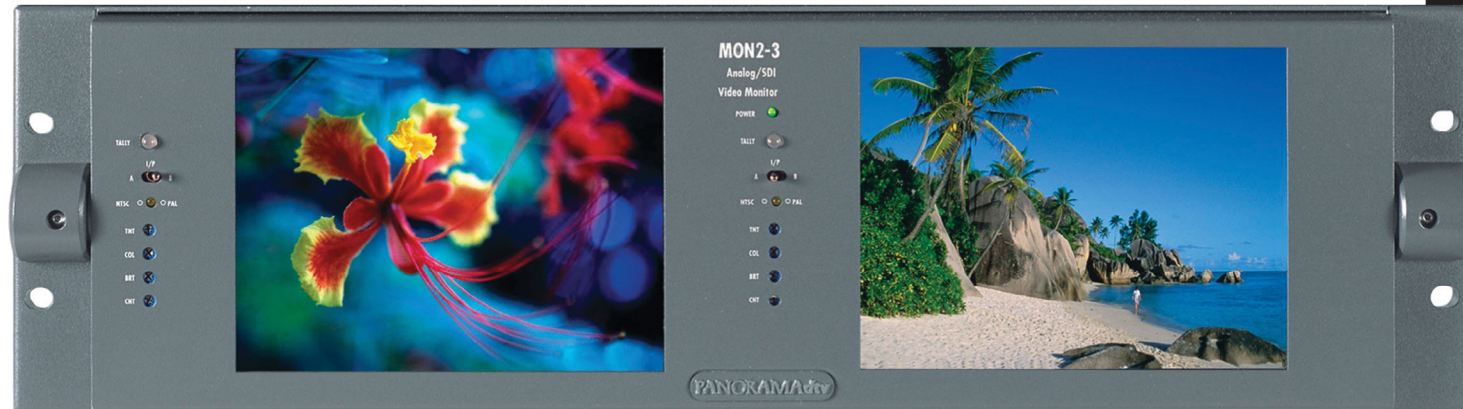


PANORAMAdtv, the video division of Wohler Technologies, Inc.

PANORAMAdtv MON2-3

Compact Dual-Standard Dual 6.8" LCD Color Monitor



Features:

- Dual 6.8" LCD Color Video Monitor
- Adjustable Screen Angle for Efficient Viewing
- Two Composite Video Inputs with Loop-Through
- Optional Additional Composite Inputs for A/B Switching (Optional Remote Capability)
- Optional (Field Installable) SDI Input Module With relocked SDI and Converted Analog Monitoring Outputs
- RGB Inputs available as an Optional Extra
- Mix & Match Analog and Digital Video Inputs
- Front Panel Trim Pot Control for Color, Tint/Hue, Contrast And Brightness
- Compact 3U, 9" Deep and Lightweight
- Dual Standard NTSC/PAL Auto-Sensing With Front Panel Indication
- Red/Green Tally Lights
- Minimal Power Dissipation for a Low Operating Temperature
- Low Power Consumption
- Front Panel A/B Switching with Remote Capability
- Internal Universal AC Mains Power Supply

MON2-3 is a dual 6.8" LCD color video monitor. The standard version has 2 composite video inputs (NTSC and PAL autosensing). Each BNC composite video input has a passive loop-through and a 75 ohm termination switch. The high quality LCD chassis offers adjustable viewing angles for efficient operator viewing.

Optional field-installable SDI modules may be added (one per LCD screen), each one provides an SDI video input channel with a relocked SDI video output and a converted composite video output. The SDI Module also offers color bars with a rear-panel switch.

Optional field-installable additional composite video input with passive loop-through may be ordered providing a A/B switching facility with front panel control. Optional RGB input with synch. on green is now also available.

Built-in Red/Green tally lights from DB25 connector on the rear panel can be interfaced to most tally systems. The MON2-3 has front panel trim pot controls for Color, Tint/Hue, Brightness and Contrast.

The MON2-3 is ideal for confidence video monitoring of multiple video feeds for mobile trucks, news and transmission control rooms, duplication and post production applications. Built and rigorously tested in the USA, the MON2-3 is backed by a strong warranty and a "Satisfaction Guaranteed" return policy.

**I-TECH
COMPANY**
www.i-techcompany.com
Toll Free: 1-888-483-2418
USA: 1-510-429-9288
Fax: 1-510-372-2736

Video Monitoring

Level Metering

Alarm Systems

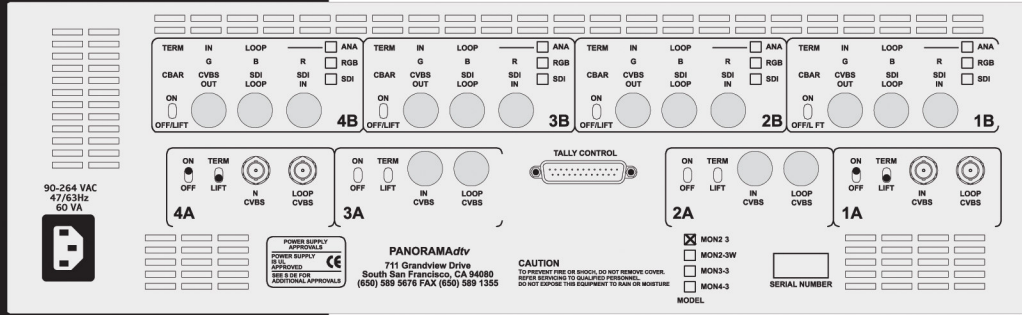
Audio Monitoring

Wohler

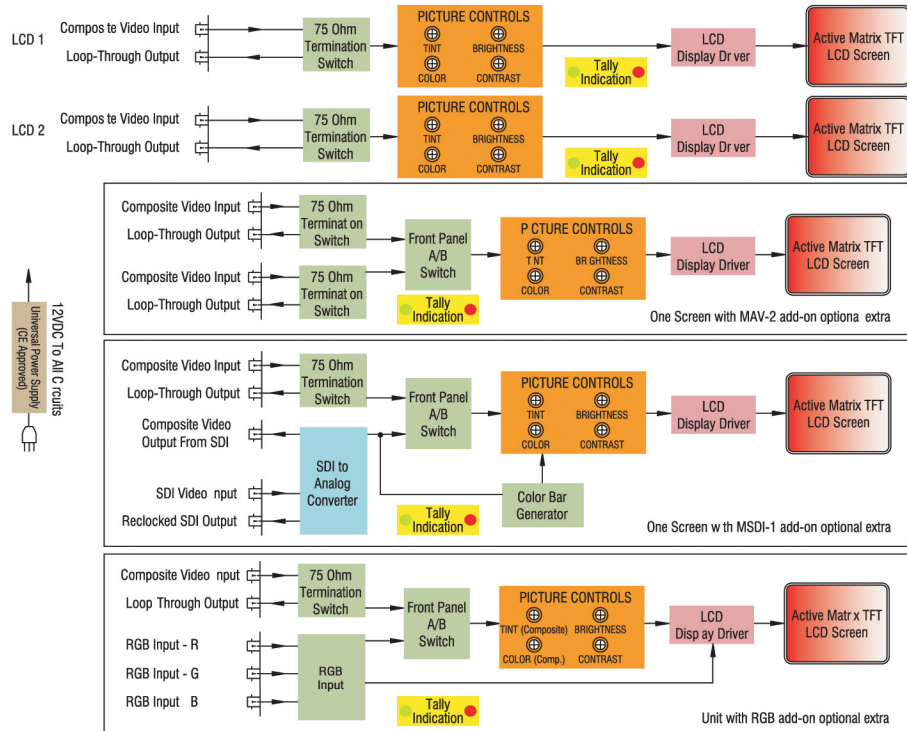
PANORAMAdtv MON2-3

Compact Dual-Standard Dual 6.8" LCD Color Monitor

Rear Panel:



System Diagram:



Specifications:

Video input 2 composite video inputs, 1 per screen
Video input termination selectable 75 ohm termination
Video output 2 loop-through composite video outputs, 1 per screen
Screen size 6.8" diagonal
Screen type active matrix TFT
Source selection A/B selection with optional extra SDI or composite modules
Display modes NTSC/PAL autosensing
Aspect ratio 4:3
LCD active area 138.2 x 103.4mm
Picture controls brightness, chroma, tint & contrast
Resolution (dots x lines) 1152 x 234
Dot pitch 0.120 x 0.442mm
Color configuration RGB stripe
Viewing angle top=10°, bottom=30° left=45°, right=45°
Contrast ratio 150 (typ.)
Brightness 300 NITs (cd/m ²)
LCD lamp life 15,000 hours (avg.)
Chassis type 3U, 19" rack mounting (EIA-310D)
Dimensions (HxWxD) 1.19 x 7.125 x 5.2" (483 x 132 x 181mm)
Weight 11lbs (5kg)
Power consumption 19W
Power supply 100 to 240VAC, 50/60Hz, universal input CE & UL approved internal power supply
<h2>Optional Extras</h2>	
SDI Option - MSDI-1 Field installable MSDI-1 board, SDI (ITU-R 601) input, reclocked SDI output, composite output of SDI input, SMPTE color bar switch - use one 1 MSDI-1 per screen.
A/B Switching Option - MAV-2 Second composite input with composite loop-through. Each screen may have either the MAV-2 or the MSDI-1 option, but not both - use one 1 MSDI-1 per screen.
RGB Option Board Optional RGB video input, synch. on green