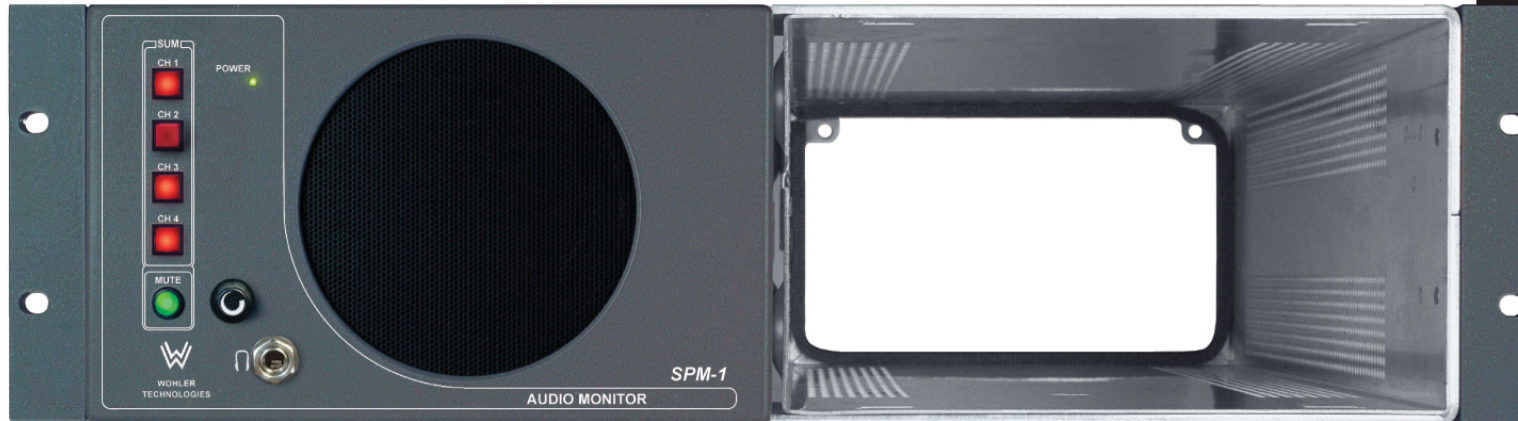


World Leader • In-Rack • Audio & Video Monitoring

# WOHLER SPM-1

Half-Rack, Four Channel Analog Audio Confidence Monitor



Unit shown in a standard 1/2 rack chassis, not included

## Features:

3U Half-Rack Chassis for Compact Mounting next to Test Equipment or Video Monitors

Fits in Standard Tektronix™ Half Tub

Powerful, 95dB SPL at 1' (0.3m)

4 Balanced Analog Inputs with Passive Loop-Through

Any Combination of 4 Channels may be Summed

Volume Control

Mute Switch with LED Indication

Headphone Jack, Mutes Speaker

Thorough Magnetic Shielding for Placement next to Video Monitors

Blowout-Proof Speaker

Internal Universal AC Mains Power Supply

Quick and Simple Installation

January 29, 2004

The SPM series of audio confidence monitors from Wohler Technologies offer voice quality confidence monitoring of up to 4 channels. Channels may also be summed together in any combination with convenient front panel control buttons.

4 models are available offering a choice of analog, AES/EBU digital, analog & AES/EBU digital or SDI & AES/EBU digital input sources.

Units fit into a standard Tektronix™ half tub, ideal for placement next to video monitors or test equipment.

SPM series units have a front panel volume control, mute button and active channels are indicated with convenient LED indication allowing the operator to tell at a glance which channels are active.

The SPM series of audio confidence monitors are completely magnetically shielded to allow interference-free operation immediately adjacent to all CRT video monitors. The chassis size makes the unit ideal to sit alongside video monitors and other half rack devices.

Built and rigorously tested in the USA, the SPM series is backed by a strong warranty and a "Satisfaction Guaranteed" return policy.

**I-TECH  
COMPANY**  
www.i-techcompany.com  
Toll Free: 1-888-483-2418  
USA: 1-510-429-9288  
Fax: 1-510-372-2736

Audio Monitoring

Level Metering

Alarm Systems

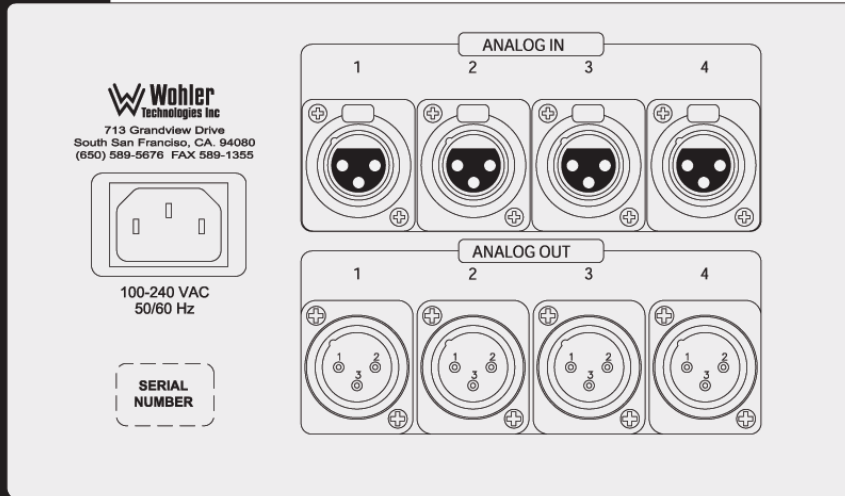
Video Monitoring

**Wohler**

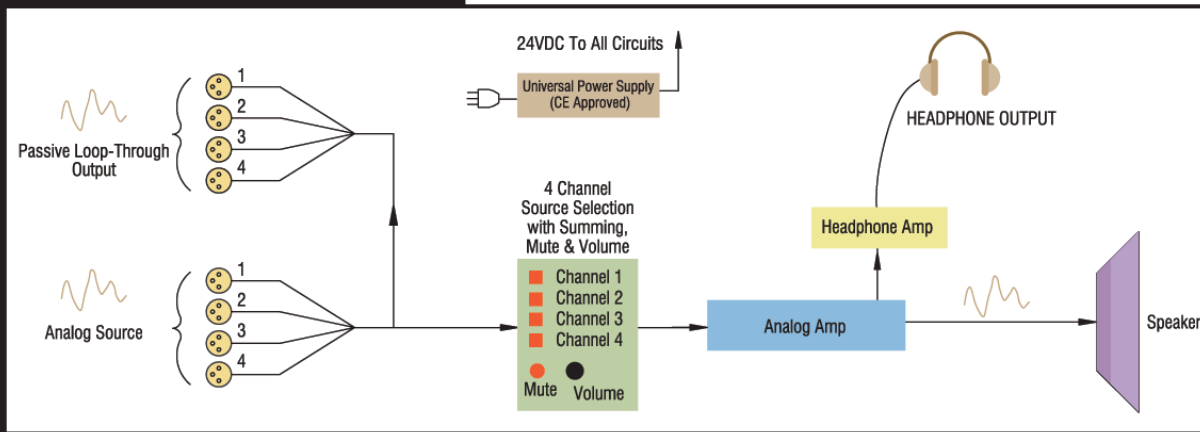
# WOHLER SPM-1

Half-Rack, Four Channel Analog Audio Confidence Monitor

## Rear Panel:



## System Diagram:



## Specifications:

Input signal type	.....analog
Input connectors	.....4 x XLR (100K Ohm, balanced)
Output connectors	.....4 x XLR (balanced, passive loop-through)
Acoustic frequency response	.....60 Hz to 15 kHz ( $\pm 0.5$ dB)
Maximum acoustic output	.....95dB at 1 foot (0.3m)
Electrical distortion	.....<0.2% @ any volume
Magnetic shielding	.....<1 gauss any adjacent surface
Hum and noise	.....better than -70 dB below full output
Dimensions (HxWxD)	.....5.2 x 8.4 x 17" (132 x 213 x 432mm)
Weight	.....13 lbs. (5.8kg)
Power supply	.....universal AC input (100-240V) UL/CSA approved
Power consumption	.....30W (avg. / max)