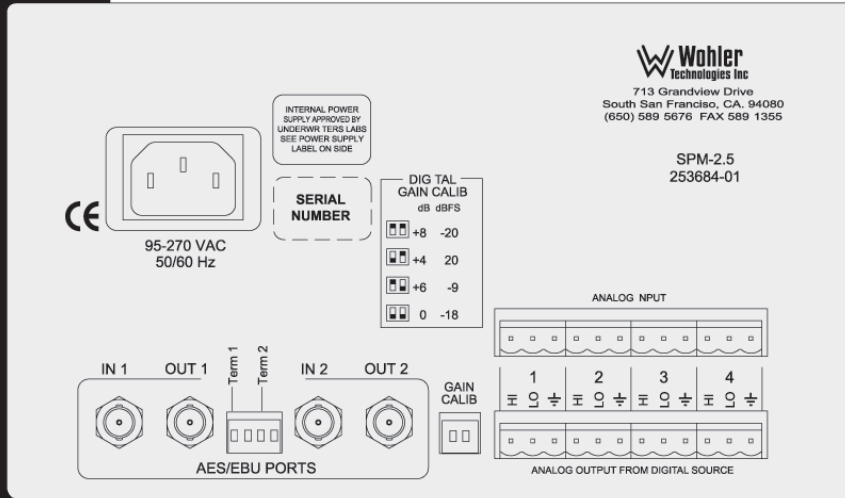


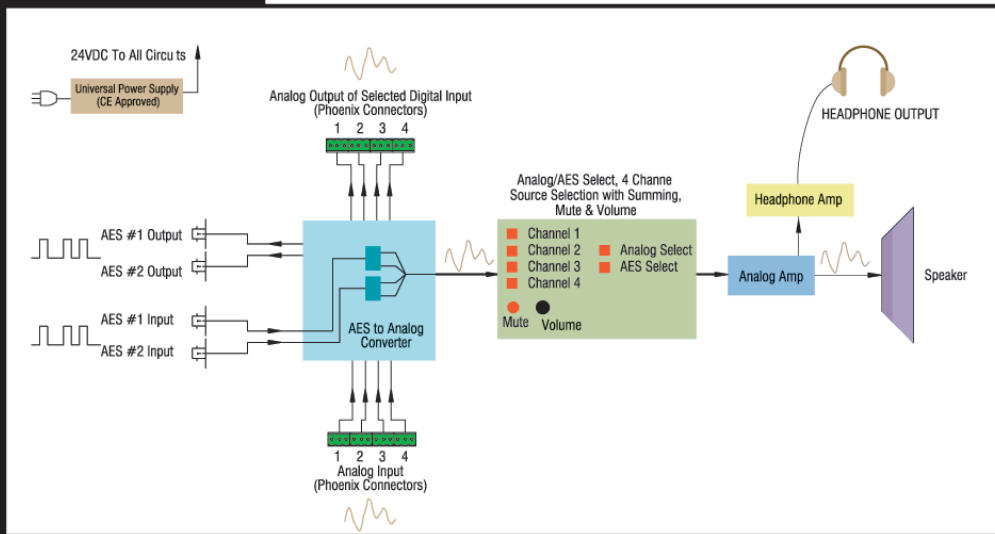
# WOHLER SPM-2.5

Half-Rack, Four Channel Analog & AES/EBU Digital Audio Confidence Monitor

## Rear Panel:



## System Diagram:



## Specifications:

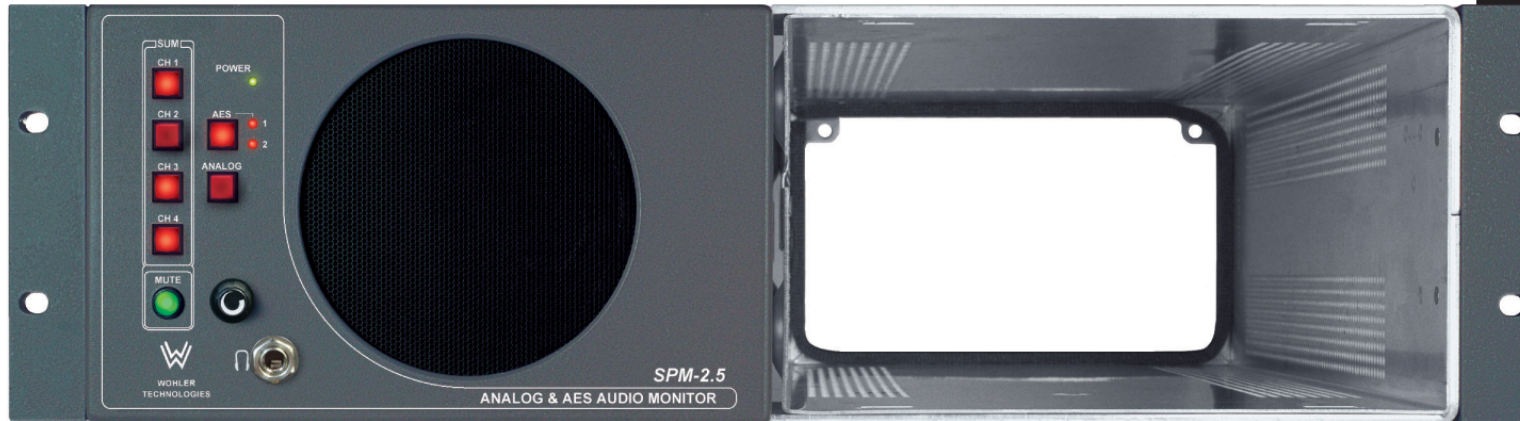
|                                 |   |
|---------------------------------|---|
| Input signal type               | AES/EBU and analog                            |
| Analog input connectors         | 4 x phoenix (40K Ohm, balanced)               |
| AES/EBU input connectors        | 2 x 75 Ohm BNC                                |
| AES/EBU output connectors       | 2 x 75 Ohm BNC (passive loop-through)         |
| AES/EBU sampling rates          | 31 kHz to 48 kHz                              |
| AES/EBU termination             | by DIP switch on rear panel                   |
| Analog output of digital source | 4 x phoenix                                   |
| Output gain adjustment          | by DIP switch on rear panel                   |
| Acoustic frequency response     | 60 Hz to 15 kHz ( $\pm 0.5$ dB)               |
| Maximum acoustic output         | 95dB at 1 foot (0.3m)                         |
| Electrical distortion           | <0.2% @ any volume                            |
| Magnetic shielding              | < 1 gauss any adjacent surface                |
| Hum and noise                   | better than -70 dB below full output          |
| Dimensions (HxWxD)              | 5.2 x 8.4 x 17"<br>(132 x 213 x 432mm)        |
| Weight                          | 13 lbs. (5.8kg)                               |
| Power supply                    | universal AC input (100-240V) UL/CSA approved |
| Power consumption               | 30W (avg. / max)                              |

World Leader • In-Rack • Audio & Video Monitoring

# WOHLER SPM-2.5

Half-Rack, Four Channel Analog & AES/EBU Digital Audio Confidence Monitor

January 29, 2004



Unit shown in a standard 1/2 rack chassis, not included

## Features:

- 3U Half-Rack Chassis for Compact Mounting next to Test Equipment or Video Monitors
- Fits in Standard Tektronix™ Half Tub
- Powerful, 95dB SPL at 1' (0.3m)
- 2 AES/EBU Digital Inputs with Passive Loop-Through
- 4 Balanced Analog Inputs
- 4 Balanced Analog Outputs from Digital Inputs
- Any Combination of 4 Analog or 4 AES/EBU Channels may be Summed
- Volume Control
- AES Signal Present LEDs
- Mute Switch with LED Indication
- Headphone Jack, Mutes Speaker
- Thorough Magnetic Shielding for Placement next to Video Monitors
- Blowout-Proof Speaker
- Internal Universal AC Mains Power Supply
- Quick and Simple Installation

The SPM series of audio confidence monitors from Wohler Technologies offer voice quality confidence monitoring of up to 4 channels. Channels may also be summed together in any combination with convenient front panel control buttons.

4 models are available offering a choice of analog, AES/EBU digital, analog & AES/EBU digital or SDI & AES/EBU digital input sources.

Units fit into a standard Tektronix™ half tub, ideal for placement next to video monitors or test equipment.

SPM series units have a front panel volume control, mute button and active channels are indicated with convenient LED indication allowing the operator to tell at a glance which channels are active.

The SPM series of audio confidence monitors are completely magnetically shielded to allow interference-free operation immediately adjacent to all CRT video monitors. The chassis size makes the unit ideal to sit alongside video monitors and other half rack devices.

Built and rigorously tested in the USA, the SPM series is backed by a strong warranty and a "Satisfaction Guaranteed" return policy.

**I-TECH  
COMPANY**  
www.i-techcompany.com  
Toll Free: 1-888-483-2418  
USA: 1-510-429-9288  
Fax: 1-510-372-2736

Audio Monitoring

Level Metering

Alarm Systems

Video Monitoring

**Wohler**