

World Leader • In-Rack • Audio & Video Monitoring

WOHLER VM-2A

2 Channel Stereo "Confidence Plus" Audio Monitor



January 28, 2005

Features:

- 2 Balanced Analog Inputs with Loop-Through (1 Stereo)
- 2 Unbalanced Analog Inputs (1 Stereo)
- Use Either Balanced or Unbalanced Inputs
- Powerful 96dB SPL at 2 feet (0.6m)
- Volume / Balance Controls as Standard, Internally Configurable as A-Volume / B-Volume
- 2 Ten-Segment VU Level Meters
- Thorough Magnetic Shielding for Placement next to Video Monitors
- Headphone Jack, Mutes Speakers
- Blowout-Proof Speakers
- Lightweight and Shallow-Depth Chassis
- Internal Universal AC Mains Power Supply
- Quick and Simple Installation

The single-rackspace VM-2A from Wohler Technologies permits convenient monitoring of one stereo or two mono analog input source(s), with excellent full-range fidelity far exceeding that of an ordinary monitor. Two front-firing midrange-tweeter speakers and a compact high performance woofer are arranged in Wohler Technologies' popular bi-amp design. The summed bass feature is important for audible detection of 'out of phase' conditions.

The unit features 2 ten-segment VU LED bargraphs level meters. Balanced analog inputs using XLR connectors and unbalanced analog inputs using RCA connectors are provided on the rear panel. Passive loop-through XLRs are also provided.

Speaker amp limiters prevent accidental damage to speakers from high input levels. Volume & Balance controls are standard, but can be re-configured in the field as A volume/B volume. A headphone jack is provided on the front panel, usage automatically mutes the speakers. Output limiter circuits are incorporated to protect the speakers, and extensive magnetic shielding allows placement immediately adjacent to video monitors with no color impurities.

The VM-2A is ideally suited for use in VTR bays, security installations, multimedia systems, satellite link and cable TV facilities, and on-air radio studios. It's lighter weight and shallower-depth chassis (compared to similar-type units) also make it ideal for use in portable and mobile vehicle applications. Built and rigorously tested in the USA, the VM-2A is backed by a strong warranty and a "Satisfaction Guaranteed" return policy.

I-TECH
COMPANY
www.i-techcompany.com
Toll Free: 1-888-483-2418
USA: 1-510-429-9288
Fax: 1-510-372-2736

Wohler

Audio Monitoring

Level Metering

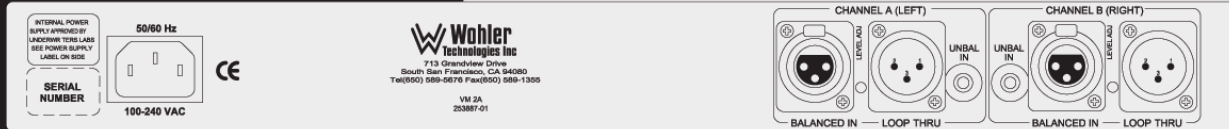
Alarm Systems

Video Monitoring

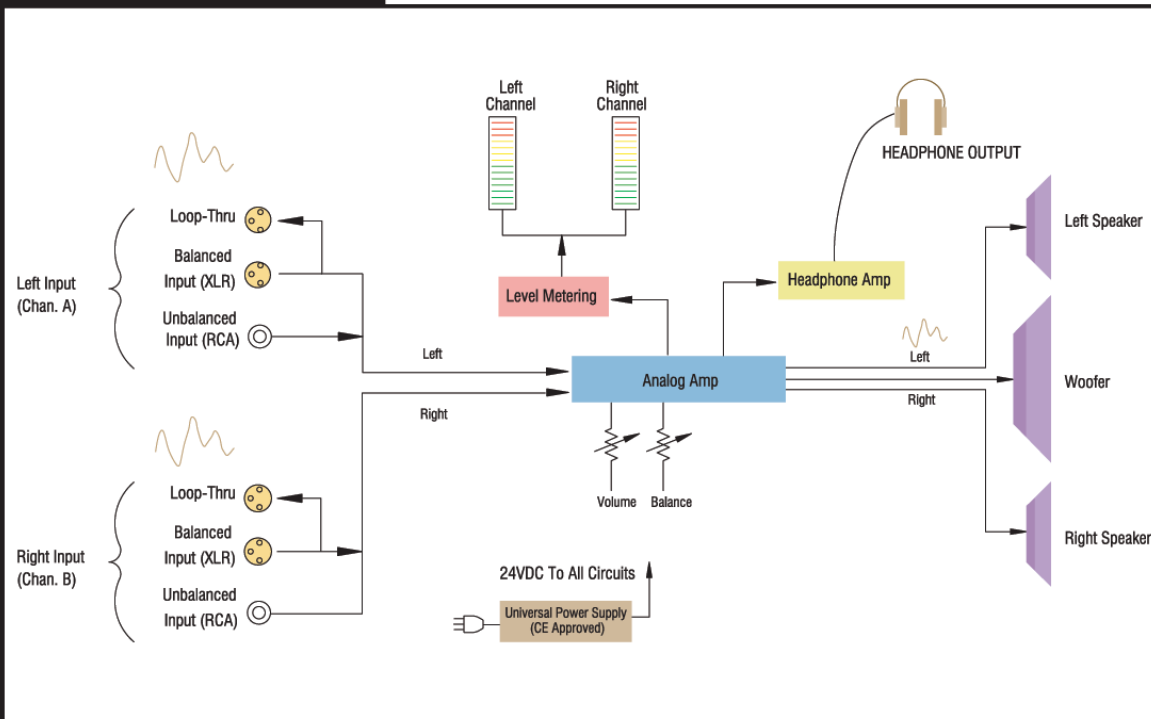
WOHLER VM-2A

2 Channel Stereo "Confidence Plus" Audio Monitor

Rear Panel:



System Diagram:



Specifications:

Input 2 balanced (with loop-through) or unbalanced analog inputs, XLR/RCA connectors

Input impedance > 100 kOhms balanced

Input level for full output (volume full on) 0 dBv balanced, -10dBv unbalanced

Meter calibration range -10 to +10 dBv for '0' reading

Hum and noise better than -70 dB below full output

Acoustic frequency response 80 Hz to 16 kHz (± 6 dB)

Peak acoustic output @ 2 feet 96dB SPL

Electrical distortion < 0.3% at any level below limit threshold

Acoustic distortion Typically < 2% at any level below limiting, 100Hz - 15KHz

Magnetic shielding < 1 gauss any adjacent surface

Connectors balanced: XLR (with loop-through)
unbalanced: RCA

Power consumption < 70W

Dimensions (HxWxD) 1.75 x 19 x 8.5"
(44.5 x 483 x 216mm)

Weight 6.8 lbs. (3.1kg)

Power supply 100 to 240VAC, 50/60Hz universal input
CE and UL approved

All specifications are subject to improvement

