

World Leader • In-Rack • Audio & Video Monitoring

WOHLER VMQ-2D

AES/EBU Digital Audio Monitor with 4 Simultaneous Discrete Channels



January 29, 2004

The VMQ-2D audio monitor from Wohler Technologies offers voice quality confidence monitoring of up to 2 AES/EBU digital sources simultaneously, as well as offering 4 balanced analog outputs converted from the digital inputs and two AES/EBU digital outputs. The VMQ-2D only requires a compact 1U of rackspace and is available at a very cost effective price.

Because each channel has its own dedicated power amplifier and speaker, the audio sources remain completely separate from input to output. When listening within "Ultra Near Field" distances of 1 to 3 feet, these discrete speaker outputs provide enhanced source distinction when compared to designs with four inputs mixed into a single output.

Each channel has an LED which illuminates when a signal is present at the input allowing the operator to easily determine at a glance which channels are currently active, very helpful when quick volume adjustments are required. Separate mute buttons are provided for each channel; these together with an LED that indicates channel muting allow an operator to quickly mute one or more channels. A stereo headphone jack has channels 1 and 2 summed on the left side, and channels 3 and 4 on the right side.

The VMQ-2D is completely magnetically shielded to allow interference-free operation immediately adjacent to all CRT video monitors. The lighter weight and shallower-depth chassis compared to similar-type units, make it ideal for use in portable and mobile vehicle applications.

Features:

- Monitoring of Four Discrete Audio Channels in One Unit
 - Only One Rack Space High
 - Powerful 94dB SPL at 2 feet (0.6m)
 - 2 Unbalanced AES/EBU Digital Inputs
 - 2 Unbalanced AES/EBU Digital Outputs
 - Converted Balanced Analog Output from Digital Inputs
 - Signal Present LED on each Channel Input
 - Mute Button and LED for each Channel
 - Thorough Magnetic Shielding for Placement next to Video Monitors
 - Headphone Jack, Mutes Speakers
 - Blowout-Proof Speakers
 - Lightweight and Shallow-Depth Chassis
 - Internal Universal AC Mains Power Supply
 - Quick and Simple Installation
- Also Available, an Analog Version (VMQ-4) and an SDI Version (VMQ-SDI)

**I-TECH
COMPANY**
www.i-techcompany.com
Toll Free: 1-888-483-2418
USA: 1-510-429-9288
Fax: 1-510-372-2736

Wohler

Audio Monitoring

Level Metering

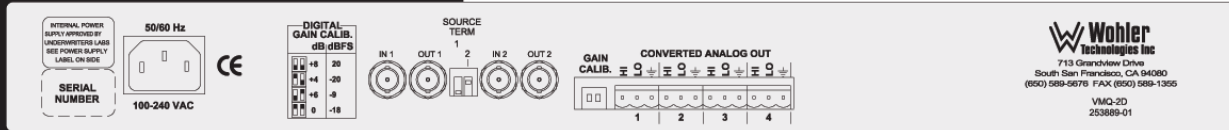
Alarm Systems

Video Monitoring

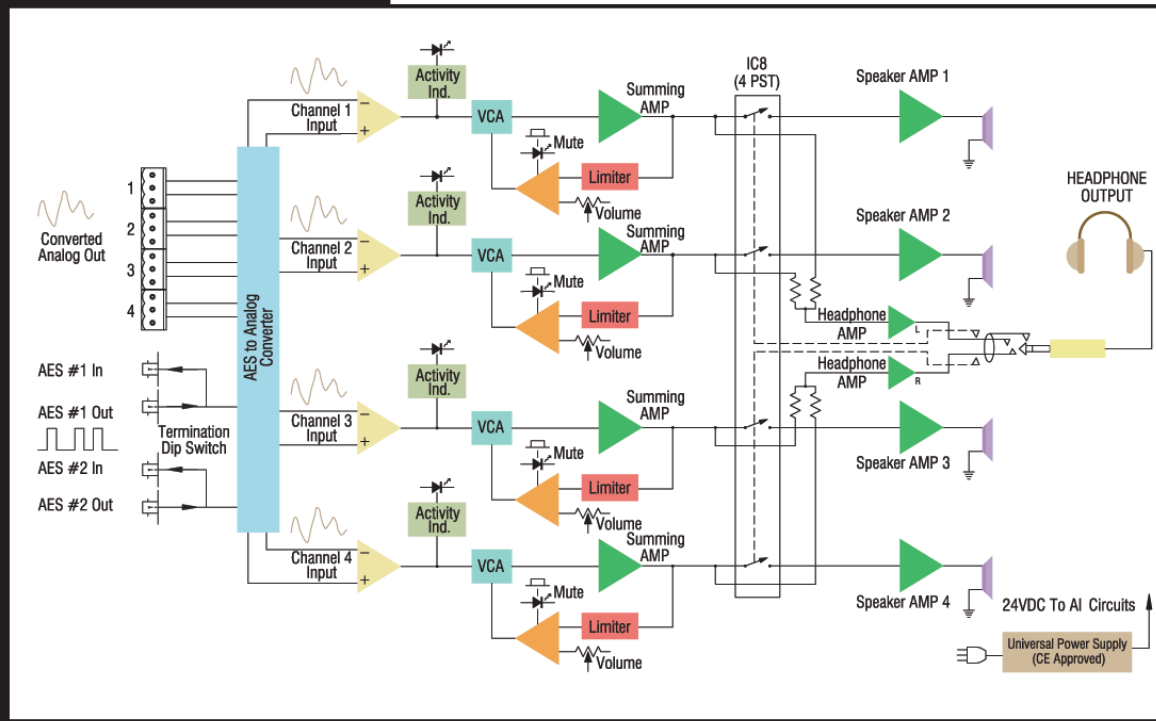
WOHLER VMQ-2D

AES/EBU Digital Audio Monitor with 4 Simultaneous Discrete Channels

Rear Panel:



System Diagram:



Specifications:

Input	2 unbalanced AES/EBU inputs, BNC connectors
Output	2 unbalanced AES/EBU loop-through outputs, BNC connectors 4 balanced analog outputs from AES/EBU, phoenix connectors
Digital input termination	75 Ohms
Hum and noise	better than -70 dB below full output
Acoustic frequency response	300 Hz to 16 kHz (± 9 dB)
Peak acoustic output @ 2 feet	94dB SPL
Electrical distortion	<0.2% at any level below limit threshold
Magnetic shielding	< 1 gauss any adjacent surface
Digital Input connectors	BNC, phoenix connectors as an optional extra
Digital Output connectors	BNC, phoenix connectors as an optional extra
Analog Output connectors	phoenix, XLR available as an optional extra
Dimensions (HxWxD)	1.75 x 19 x 9.5" (44.5 x 483 x 241 mm)
Weight	7 lbs. (3.2kg)
Power supply	100 to 240VAC, 50/60Hz universal input CE and UL approved
Power consumption	.20W / 35W (avg. / max)

All specifications are subject to improvement