

COMPACT DESIGN PANEL PC

9.0" 1024 x 600 300nits Panel PCs DMP Vortex86EX 400MHz, 1GB DDR3 Memory on board, +5VDC, IP65 standard front panel, waterproof and dustproof, and wide operating temperature range from -20C to 60C (-4F to 140F) 110/220V external power adapter. No CF Card Slot; not recommended for Win XPe or Win 7

Model: XPC0900X1



FEATURES

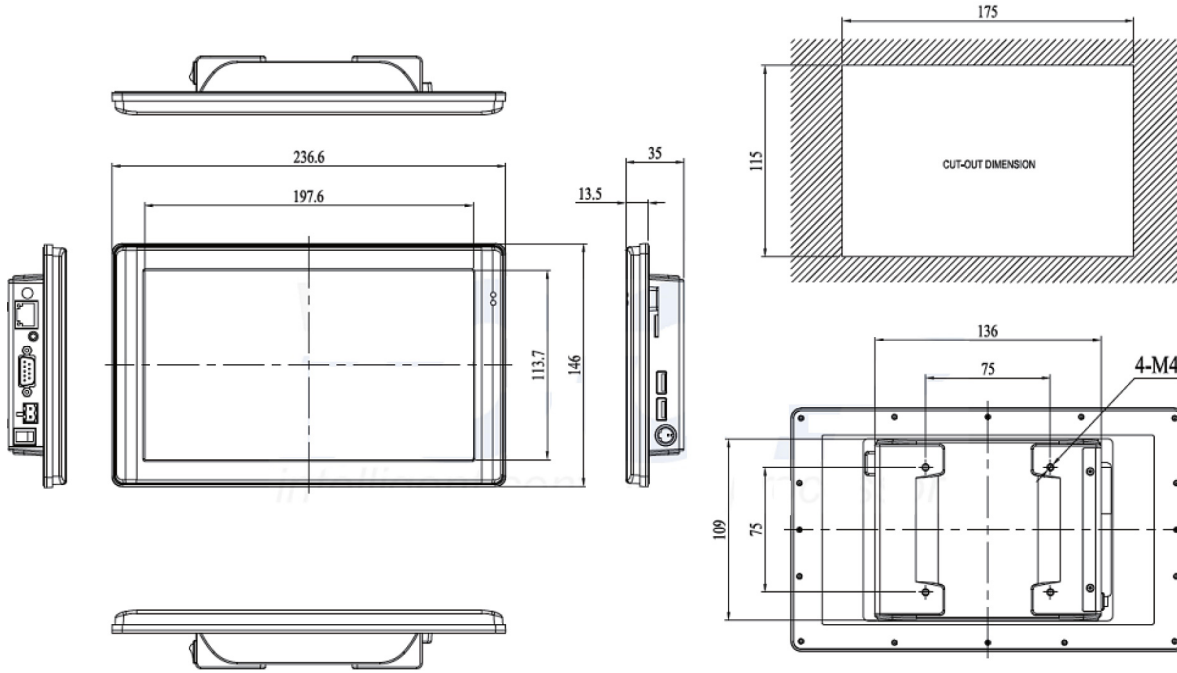
- 9" TFT LCD with resistive touchscreen
- DM&P Vortex86EX-400MHz Onboard
- 1GB DDR3 System Memory Onboard
- Fanless and Low Power Consumption
- Metal Chassis with Compact Design
- Micro SD Slot



SPECIFICATIONS

| LCD Display | |
|-----------------------|---|
| Type | VGA TFT LCD |
| Size | 9" |
| Resolution (Pixel) | 1024x600 |
| Colors | 262,144 |
| View Angle | Vertical 120° / Horizontal 140° |
| Brightness | 300 cd/m2 |
| Backlight Life | 18,000 hrs |
| Contrast Ratio | 500 : 1 |
| System Specs | |
| CPU | DM&P Vortex86EX-400MHz |
| Cache | L1: 16KB I-Cache, 16KB D- Cache / L 2: 128KB Cache |
| Memory | 1GB DDR3 Memory Onboard |
| Watchdog Timer | Software Programmable from 30.5u to 512 Seconds x 2 Sets |
| Serial Port | RS-232 / 422 / 485 x 1 |
| USB Ports | USB Ports (Version 2.0) x 2 |
| Ethernet | Integrated 10/100M Ethernet |
| Audio | HD Audio-Realtek ALC262 CODEC |
| Internal Drives | Micro SD Slot |
| Touch Screen Type | Analog Resistive |
| Expansion Slot | None |
| Power Requirement | Single Voltage +5VDC (5A)/ Multi Voltage +8~+35VDC (8A) |
| Power Consumption | 10W |
| Operating Temperature | -20~ +60°C (-4 ~+140°F) |
| Storage Temperature | -30~ +70°C (-22 ~+158°F) |
| Operating Humidity | 0% ~ 90% Relative Humidity, Non-Condensing |
| Operating System | Linux, Win CE, Win XP, Win 7, Windows Embedded Standard |
| Dimensions | 236.6x146x35mm (9.31x5.75x1.38 inches) |
| Weight | 790g |
| Certificate | CE / FCC / VCCI / Vibration / Shock / IP65 (Front Panel) |

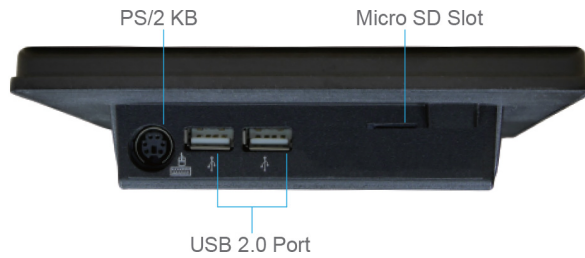
MECHANICAL DRAWINGS



Unit: mm

I/O OVERVIEW

RIGHT SIDE



LEFT SIDE

