

# Industrial Chassis/Surface Mount Metal Housing

Industrial Chassis/Surface Mount Metal Housing High Brightness 32"  
LCD 1920\*1080 380nits 3000:1 with VGA input



## Model: YCHR3200

### FEATURES:

- High contrast color TFT-LCD Monitor support resolution up to 1920 x 1080.
- Power management system conforms to VESA DPMS and EPA Energy Star standards.
- Universal Power adapter.
- Support DDC1 & DDC2B for Plug & Play compatibility.
- Advanced OSD control for picture quality adjustment.
- Detachable stand for wall-mounting adjustment.
- Heavy duty monitor with steel frame.
- Custom design by request.

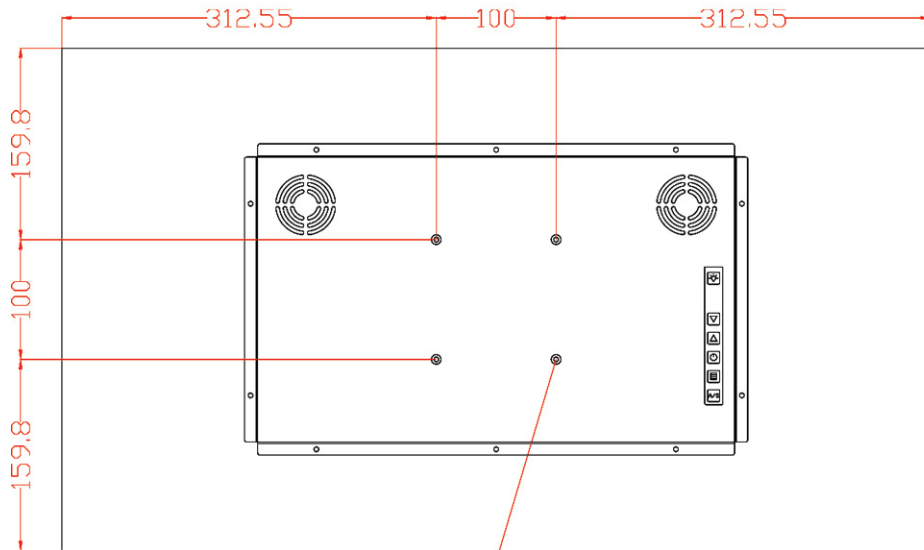
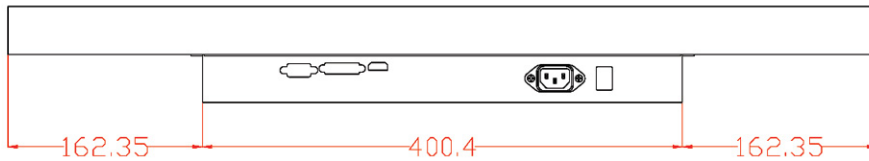
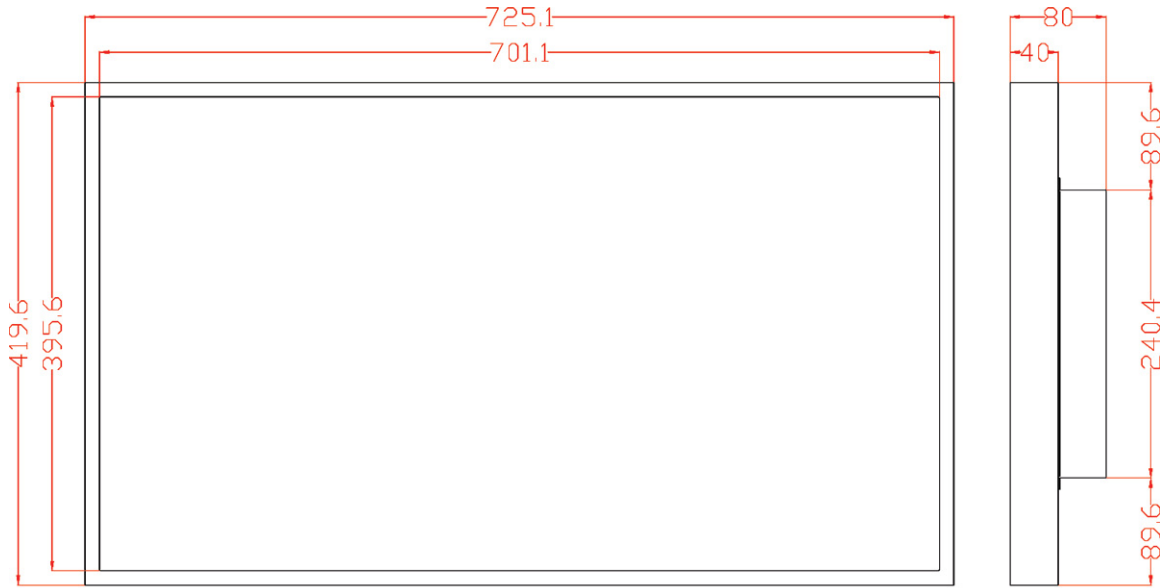
### System Specifications

| Item                     | Specification                   |
|--------------------------|---------------------------------|
| Panel Type               | 32-inch TFT LCD                 |
| Screen Diagonal          | 32-inch                         |
| Active Display Area (mm) | 698.4 (H) x 392.85(V)           |
| Pixel Pitch (mm)         | 0.3637 (H) x 0.3637 (W)         |
| Number of Pixels         | 1,920x1,080                     |
| Contrast Ratio           | 3000:1                          |
| Display Color            | 16.7M colors (8 bit)            |
| Brightness (cd/m)        | 380 cd/m                        |
| Viewing Angle(Typ.)      | 89 / 89 / 89 / 89 ( R/L/U/D)    |
| Signal Connector         | 15 PIN D-Sub,DVI-D              |
| Power Source             | AC100 ~ 240V, Universal +/- 10% |
| Power Management         | VESA DPMS Compliant             |
| Operating Temperature    | 0 ~ +50 °C                      |
| Storage Temperature      | -20 ~ +60°C                     |
| Plug & Play              | VESA DDC 1/2B                   |

\* Specifications are subject to change without notice

| Touch Screen (Optional)     | Signal Input                   | Color    | Other                   |
|-----------------------------|--------------------------------|----------|-------------------------|
| N: No touch screen or glass | C: VGA Only                    | B: Black | N: N/A                  |
| G: Glass                    | D: VGA + DVI-D                 |          | R: Bracket (rear mount) |
| R: Resistive, RS232         | E: VGA + DVI-D+Audio           |          | S: Stand                |
| U: Resistive, USB           | J: VGA + DVI-I+Audio<br>+ HDMI |          |                         |

**DIMENSIONS:**



unit=mm

M4 SCREW USER HOLE  
DP=8.0 MAX SCREW PENATRATION

*Note: this is a simplified drawing and some components are not made in detail.  
Please contact our sales representative if you need further product's information.*