

BROADCAST RUGGED CHASSIS/VESA PORTABLE HIGH BRIGHTNESS DAYLIGHT READABLE DISPLAY

21.5" Chassis LCD Monitor / 1920x1080 / 1500nits / 1000:1 / 0 ~50C /
VGA+DVI+HDMI input / 3mm AR glass / Front IP65 / Back louver /
handle on top / VESA mount

Model: YCIPW2150HB2



FEATURES:

- Modular mechanical design provides flexible product configuration and easy maintenance
- Optional build-in touch screen for interactive application
- Available with auto-brightness sensor offers application in day and night
- VGA connector with optional AV,SV,AV-Looping
- Complete custom design/solution for OEM customers

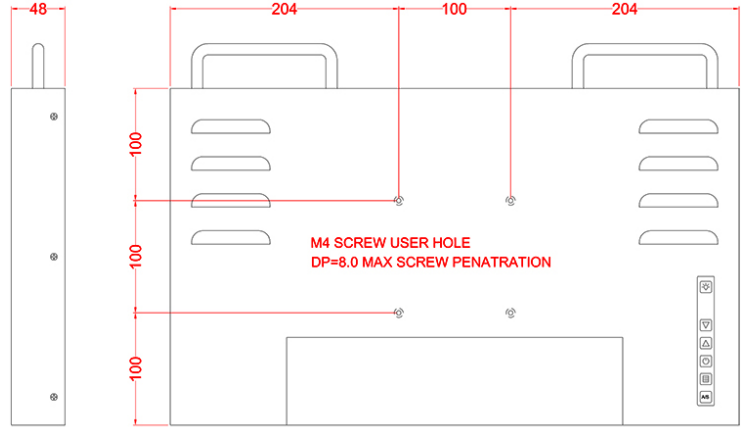
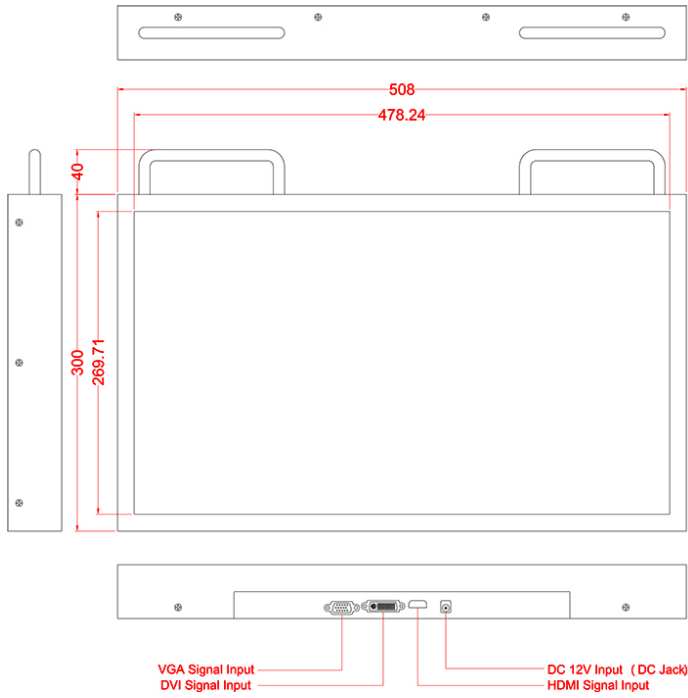
SPECIFICATIONS:

PANEL	Cell Type / Glass Surface	TFT LCD / Black Anti-Glare, low reflection coating	
	Aspect Ratio / Size	Wide / 21.5" viewable diagonal area	
	Active Area / Pixel Pitch	476.64(H) x 268.11(V) mm / 0.248(H) x 0.248(V) mm	
	Native Resolution / Colors	1920(H) x 1080(V) / 16.7M	
	Brightness / Contrast	1500 cd/m ² (typ) / 1000 : 1	
	Response Time	≤ 5 ms	
	Viewing Angle (typical)	H.170° (- 85° ~ + 85°) , V. 160° (- 80° ~ + 80°)	
Light Source	LED backlight, Long life, 35,000 hrs (typ)		
INPUT SOURCES	PC System	Signal	Analog RGB (0.7/1.0 V _{p-p} , 75 ohms)
		Sync	Separate Sync, Composite Sync, Sync On Green
		Frequency	F _n : 30 - 82Khz , F _v : 50 -75Hz
Speakers	Optional		
INPUT TERMINALS	1 x VGA (15 Pin Female D-Sub) , 1 x PC Audio (Stereo Headphone Jack) , 1 x DC Power Plug, DVI		
CONVENIENT FEATURES	Auto Calibration , Back Light Adjustment , Plug&Play (VESA DDC/CI, DDC 2B)		
	OSD Multi-Languages , Wall Mount Ready (VESA Dimension - please refer to Drawing)		
POWER	External Power supply		
POWER CONSUMPTION	Operation / Power Saving	Power Consumption TBD	
OPERATING	Temperature / Humidity	0°C ~ 50°C (32°F ~ 122°F) , 10% ~ 90% (no condensation)	
STORAGE CONDITION	Temperature / Humidity	- 20°C ~ 60°C (- 4°F ~ 140°F) , 10% ~ 90% (no condensation)	
CERTIFICATION	FCC , CE		
DIMENSIONS	Physical	Please refer to Drawing	
	Carton	W x H x D = TBD	
WEIGHT	N.W. / G.W.	8 Kgs / 9 Kgs	
CONTAINER LOADED	20ft / 40ft / 40ft HQ	TBD (Sets , By pallet)	

OPTIONS	Touch	Video / TV	Enhanced Panel	Others
	Resistive touch	SV + AV	Panel with LED backlight	Digital Signage(Stand alone)
	Capacitive touch	SV + AV + AV_Looping	High brightness panel	Networking Digital Signage
	SAW touch	SV + AV + TV	Wide Temperature	Motion Sensor
	Infrared touch		Sunlight Readable	Light Sensor
	Protected glass			Auto-Dimming

MECHANICAL DRAWING

Unit: mm



Note :

- (1) Unit : mm °
- (2) Unspecified tolerances are $\pm 0.5\text{mm}$.