

Industrial Chassis FLAT Surface Multi-Touch Monitor

10.1 True Flat Bezel PCAP Touch w/ USB Controller Dual touch Industrial Chassis
1280x800 / 300nits / VGA+DVI+HDMI input / PCAP 10-points
Touch with USB controller / Front IP66 / Panel mount / VESA mount

Model: YPMW1010-TPCT



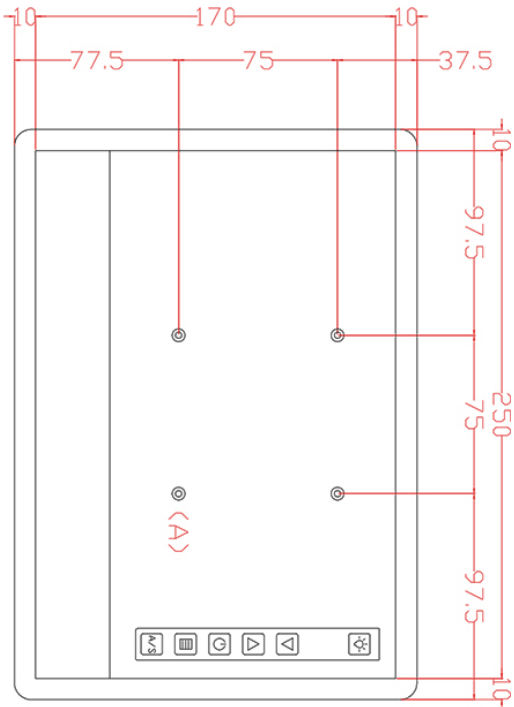
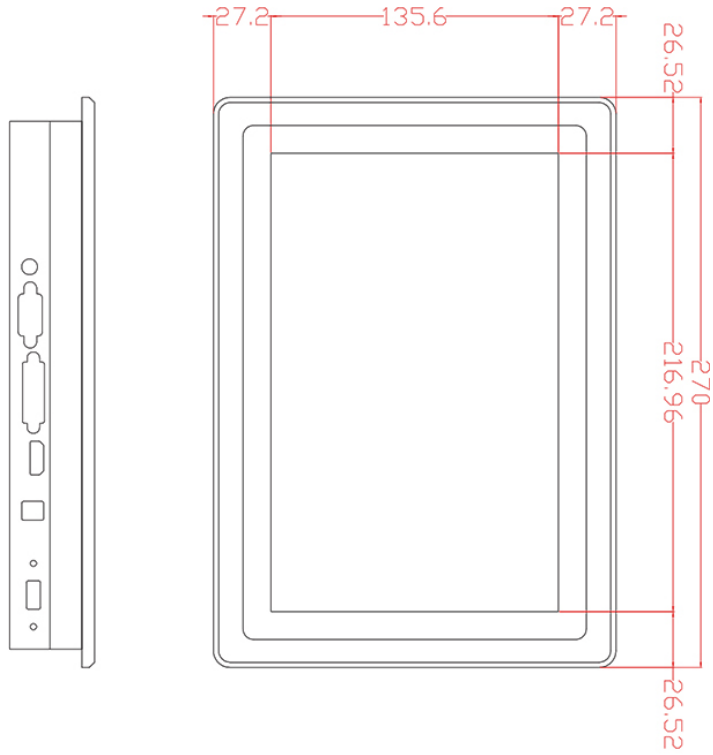
FEATURES:

- High contrast color TFT-LCD Monitor support resolution up to 1280*800.
- Power management system conforms to VESA DPMS and EPA Energy Star standards.
- Full consideration for touch screen installation and application.
- Universal Power adapter.
- Support DDC1 & DDC2B for Plug & Play compatibility.
- Advanced OSD control for picture quality adjustment.
- Detachable stand for wall-mounting adjustment.
- Heavy duty monitor with steel frame.

SPECIFICATIONS:

Panel Type	10.1-inch TFT LCD
Screen Diagonal	10.1-inch
Active Display Area (mm)	216.96(H) x 135.6(V)
Pixel Pitch (mm)	0.1695 X 0.1695
Number of Pixels	1280 x 3(RGB) x 800
Contrast Ratio	1300:1
Color Arrangement	R.G.B. Vertical Stripe
Brightness (cd/m²)	300 cd/m ²
Viewing Angle(Typ.)	85/85/85/85 (R/L/U/D)
Signal Connector	15 PIN D-Sub,DVI-D,HDMI
Power Source	DC12V(+/-10%)
Power Management	VESA DPMS Compliant
Operating Temperature	0 ~ +50 °C
Storage Temperature	-20 ~ +70°C
Plug & Play	VESA DDC 1/2B
Touch Type	Projected Capacitive Touch
Transparency	90%(typ).
Hardness of surface	7H
Linearity	±1.5%(max).

MECHANICAL DRAWINGS:



(A)×4 : M3 SCREW USER HOLE
 DP=8.0 MAX SCREW PENATRATTION
 (B)×4 : PANEL MDUNT USER HOLE