

Industrial IP65 Panel Mount LCD

Industrial LCD Monitor - with Aluminum Front Bezel

Industrial IP65 front Aluminum Front Panel Mount Metal Housing Glass AR coating. 19" LCD 1280x1024 350 nits 1000:1 with VGA+DVI input, Power Consumption 30 Watts, Rear OSD, including Clamp/VESA Mount. Gasket is not included.



Model: YPM1900

FEATURES:

- 19.0" SXGA TFT LCD with resolution up to 1280 x 1024.
- Suitable for military, tablet, ruggedized PC, kiosk, advertising, POS, marine, transportation, gaming, gas pump.
- Front Bezel IP65 (with glass or touch)
- Construction Front Panel : High quality aluminum bezel (anodic treatment)

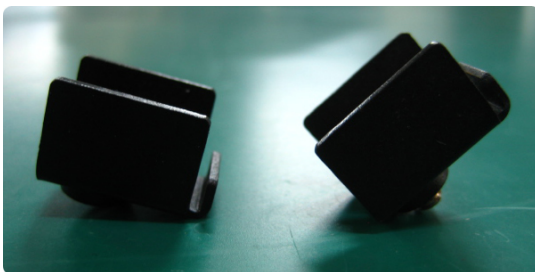
System Specifications

Brightness (cd/m ²)	350
Display Resolution (pixel)	SXGA(1280x1024)
Display Color	16.7M
Viewing Angles (CR≥10)	85 / 85 / 80 / 80
Contrast Ratio	1000:1
Response Time (msec)	5
Backlight Unit	LED

Order Information.

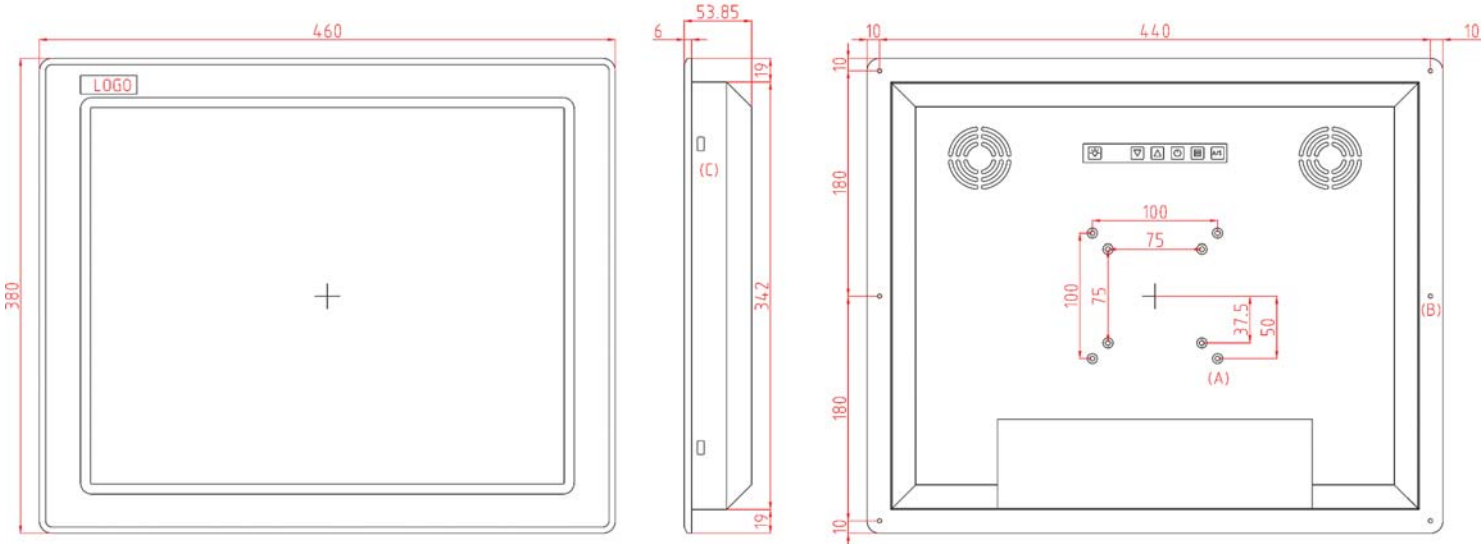
Touch Screen (Optional)	N: No touch screen or glass. G: Glass (AR Coating). R: 5-Wires resistive, RS-232. U: 5-Wires resistive, USB. S: 3M Microtouch capacitive, RS-232 B: 3M Microtouch capacitive, USB.	Signal Input	C: VGA only. D: VGA + DVI-D. E: VGA + DVI-D + Audio. J: VGA + DVI-I + Audio + HDMI. L: VGA + S-Video + CVBS.
		Front Panel Color	B: Black S: Silver

Clamp Mount



Mechanical Drawing:

Unit:mm



- (A)x8 : M4 SCREW USER HOLE
DP=8.0 MAX SCREW PENETRATION
- (B)x6 : M4 SCREW USER HOLE
DP=4.0 MAX SCREW PENETRATION
- (C)x8 : PANEL MOUNT USER HOLE