

Industrial KEYBOARD

Panel Mount Stainless Steel with Touchpad, 10-Year Lifespan

Integrated Touchpad, Integrated, programmable function keys

Low-profile stainless steel keys Vandal Proof design

16.25" x 5.11" x 1.25" (w-h-d) 412.8mm x 129.8mm x 31.8mm

CUTOUT: 15.76" x 4.62" (w-h) 400.3mm x 117.3 mm



Model: YK-PM600-SS

Stainless steel panel mount keyboards are durable, cleanable and easily customized to fit the unique demands of its application. It integrates an industrial touchpad for controlled usability. For public display kiosks, these features create a waterproof, environmentally durable solution perfect for harsh kiosk implementations. Because most kiosks do not require supervision by operators or retailers, these products help prevent theft and damage by vandals through stainless steel keys, an easily mountable design and unparalleled durability.

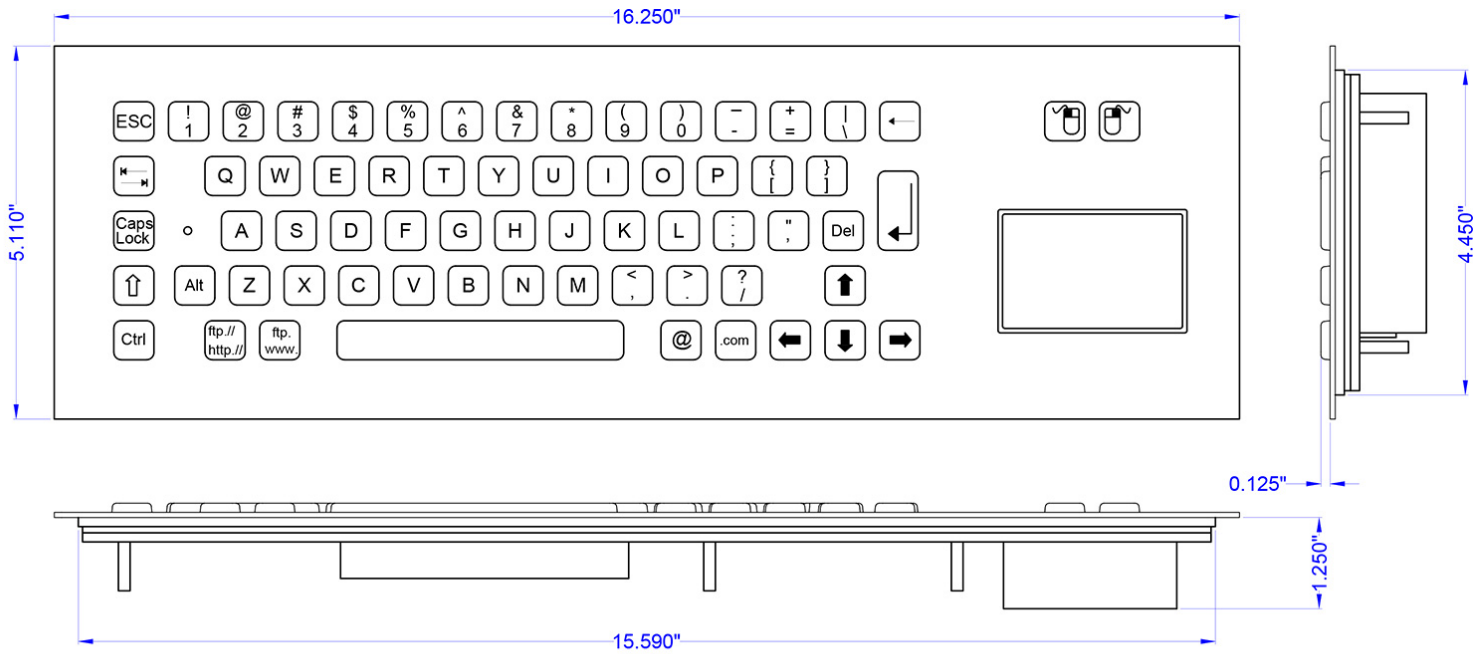
FEATURES:

- 10-Key Numeric Pad
- Integrated Touchpad
- Integrated, programmable function keys
- Low-profile stainless steel keys
- Vandal Proof design

SPECIFICATIONS:

CERTIFICATIONS	Meets or exceeds: IEC 60512-6 IEC 60512-4 IP65 FCC Part 15, Class B
SHOCK	3 x 11 ms pulses of 50g on each of 3 axes
CABLE	LENGTH: 7' straight
KEY SWITCH	MATERIAL: Industrial Silicone Rubber LIFE: Greater than 10 Million Cycles TRAVEL: 0.055 in. (1.4mm) ACTUATION FORCE: 6.35 oz. +/- 0.70 oz. (180g +/- 20g)
VIBRATION	POWER SPECTRAL DENSITY: 0.04g/HZ FREQUENCY RANGE: 20Hz-2Khz DURATION OF TEST PER AXIS: 3 hours
POWER	KEYBOARD: 5V@20ma (from CPU port) TOUCHPAD: 5V@10ma (from mouse connection port)
COMPATIBILITY	USB KEYBOARD: All Windows and Macintosh OS
TEMPERATURE RANGE	STORAGE: -40C to +90C(-40F to +194F) OPERATING: -40C to +60C (-40F to +140F)
WEIGHT	4.00 lbs +/- 0.10 lbs (1.84 kg +/- 0.05 kg)
WARRANTY	1 year limited warranty
HUMIDITY	100%
DIMENSIONS	16.25" x 5.11" x 1.25" (w-h-d) 412.8mm x 129.8mm x 31.8mm CUTOUT: 15.76" x 4.62" (w-h) 400.3mm x 117.3 mm

MECHANICAL DRAWING



KEY SWITCH

MATERIAL: Industrial Silicone Rubber
 LIFE: Greater than 10 million cycles
 TRAVEL: 0.055 in.
 ACTUATION FORCE: 6.35 oz. (180g)
 FEEDBACK: Tactile with Mechanical Snap

POWER

KEYBOARD: 5V@20ma (from CPU port)
 TOUCHPAD: 5V@10ma (from mouse connection port)

TEMPERATURE

STORAGE: -40° F to +194° F (-40° C to +90° C)
 OPERATING: -40° F to +140° F (-40° C to +60° C)

SHOCK

3 X 11 ms pulses of 50g on each of 3 axis

HUMIDITY

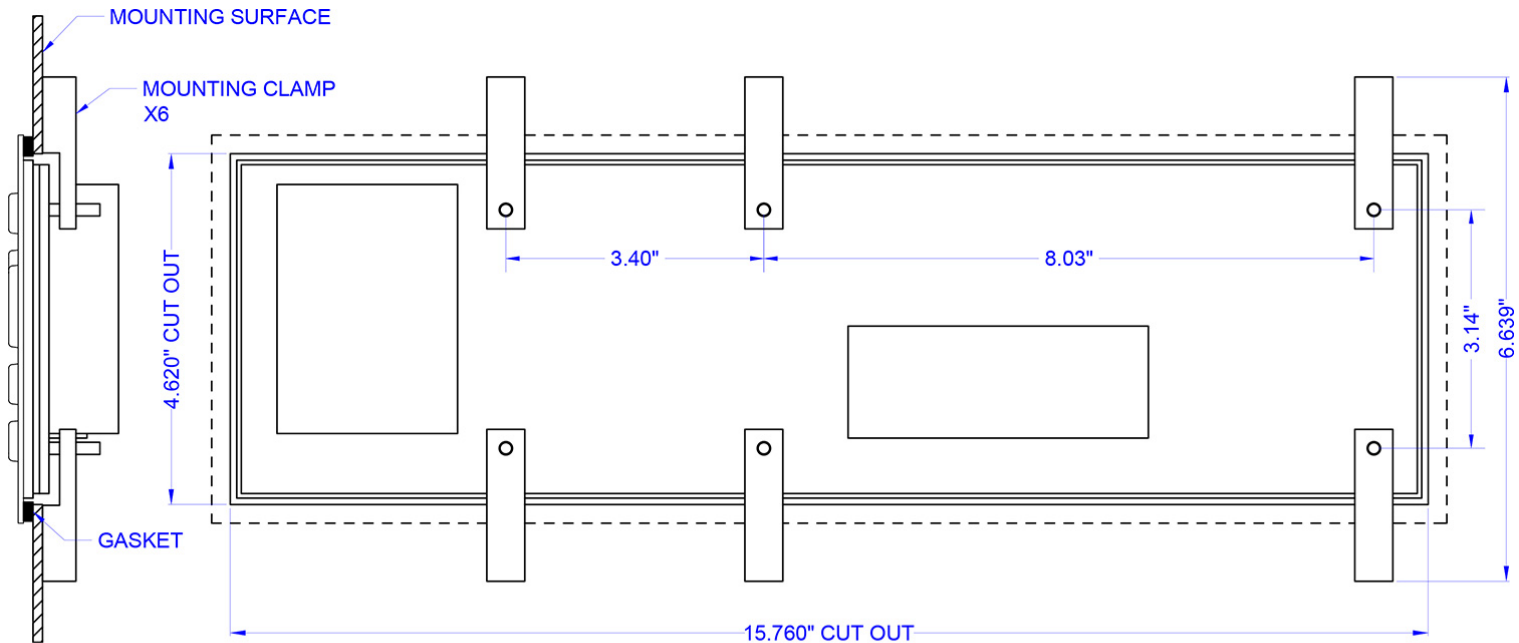
100% Humidity Resistant

FLAMMABILITY

PRINTED CIRCUIT BOARD: 94VO
 SILICONE OVERLAY: 94HB
 INTERFACE CABLE: 94VO

VIBRATION

POWER SPECTRAL DENSITY: .04g/HZ
 FREQUENCY RANGE: 20Hz-2Khz
 DURATION OF TEST PER AXIS: 3 hours



MOUNTING INSTRUCTIONS

1. PLACE UNIT IN 4.62" X 15.76" CUT OUT
2. RECOMMENDED PANEL THICKNESS IS 0.060" TO 0.125"
3. INSTALL ALL 6 MOUNTING CLAMPS USING 8-32 HEX NUTS