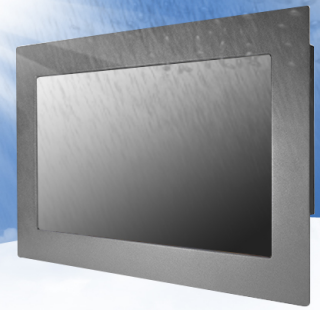


Industrial IP65 Panel Mount LCD

Industrial LCD Monitor with (Aluminum-6mm)

12.1" Wide 6mm Aluminum Front Bezel True Flat Design, 1280x800
1000nits LED / VGA+DVI+HDMI input / Rear OSD / Panel mount
DC 9-36V Power input/ PCAP Touch with USB controller
(10-points touch for Win 7) / -30-85C



Model: YPMW1210PHB-FPCT10

FEATURES:

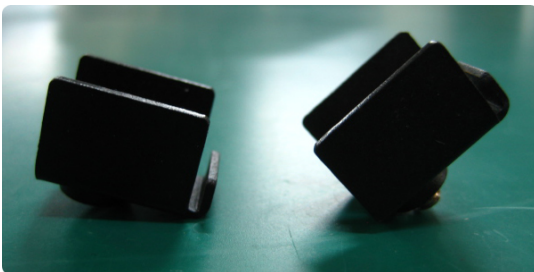
- 12.1" VGA TFT LCD with resolution 1280x800
- Suitable for military, tablet, ruggedized PC, kiosk, advertising, POS, marine, transportation, gaming, gas pump.
- Panel Mount (Aluminum-6mm)

SYSTEM SPECIFICATIONS

Display Type	12.1" TFT-LCD
Panel	
Display Color	262K/16.2M colors
Brightness (cd/m ²)	1000nits
Display Resolution (pixel)	VGA(1280 x 800)
Viewing Angles (CR≥10)	89/89/89/89
Contrast Ratio	1000 : 1
Backlight Unit	LED
Response Time (msec)	25ms
Environmental	
Temperature	
Operation	-30°C~85°C
Storage	-30°C~85°C
Touch	PCAP Touch with USB controller (10-points touch for Win 7)

**Specifications subject to change without notice, not responsible for typographical errors.*

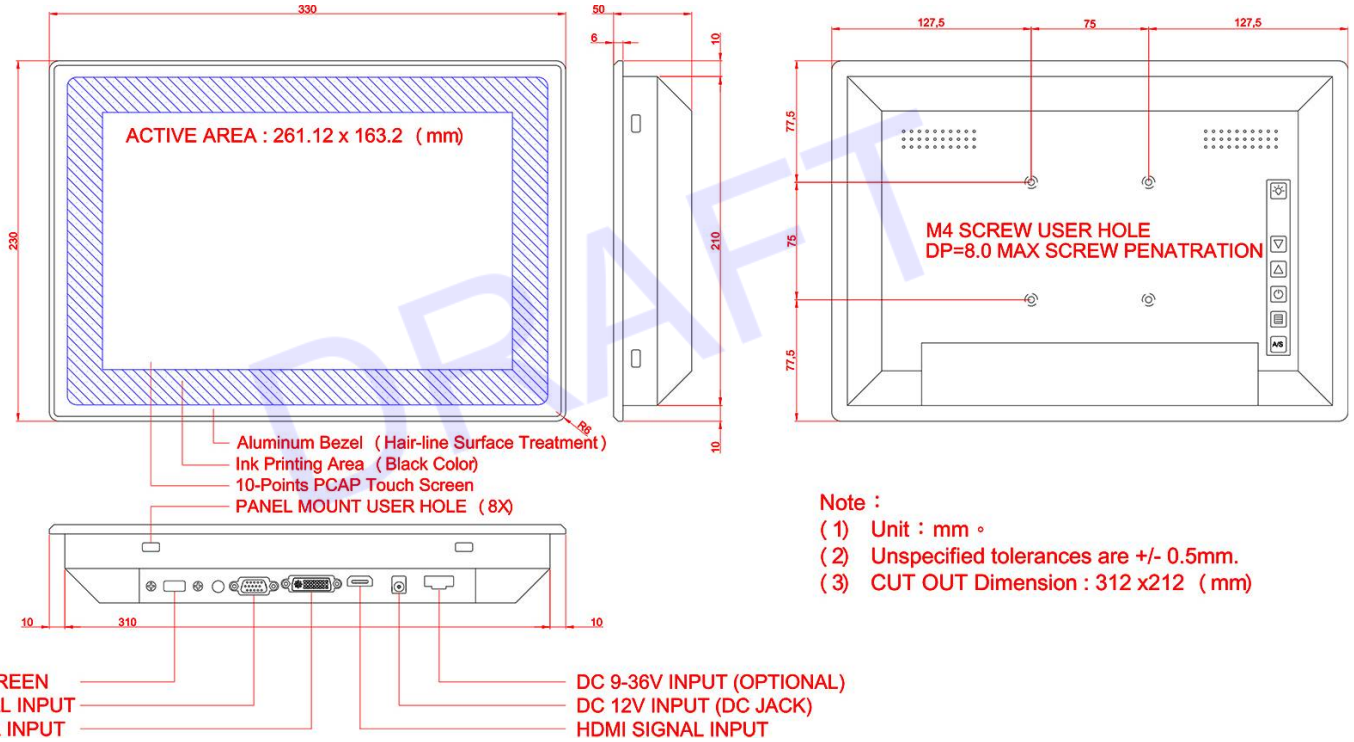
CLAMP MOUNT



MECHANICAL DRAWING:

This is subject to change without Notice. Final Drawings Will be Provided for Approval after Order.

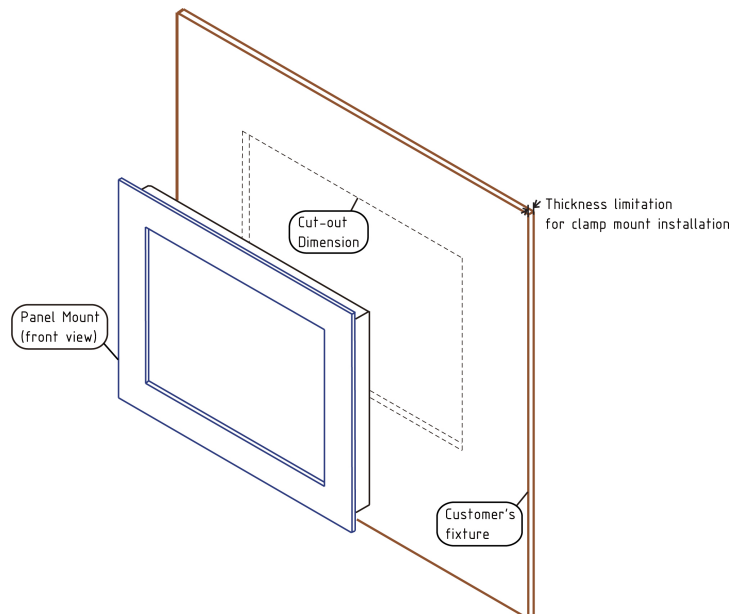
Unit:mm



Drawing No.: YPMW1210PHB-FPCT10-04062023-V1

INSTALLATION GUIDE FOR PANEL MOUNT PRODUCT:

You better have at least 2 people to do the installation. One is at the front side of the mounting wall, another is at the back side of the mounting wall.



1. Get the Mechanical Drawing :

You can get the mechanical drawing of your product model from our web site : www.itechlcd.com . If you can't find the correct mechanical drawing, contact your local dealer.

2. Make the cut out :

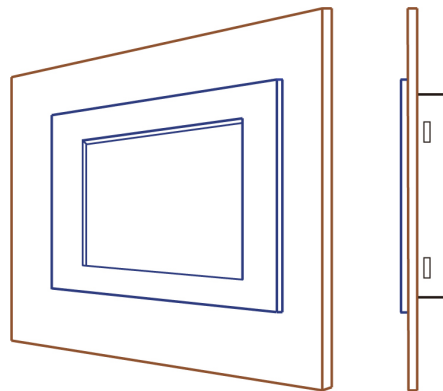
There is the cut out dimension in the Mechanical Drawing. Make sure your cut out meet the cut out dimension requirement. If the cut out is too small, there will be some interference. If the cut out is too big, you can't have the panel mounting securely. Please note that there is thickness limitation of the mounting wall for panel mount installation.

3. Prepare the accessory :

For panel mounting kit installation, you will receive mounting kits and screws together with your unit and you have to prepare the screw driver by yourself. There are at least 2 mounting kits for each side of the panel. The mounting kit and the screw is paired.

4. Installation :

4-1. Put the monitor in the cut out from the front side of the mounting wall. The best way to mount the panel is to align the bottom of the panel housing with the bottom edge of the cut out. This way can help hold the panel steadily.



4-2. At the back side of the mounting wall, insert the mounting kits into the slide hole at the side bracket on the panel.

4-3. Put the screw on the mounting kits and screw it tightly.

4-4. Finish all the mounting kits one by one then you can have a secure installation for your Panel Mount product.

