

Industrial Panel Mount LCD

Industrial LCD Monitor - with Aluminum Front Bezel

IP65 Front Panel Mount (Aluminum-10mm), 15.6" / 1366x768 / 1000nits / Aluminum Front Bezel / Flat design / Front IP65 / 6mm Tempered Glass / Projected Touch Screen (USB)(2 point in Win7) / VGA +DVI+ HDMI / Panel mount / VESA mount



1000 nits

Model: YPMW1560IPHB-PCAP-VR

FEATURES:

- Modularize mechanical design provides flexible product configuration and easy maintenance
- Power Optional build-in touch screen for interactive application.
- Full Available with auto-brightness sensor offers application in day and night.
- VGA connector with optional AV, SV,AV-Looping.
- Complete custom design/solution for OEM customers
- External OSD Box "Up" and "Down" to Control Brightness directly.

SYSTEM SPECIFICATIONS:

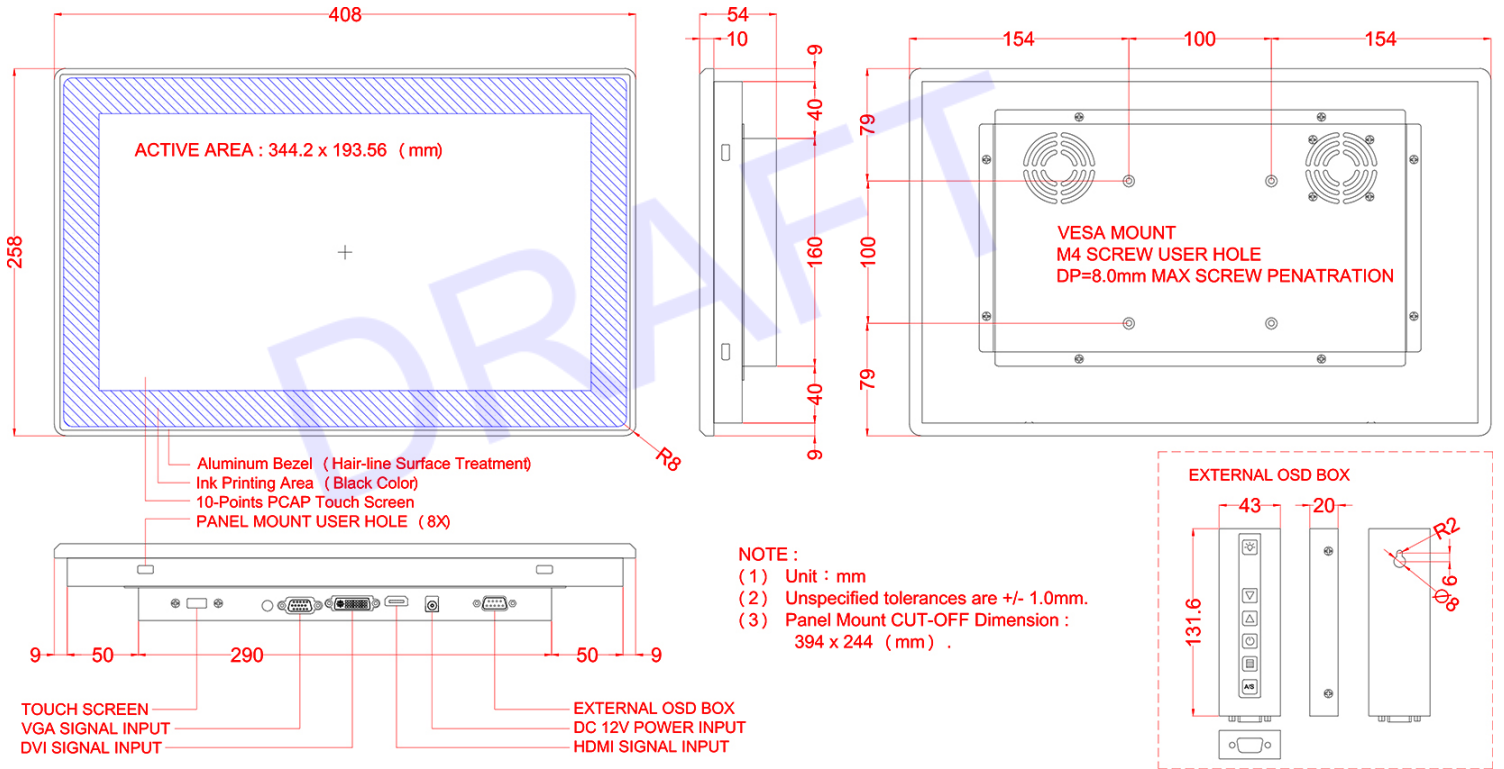
Panel	Cell Type / Glass Surface	TFT LCD / Black Anti-Glare, low reflection coating	
	Aspect Ratio / Size	Wide / 15.6" viewable diagonal area	
	Active Area / Pixel Pitch	344.2(H) x193.56(V) mm / 0.2588(H) x 0.2588(V) mm	
	Native Resolution / Colors	1366(H) x 768(V) / 16.7M	
	Brightness / Contrast	1000 cd/m ² (typ) / 500 : 1	
	Response Time	≤ 8 ms	
	Viewing Angle (typical)	H.90° (- 45° ~ + 45°) , V. 50° (- 30° ~ + 20°)	
	Light Source	LED backlight, Long life, 35,000 hrs (typ)	
Input Sources	PC System	Signal	Analog RGB (0.7/1.0 V _{p-p} , 75 ohms)
		Sync	Separate Sync, Composite Sync, Sync On Green
		Frequency	F _h : 30 - 82Khz , F _v : 50 -75Hz
	Audio System	2W speaker x 2	
Input Terminals	VGA, DVI, HDMI, 1 x PC Audio (Stereo Headphone Jack) , 1 x DC Power Plug		
Convenient Features	Auto Calibration , Back Light Adjustment , Plug&Play (VESA DDC/CI, DDC 2B)		
	OSD Multi-Languages , Wall Mount Ready (VESA Dimension - please refer to Drawing)		
Power	Internal power supply with universal / Auto-Sensing, AC90 to 260V, 50/60 Hz		
Power Consumption	Operation / Power Saving	10.625 watt , < 1 watt (Support DPMS)	
Operating Condition	Temperature / Humidity	0°C ~ 50°C (32°F ~ 122°F) , 10% ~ 90% (no condensation)	
Storage Condition	Temperature / Humidity	- 20°C ~ 60°C (- 4°F ~ 140°F) , 10% ~ 90% (no condensation)	
Certification	FCC , CE		
Dimensions	Physical	Please refer to Drawing	
	Carton	W x H x D = TBD	
Weight	N.W. / G.W.	4.5 Kgs / 5.5 Kgs	
Container Loaded	20ft / 40ft / 40ft HQ	TBD (Sets , By pallet)	

Options	Touch	Video / TV	Enhanced Panel	Others
	Resistive touch	SV + AV	Panel with LED backlight	Digital Signage(Stand alone)
	Capacitive touch	SV + AV + AV_Looping	High brightness panel	Networking Digital Signage
	SAW touch	SV + AV + TV	Wide Temperature	Motion Sensor
	Infrared touch		Sunlight Readable	Light Sensor
	Protected glass			Auto-Dimming

*Specifications subject to change without notice, not responsible for typographical errors.

MECHANICAL DRAWING:

This is subject to change without Notice. Final Drawings Will be Provided for Approval after Order.



Drawing No.: YPMW1560IPHB-PCAP-VR-03012023-V1

FLAT DESIGN

