

19" COMMAND CONSOLE EDT Model: Zmil-219Wc



Ultra-Rugged C4ISR Operating Console.

The Command Console EDT (Embedded Desktop) is designed for seamless desktop installation, delivering a low-profile display system with integrated keyboard and trackball. Combining a 1280 x 1024 native resolution LCD (with scaled support up to 1920 x 1200) display with durable, field-replaceable keyboard/trackball components, the next-generation Command Console is the ideal C4ISR operating station.

Stow-and-Go Protection.

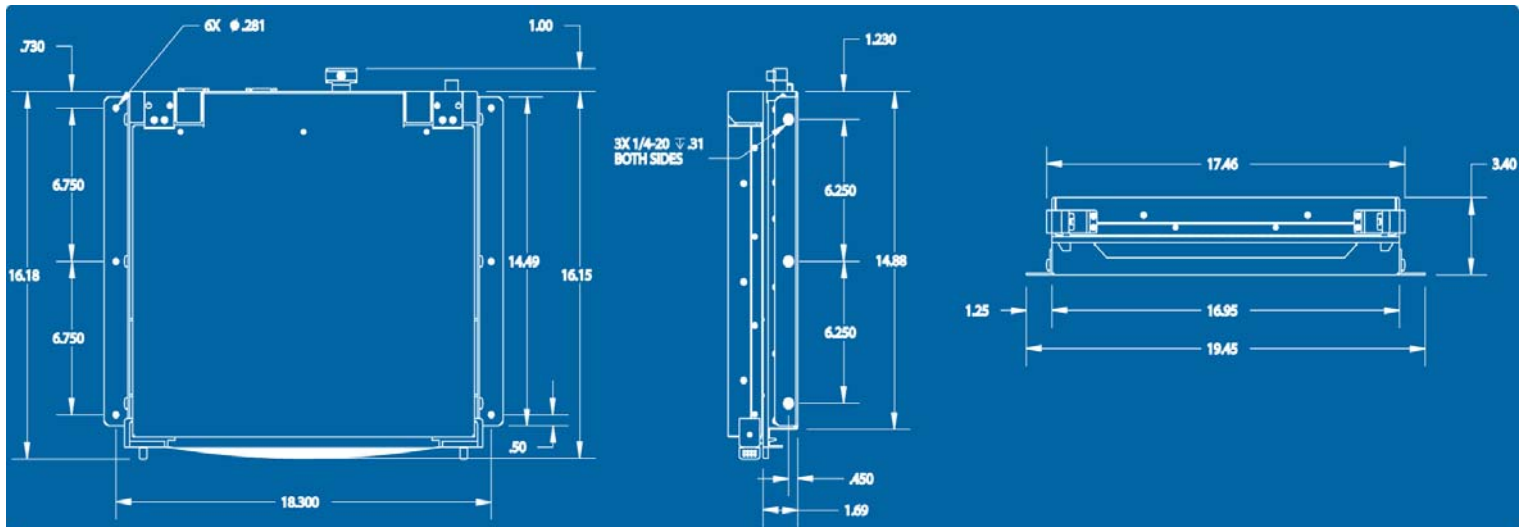
For rapid deployment, the Command Console EDT is equipped with dual quick-lock/release mechanisms, protecting and locking the display panel firmly in place. Adjustable custom torque hinges allow for the display supports to be customized for the optimal viewing angle, even in turbulent conditions. The Command Console EDT is manufactured from lightweight, aircraft-grade, CNC machined aluminum and finished with a tough, baked-on powder coating to provide strength, durability, and reliable performance in any environment.

New Technology for the Legacy Command Console.

Command Console design is still supported and improving. Optional Picture in Picture (PIP) outputs can be added to display more video feeds and reduce the total required display count. Now injected with 3rd generation video controller and electronics, the Command Console offers more than ever, including Real-Time Enhanced Video (RTEV) algorithm processing for improved full-motion video and imagery without latency.

- 1280 x 1024 resolution (scaled support to 1920x1200)
- Ultra-rugged deployable 2U desktop operator station
- Manufactured from lightweight machined-aluminum
- Field-replaceable & waterproof keyboard/trackball
- MIL-STD-810G & MIL-STD-901D Tested
- Real-Time Enhanced Video (RTEV) capable
- Dual-channel DVI-I (analog & digital) support
- Custom torque-adjustable display hinge supports
- Supports up to 2 Picture-in-Picture (PIP) viewing
- On-screen display menus & GUI support
- Up to 178 degree viewing angle

Mechanical Drawing



Technical Specifications

LED Display		
Active Display Area	19"	
Native Pixels	1280 x 1024, SXGA (scaled support up to 1920 x 1200)	
Screen Type	LCD (Integrated LED driver board)	
Color Palette	8-bit	
Contrast Ratio	2000:1	
Brightness	600 cd/m ²	
Viewing Angle	Full +/- 89°	
Controls	User Accessible On Screen Display Control Panel or GUI SoftMenu Support	
Display Options	Optically bonded Anti-Reflective Shield	
Physical		
Size	3.40" H x 16.95" W x 16.93" D	
Weight	Approximately 23 lbs. (24.5 lbs. w/ handles attached)	
Power		
Power Supply	Internal 110-220VAC, 2.0A input @ 50-60Hz, 400Hz	
Input Connectors		
Video Signals (Main & PIP)	DVI-I (Analog & Digital support); 2 channels	
Power Cable	6' cable, 1x IEC C14 Inlet Connector Standard, MIL-C-5015 Connector	
Trackball & Keyboard Interface	6' USB or PS2 (PS2 available with locking bracket support)	
Environmental		
Operating Temp	0°C to +50°C	MIL-STD-810G
Non-Op Temp	-30°C to +70°C	MIL-STD-810G
Humidity	5% to 95% Non condensing	MIL-STD-810G Method 507.5 Procedure II, 240 hr duration (10 cycles)
Non-Op Altitude	Up to 40,000 ft.	
Operating Altitude	Up to 10,000 ft.	
Vibration	Fixed Winged Aircraft and Surface Ships	DO-160 Section 8 Curve B
Shock	40g's, 11ms, Saw-tooth	MIL-STD-810F Section 516.5 MIL-STD-901D Grade A Hammer Test (Available on Specific Configurations)
Crash Safety	MIL-STD-810G Method 516.5	
EMI/EM	RE101 (Army Limits), RE102 (Aircraft>25m) (Shipboard levels), RS101, RS103 (Up to 60v/m), CE102, CS114 Curve 3, CS115, CS116	MIL-STD-461F
Fungus	Non-Nutrients/Contaminants	
Regulatory		
Safety	IEC 60950 (Used as a Guideline)	
Quality/Workmanship	IPC/ISO 9001:2008 and applicable sections of MIL-HDBK-454	
Reliability		
MTBF	50,000 hrs	
MTTR	<20 Minutes at the replacement unit (LRU) level	
MIL-SPEC		
Improved environmental limitations can be achieved with additional enhancement options & testing		

* Typical design specification - may vary between units.

** Figures are subject to change without notice. For more information, please contact your local iTech Sales Representative.

