

Fanless PANEL PC



Fanless Panel PC 17" Atom D525 1.8GHz ICH8M 2GB (Max2GB) 2.5" 320GB 2 GigaLAN 4 COM3 @ 422/485 120W Adapter XP Pro 350 cd/m2

Model: BBC1700D

Features:

- Fanless
- High Performance Intel D525 Processor
- Resistive Touch screen
- Supports 2GB DDR3 800MHz Memory
- LED Backlight LCD Panel
- Optional Wide Range DC 11-32V Input

Specifications

Processor System Intel Atom D525 1.8 GHz
Memory 1 x 204 Pin SO-DIMM socket, supports DDR3 800 Mhz, up to 2 GB
System Chipset Intel ICH8M
External I/O Port

- 4 x USB ports
- 2 X RJ-45 ports (GbE)
- 1XDB-15VGA
- 1 x DB-9 RS-232COM1/COM2
- 1 x DB-9 RS-422/485 COM3 (default:RS-485)
- 1 x DC 3 Pin terminal block power input
- 1 x 8 Pin terminal block 2in/2out GPIO, power switch and VCC
- 1 x Audio Line-out 3.5mm jack

Storage 1 x CF slot (External) for Option
1 x 2.5" SATA HDD

Expansion Slots None
OS Support Windows CE 6.0, XP Pro, XP Embedded, Windows Embedded Standard 7

LCD
Display Type Max. 17" TFT-LCD
Resolution Max. 1280x1024
Color 16.7M
Luminance (cd/m²) 350
View Angle H:170° / V:160°
Backlight Lifetime 50,000hrs

Touchscreen
Type Resistive Touch
Light Transmission 80%

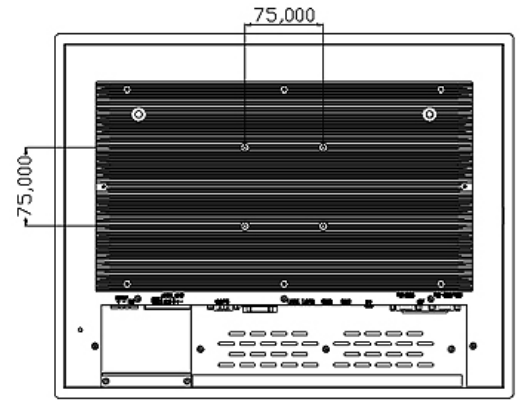
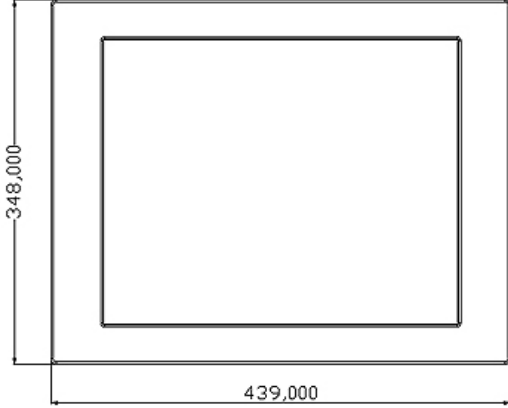
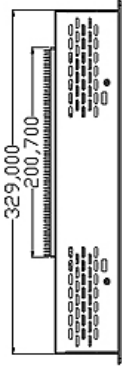
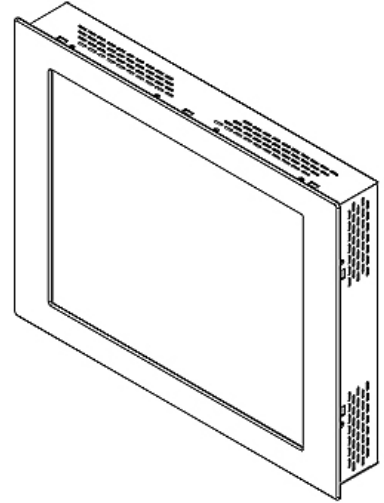
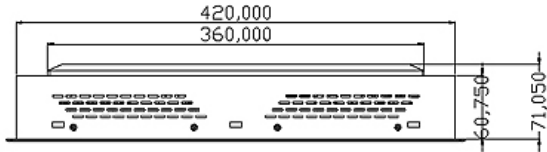
Power Supply
Power Input DC 12V/DC 11~32V(option)

Mechanical
Construction Steel Enclosure
IP Rating Front Panel IP 65 Compliance
Mounting Panel / VESA 75x75 Mount
Dimension 439(W)x348(H)x71.1(D) mm

Environmental
Operating -20-50 °C
Storage Temperature -30-60 °C
Storage Humidity 10-90% @40 °C non-condensing
Certificate CE/FCC Class A Compliance



Mechanical Drawings



Mounting Hole