



# Industrial Panel PC for Automation

12.1" Flat Panel Design Panel PC, Intel® Atom™ E3845 1.91GHz, DDR3L SO-DIMM 4GB, with 32G SSD, projected capacitive touch, w/o power adaptor

## Compact Panel PC

Model: iBPC1210AT

### Highlight

- Supports Intel® Atom Processor
- Very low power consumption
- Flat panel design with projected capacitive touch
- 9V~30V DC wide-range power input
- IP65 front-panel waterproof protection

### Features



Fan-less design

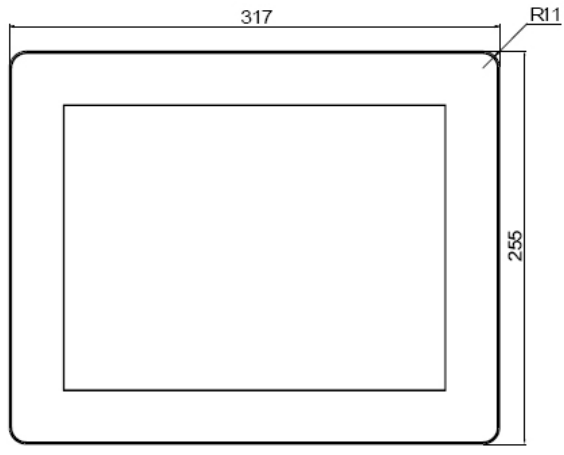
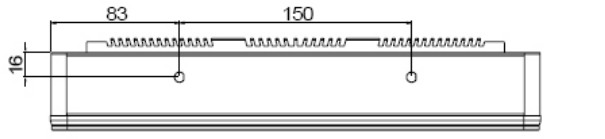


Easy accessible 2.5" HDD storage

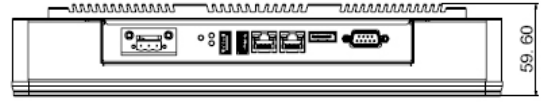
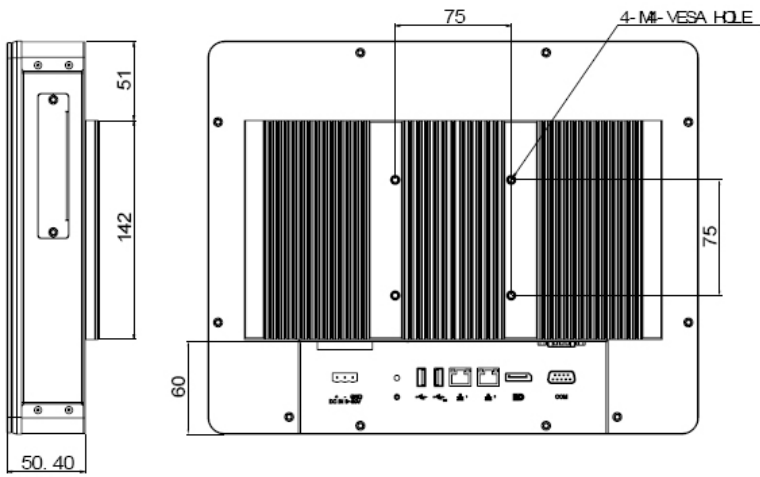
### I/O View



Compact size



### Mechanical



## Specifications

<b>System</b>	
Processor	Intel® Atom™ E3845 (Quad-Core @ 1.91GHz)
System Memory	2x DDR3L SO-DIMM, up to 8GB, Default DDR3L 4GB(4GBx1)
<b>External I/O</b>	
USB	1x USB 3.0 flag type, blue color 1x USB 2.0 Type A flag type
Serial/Parallel	1x D-SUB9 RS-232/422/485 COM1
Audio	None
Graphics	1x DP port
LAN	2x Gigabit LAN (RJ45)
Digital I/O	None
Keyboard/Mouse	None
Membrane Control	None
Power	1x 3pin DC power connector 1x Power on/off switch
<b>Storage Space</b>	
HDD	1x 2.5" SATA2
Movable Slot	1x 2.5" SATA HDD easy accessible, default 32G SSD
<b>Expansion</b>	
Onboard Expansion Bus	1x mSATA/mPCIe(x1) w/ USB signal [Half-sized] 1x mSATA/mPCIe(x1) w/ USB signal and mSATA supported [Full-sized]
Expansion Slot	None
<b>Display</b>	
Display Type	12.1" TFT-LCD
Max. Resolution	1024 x 768
Max. Color	16.7M
Luminance (cd/m2)	350
View Angle (H°/V°)	160/160
Contrast	800:1
Backlight Lifetime (hrs)	30000
<b>Touchscreen</b>	
Type	Projected capacitive touch
Interface	USB
Light Transmission (%)	85
<b>Power</b>	
Power Input	9~30V DC input
<b>Mechanical</b>	
Construction	Aluminum front bezel and white steel back cover with aluminum heat-sink
IP Rating	IP65 front bezel
Mounting	VESA 75 x 75mm
Dimensions (mm)	317 x 255 x 59.6
Net Weight (kgs)	4.6kgs
<b>Environment</b>	
Operating Temperature(°C)	0°C~ 40°C(with HDD/CFast)/ 0°C~ 50°C (with SSD)
Storage Temperature(°C)	-20°C~60°C
Storage Humidity	10%~90% (non-condensing)
Certification	CE/FCC Class B
Operating System Support	Windows 8 32/64bit, Windows 7 Pro for Embedded 64bit, WES7 64bit