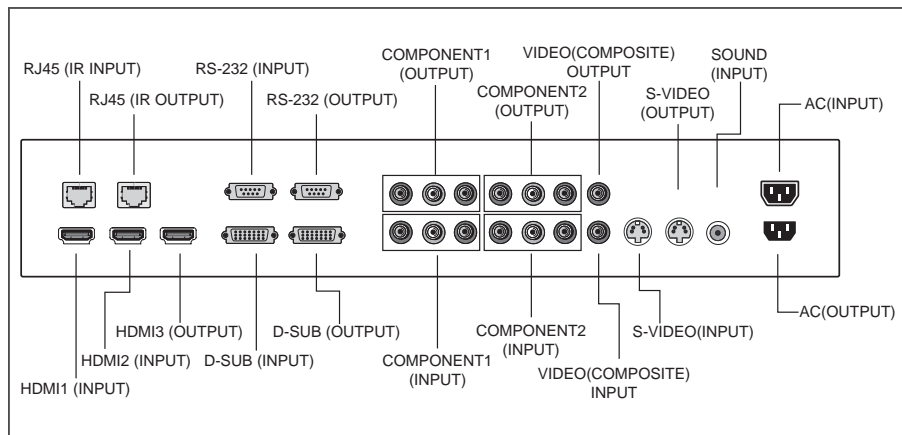


Contents

● Contents	2
● Controls	3
● Connection	4-5
IR Connection	4-6
VIDEO Connection	7-9
Component 1/2 Connection	10-12
PC RGB Connection	13-15
RS-232 Connection	16-18
HDMI Connection	19-21
S-VIDEO Connection	22-24
● Setting up Multivision	25
Setting the TV Set No.	25
Setting the Set Matrix	25
Setting the Set Position No.	26
Setting the Control Set No.	26
● Picture Controls	27
● Special Function Controls	28
N.R.(Noise Reduction)	28
Blue Back	28
● Setup Function Controls	29
H /V-Positon	29
H /V-Size	29
Reset	29

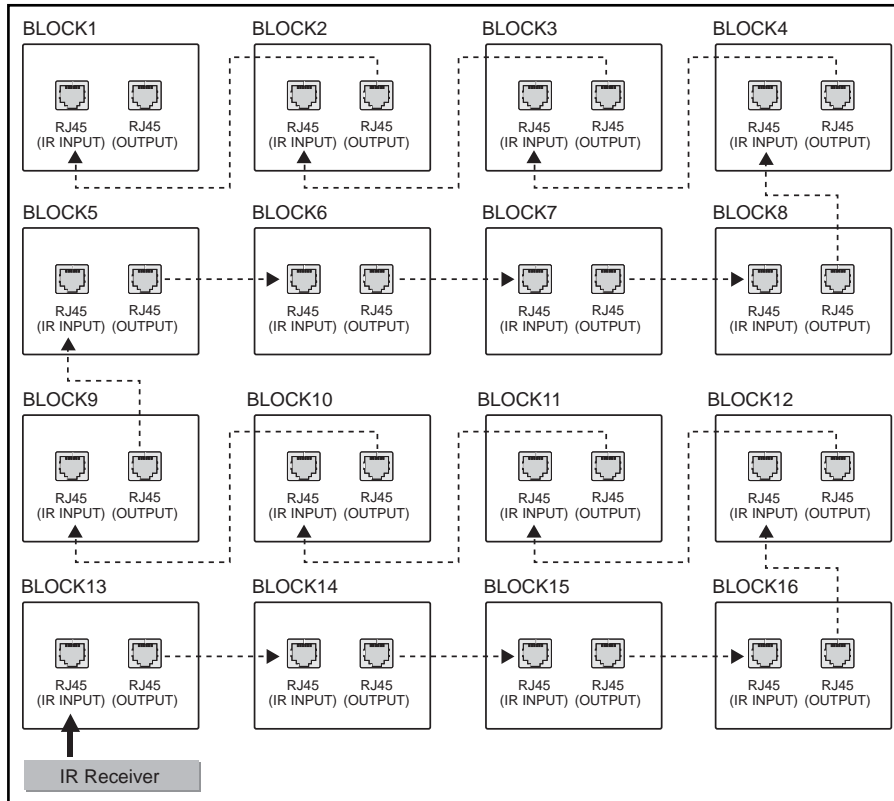
Controls



- RJ45 (IR INPUT)
- RJ45 (IR OUTPUT)
- RS-232 (INPUT)
- RS-232 (OUTPUT)
- COMPONENT Y Pb Pr 1 (INPUT)
- COMPONENT Y Pb Pr 1 (OUTPUT)
- COMPONENT Y Pb Pr 2 (INPUT)
- COMPONENT Y Pb Pr 2 (OUTPUT)
- VIDEO(COMPOSITE) INPUT
- VIDEO(COMPOSITE) OUTPUT
- S-VIDEO INPUT
- S-VIDEO OUTPUT
- HDMI1 (INPUT)
- HDMI2 (INPUT)
- HDMI3 (OUTPUT)
- D-SUB (INPUT)
- D-SUB (OUTPUT)
- SOUND (INPUT)
- AC INPUT
- AC OUTPUT

+ Connection

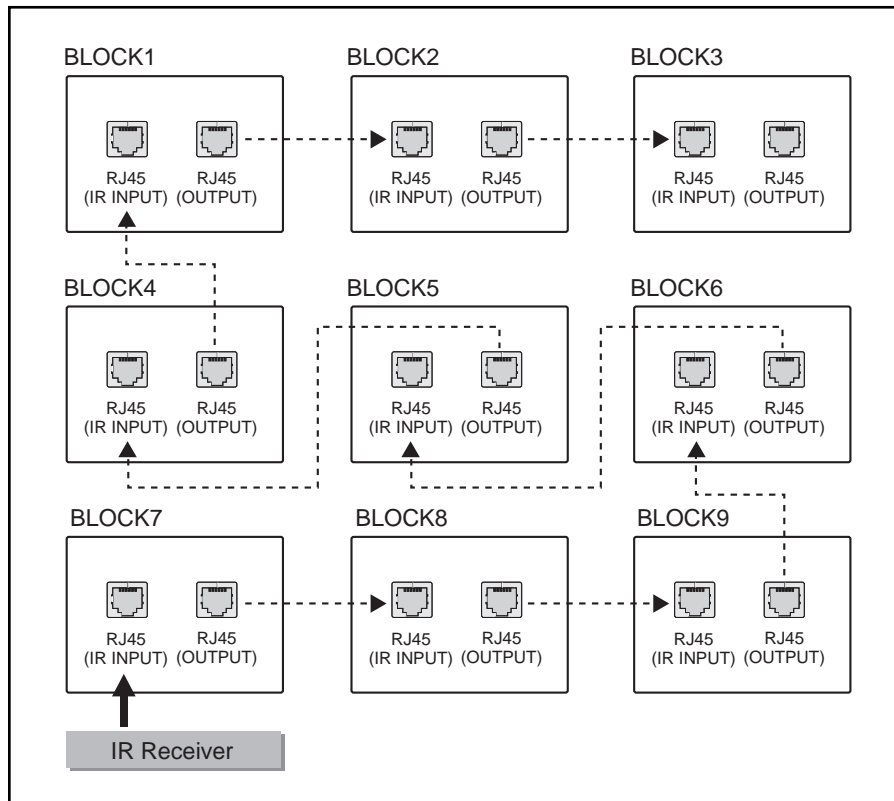
1-1. IR Connection - 4 * 4



1. First, connect IR Receiver to '**RJ45 IR INPUT**' of desired TV set.
2. Connect it to '**RJ45 IR OUTPUT**' of the same TV set or '**RJ45 IR INPUT**' of the next TV set.
3. In this way, connect in turn as shown in picture.

Connection

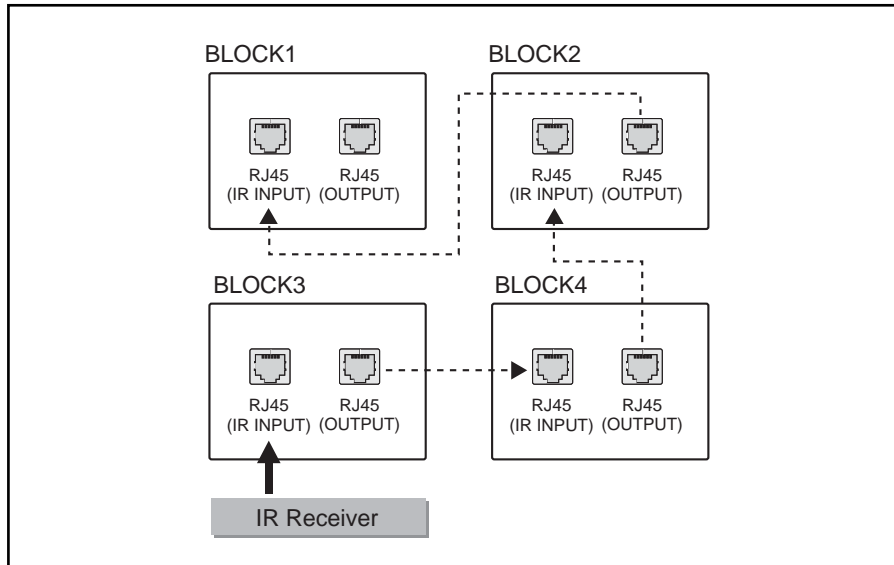
1-2. IR Connection - 3 * 3



1. First, connect IR Receiver to 'RJ45 IR INPUT' of desired TV set.
2. Connect it to 'RJ45 IR OUTPUT' of the same TV set or 'RJ45 IR INPUT' of the next TV set.
3. In this way, connect in turn as shown in picture.

+ Connection

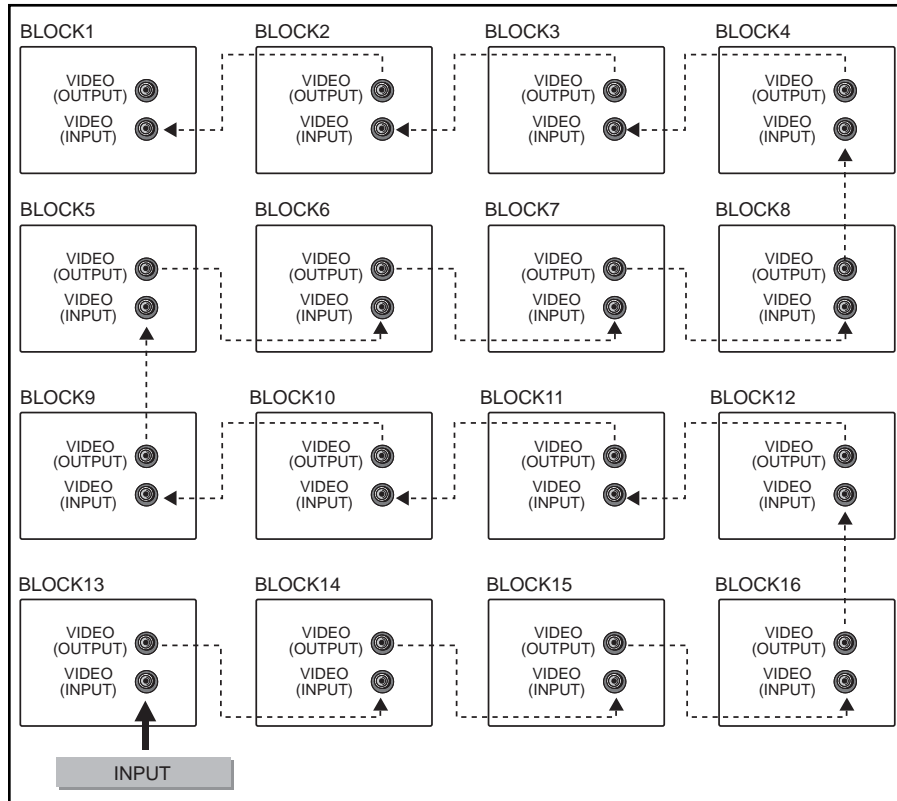
1-3. IR Connection - 2 * 2



1. First, connect IR Receiver to '**RJ45 IR INPUT**' of desired TV set.
2. Connect it to '**RJ45 IR OUTPUT**' of the same TV set or '**RJ45 IR INPUT**' of the next TV set.
3. In this way, connect in turn as shown in picture.

Connection

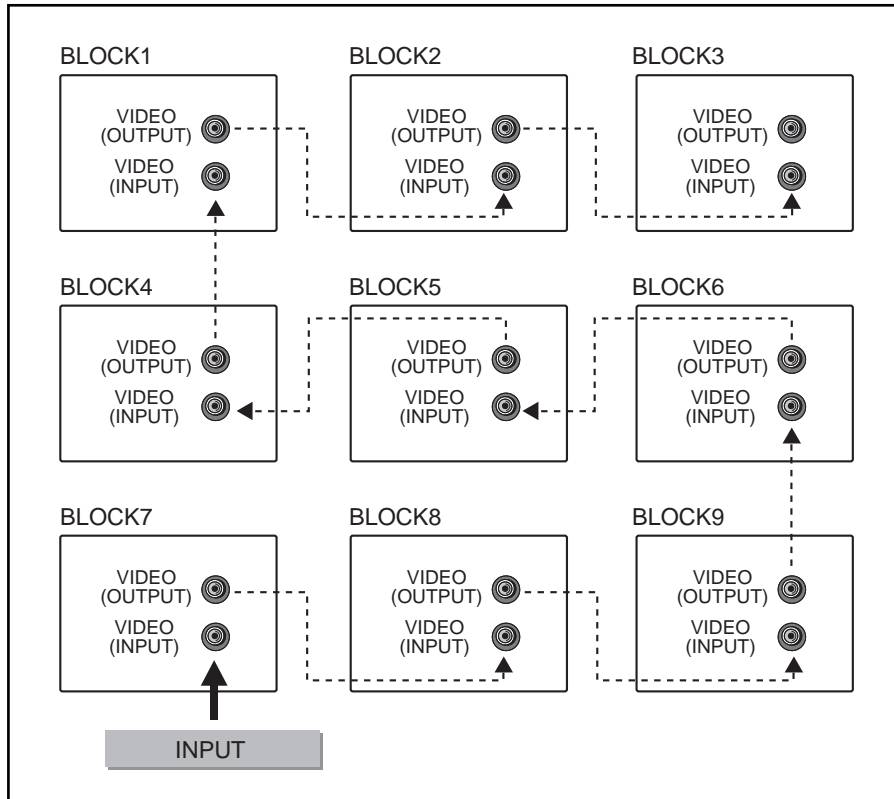
2-1. VIDEO Connection - 4 * 4



1. First, connect DVD source to **'VIDEO INPUT'** of desired TV set.
2. Connect it to **'VIDEO OUTPUT'** of the same TV set or **'VIDEO INPUT'** of the next TV set.
3. In this way, connect in turn as shown in picture.

+ Connection

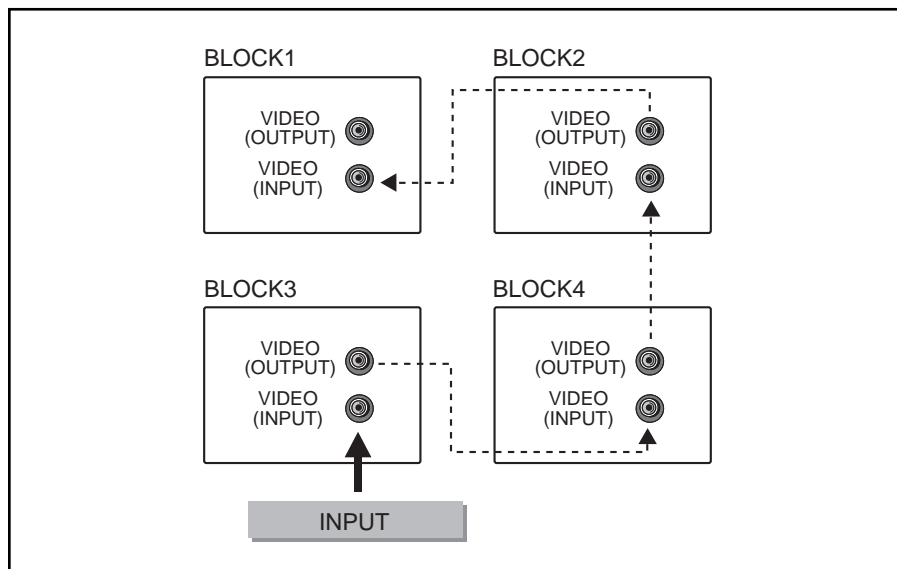
2-2. VIDEO Connection - 3 * 3



1. First, connect DVD source to 'VIDEO INPUT' of desired TV set.
2. Connect it to 'VIDEO OUTPUT' of the same TV set or 'VIDEO INPUT' of the next TV set.
3. In this way, connect in turn as shown in picture.

Connection

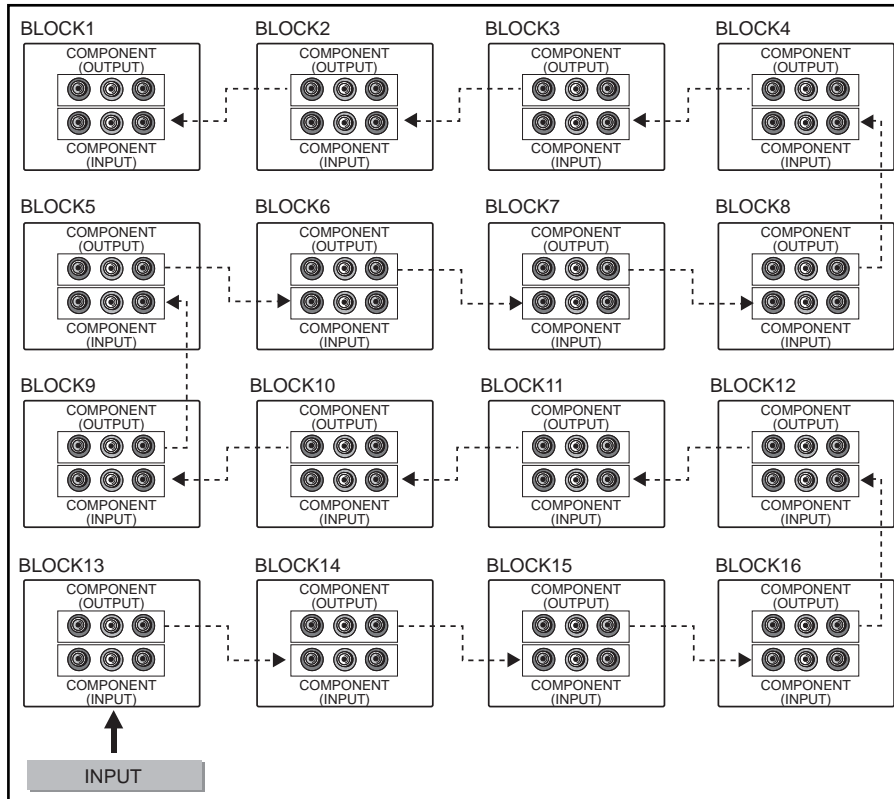
2-3. VIDEO Connection - 2 * 2



1. First, connect DVD source to **'VIDEO INPUT'** of desired TV set.
2. Connect it to **'VIDEO OUTPUT'** of the same set or **'VIDEO INPUT'** of the next TV set.
3. In this way, connect in turn as shown in picture.

+ Connection

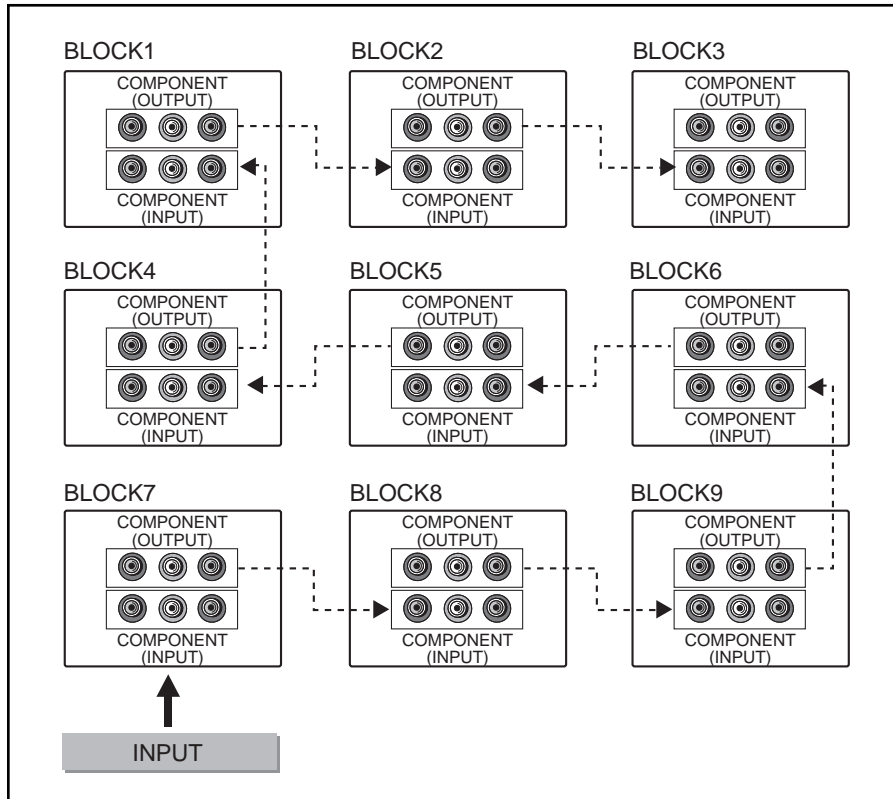
3-1. Component1/2 Connection - 4 * 4



1. First, connect IR Receiver to '**COMPONENT1** or **COMPONENT2 INPUT**' of desired TV set.
2. Connect it to '**COMPONENT1** or **COMPONENT2 OUTPUT**' of the same TV set or '**COMPONENT1** or **COMPONENT2 INPUT**' of the next TV set.
3. In this way, connect in turn as shown in picture.

Connection

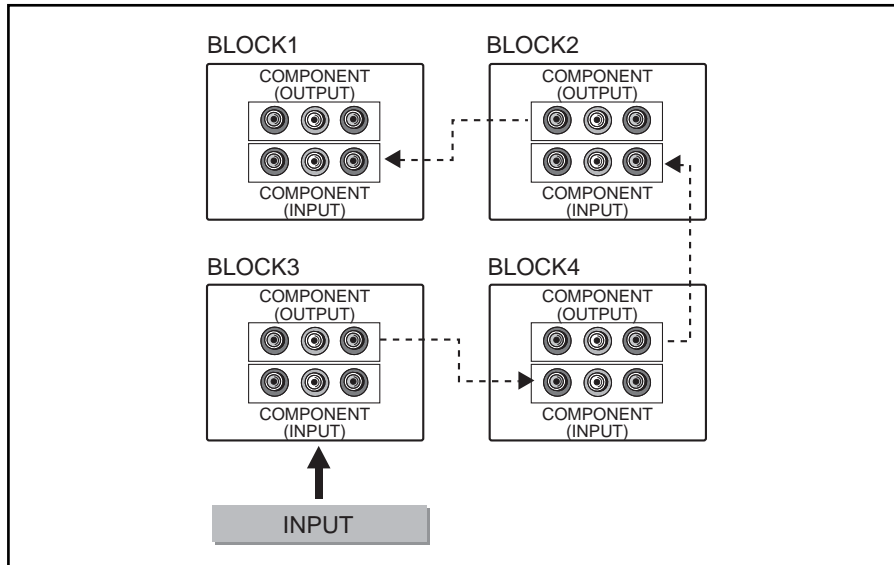
3-2. Component1/2 Connection - 3 * 3



1. First, connect IR Receiver to '**COMPONENT1** or **COMPONENT2 INPUT**' of desired TV set.
2. Connect it to '**COMPONENT1** or **COMPONENT2 OUTPUT**' of the same TV set or '**COMPONENT1** or **COMPONENT2 INPUT**' of the next TV set.
3. In this way, connect in turn as shown in picture.

+ Connection

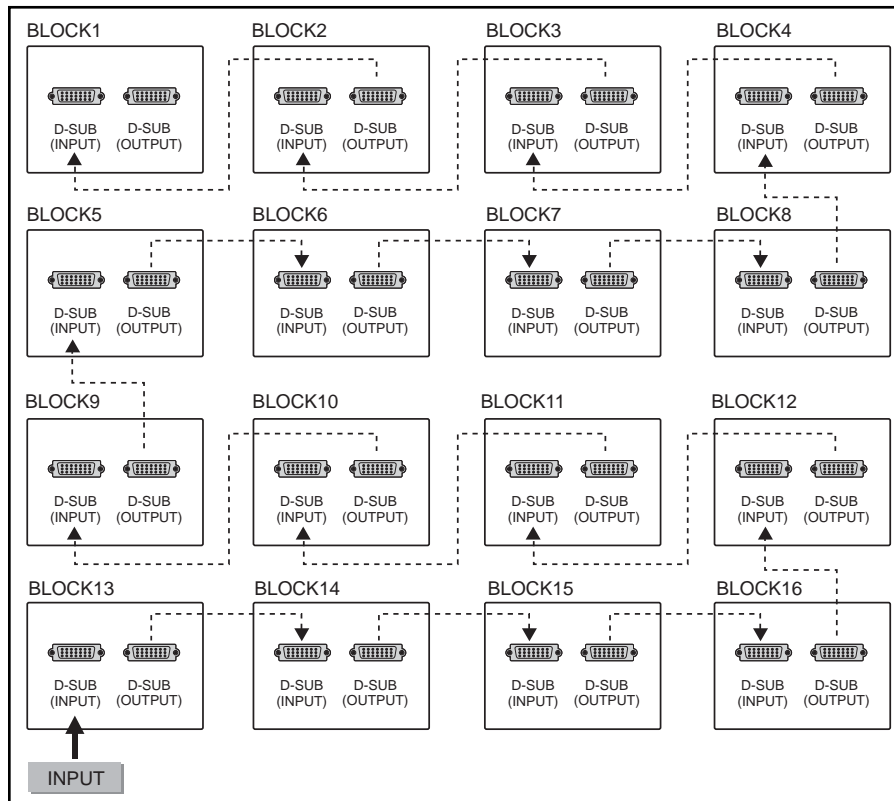
3-3. Component1/2 Connection - 2 * 2



1. First, connect IR Receiver to '**COMPONENT1** or **COMPONENT2 INPUT**' of desired TV set.
2. Connect it to '**COMPONENT1** or **COMPONENT2 OUTPUT**' of the same TV set or '**COMPONENT1** or **COMPONENT2 INPUT**' of the next TV set.
3. In this way, connect in turn as shown in picture.

Connection

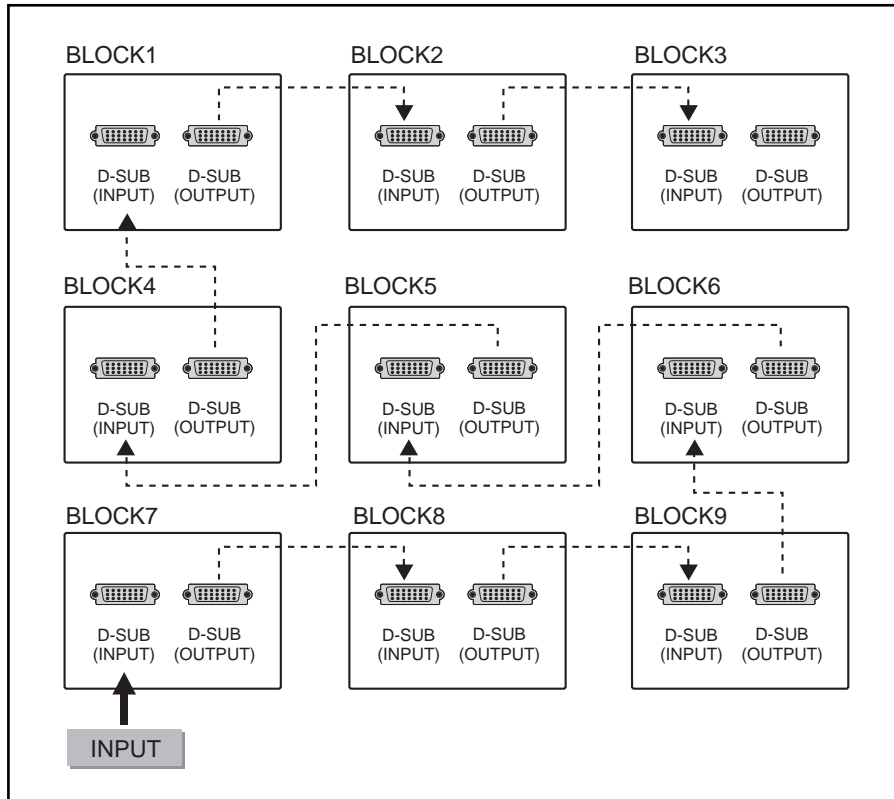
4-1. PC RGB Connection - 4 * 4



1. First, connect DVD source to '**D-SUB INPUT**' of desired TV set.
2. Connect it to '**D-SUB OUTPUT**' of the same TV set or '**D-SUB INPUT**' of the next TV set.
3. In this way, connect in turn as shown in picture.

+ Connection

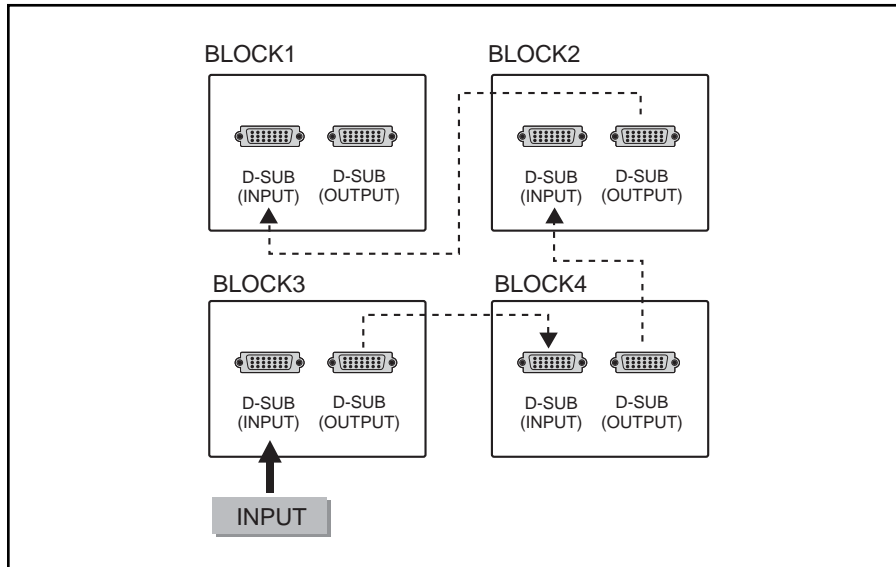
4-2. PC RGB Connection - 3 * 3



1. First, connect DVD source to '**D-SUB INPUT**' of desired TV set.
2. Connect it to '**D-SUB OUTPUT**' of the same TV set or '**D-SUB INPUT**' of the next TV set.
3. In this way, connect in turn as shown in picture.

Connection

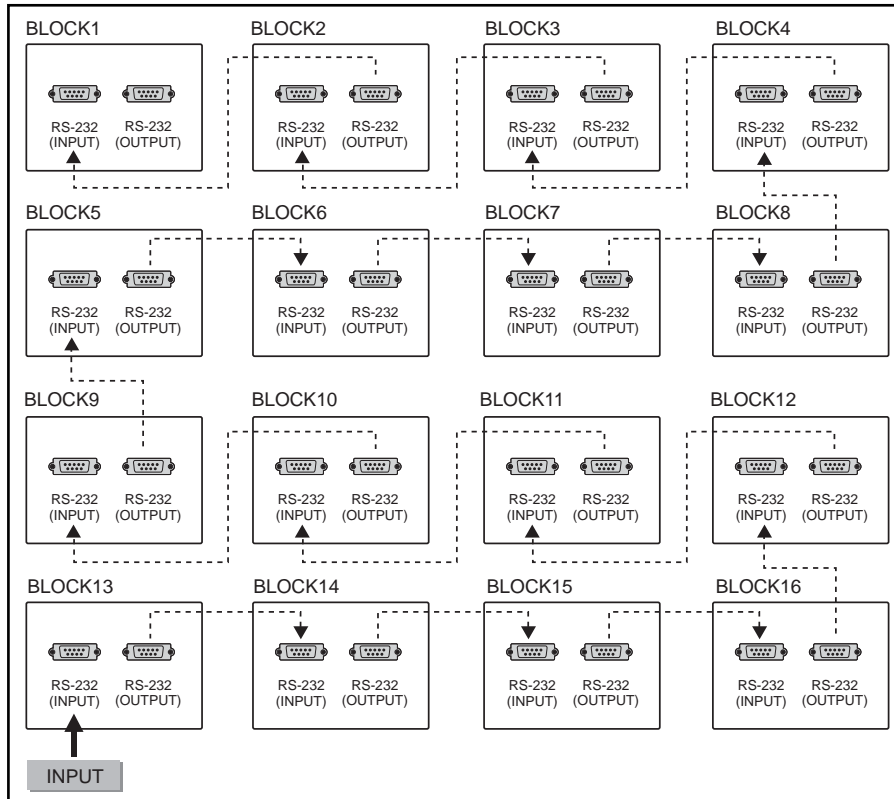
4-3. PC RGB Connection - 2 * 2



1. First, connect DVD source to '**D-SUB INPUT**' of desired TV set.
2. Connect it to '**D-SUB OUTPUT**' of the same TV set or '**D-SUB INPUT**' of the next TV set.
3. In this way, connect in turn as shown in picture.

+ Connection

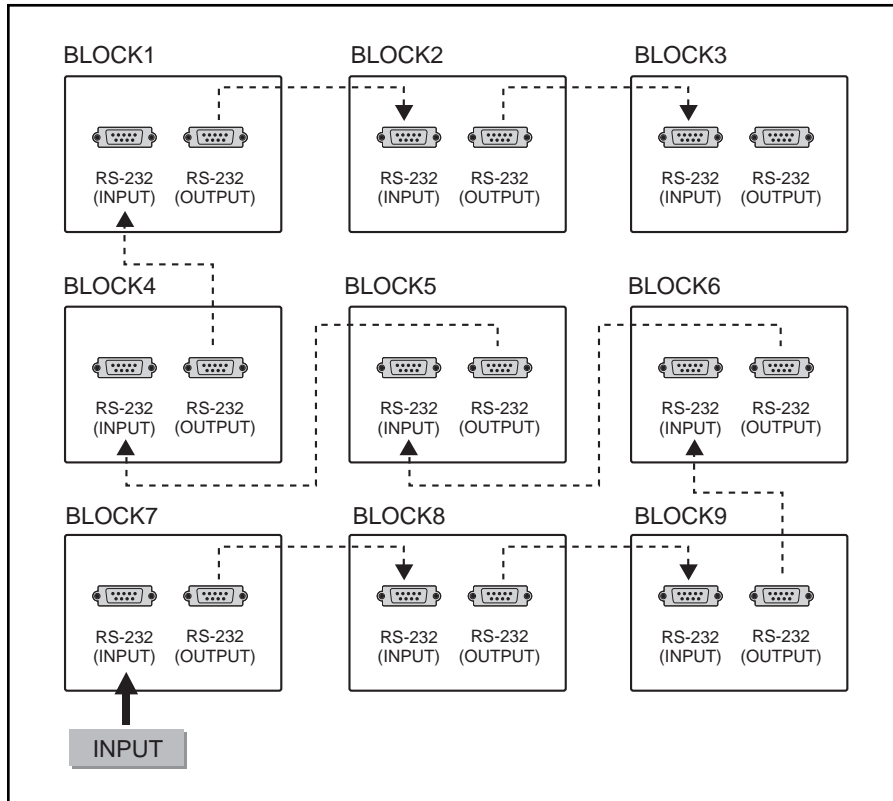
5-1. RS-232 Connection - 4 * 4



1. First, connect IR Receiver to 'RS-232 INPUT' of desired TV set.
2. Connect it to 'RS-232 OUTPUT' of the same TV set or 'RS-232 INPUT' of the next TV set.
3. In this way, connect in turn as shown in picture.

Connection

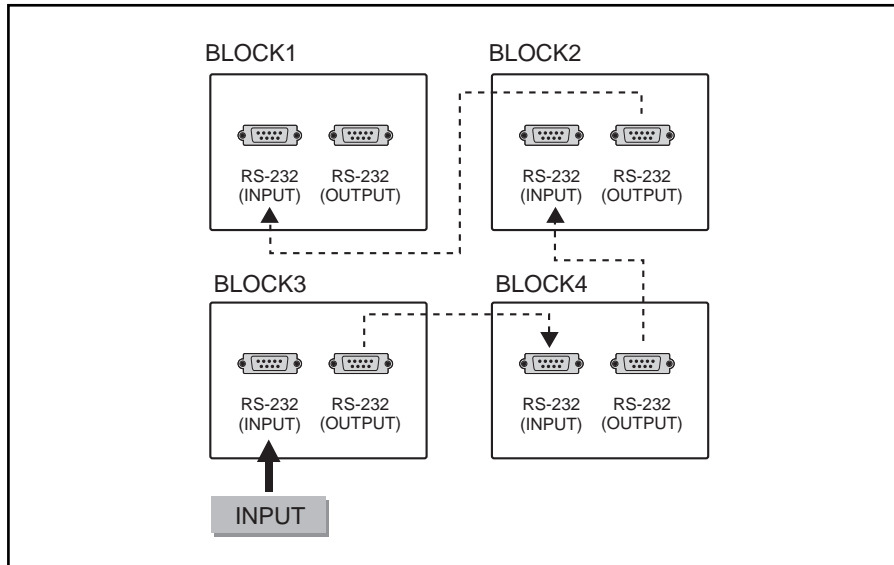
5-2. RS-232 Connection - 3 * 3



1. First, connect IR Receiver to 'RS-232 INPUT' of desired TV set.
2. Connect it to 'RS-232 OUTPUT' of the same TV set or 'RS-232 INPUT' of the next TV set.
3. In this way, connect in turn as shown in picture.

+ Connection

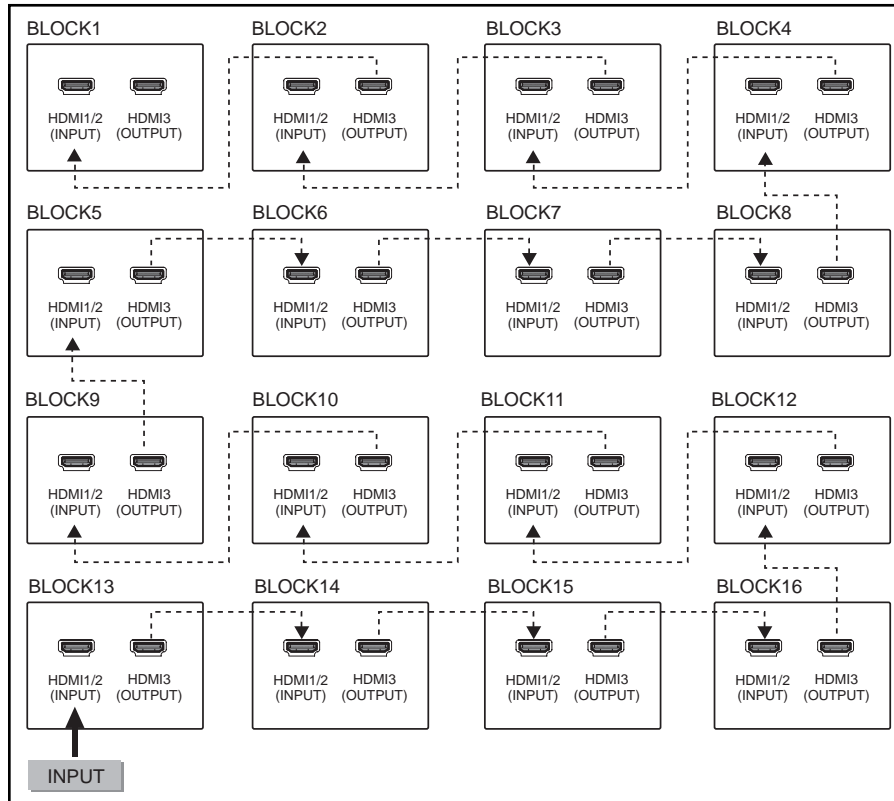
5-3. RS-232 Connection - 2 * 2



1. First, connect IR Receiver to '**RS-232 INPUT**' of desired TV set.
2. Connect it to '**RS-232 OUTPUT**' of the same TV set or '**RS-232 INPUT**' of the next TV set.
3. In this way, connect in turn as shown in picture.

Connection

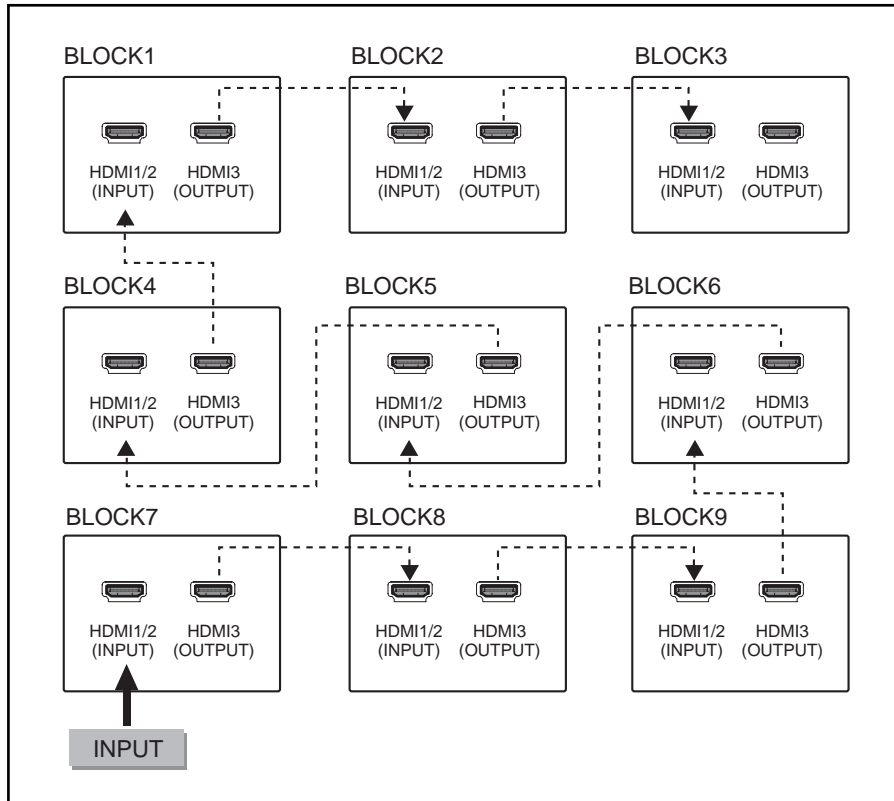
6-1. HDMI Connection - 4 * 4



1. First, connect DVD source to '**HDMI1** or **HDMI2 INPUT**' of desired TV set.
2. Connect it to '**HDMI3 OUTPUT**' of the same TV set or '**HDMI1** or **HDMI2 INPUT**' of the next TV set.
3. In this way, connect in turn as shown in picture.

+ Connection

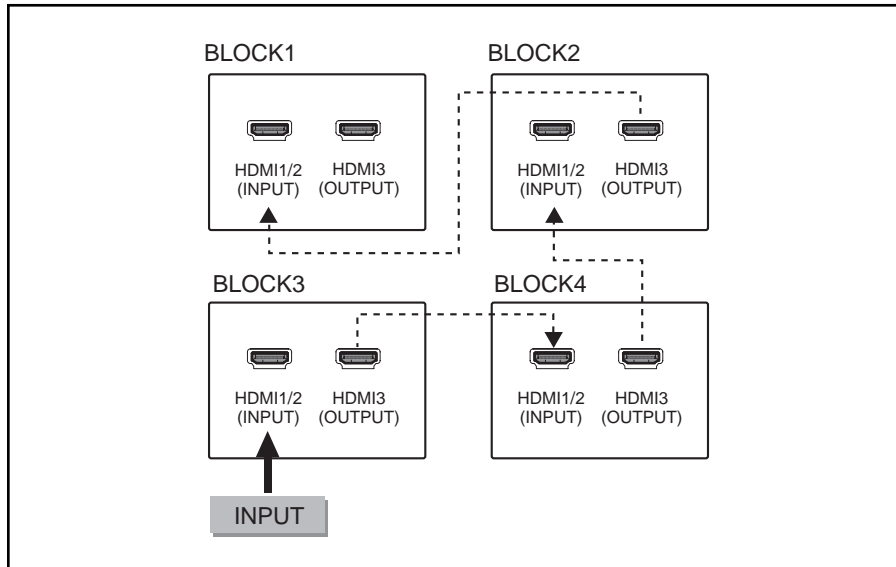
6-2. HDMI Connection - 3 * 3



1. First, connect DVD source to '**HDMI1** or **HDMI2 INPUT**' of desired TV set.
2. Connect it to '**HDMI3 OUTPUT**' of the same TV set or '**HDMI1** or **HDMI2 INPUT**' of the next TV set.
3. In this way, connect in turn as shown in picture.

+ Connection

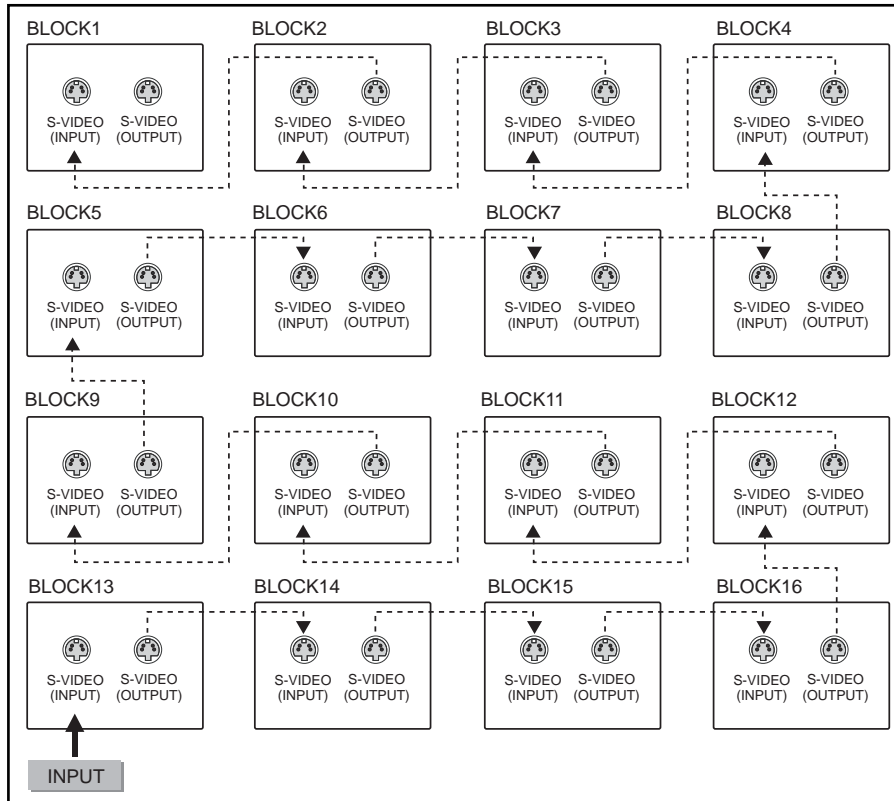
6-3. HDMI Connection - 2 * 2



1. First, connect DVD source to '**HDMI1** or **HDMI2 INPUT**' of desired TV set.
2. Connect it to '**HDMI3 OUTPUT**' of the same TV set or '**HDMI1** or **HDMI2 INPUT**' of the next TV set.
3. In this way, connect in turn as shown in picture.

+ Connection

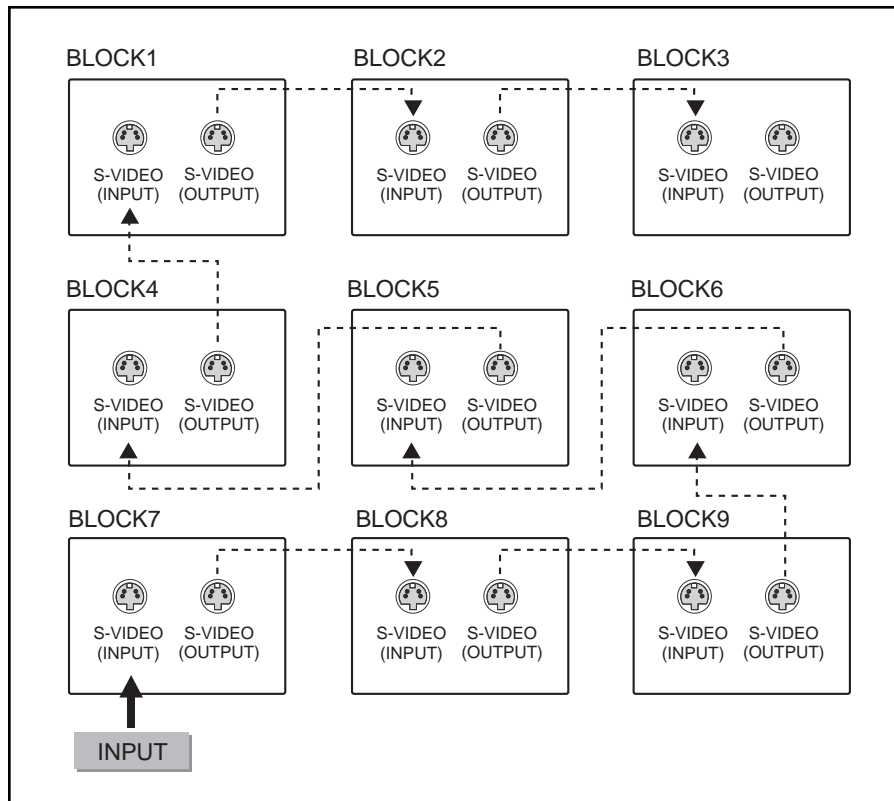
6-1. S-VIDEO Connection - 4 * 4



1. First, connect DVD source to 'S-VIDEO INPUT' of desired TV set.
2. Connect it to 'S-VIDEO OUTPUT' of the same TV set or 'S-VIDEO INPUT' of the next TV set.
3. In this way, connect in turn as shown in picture.

Connection

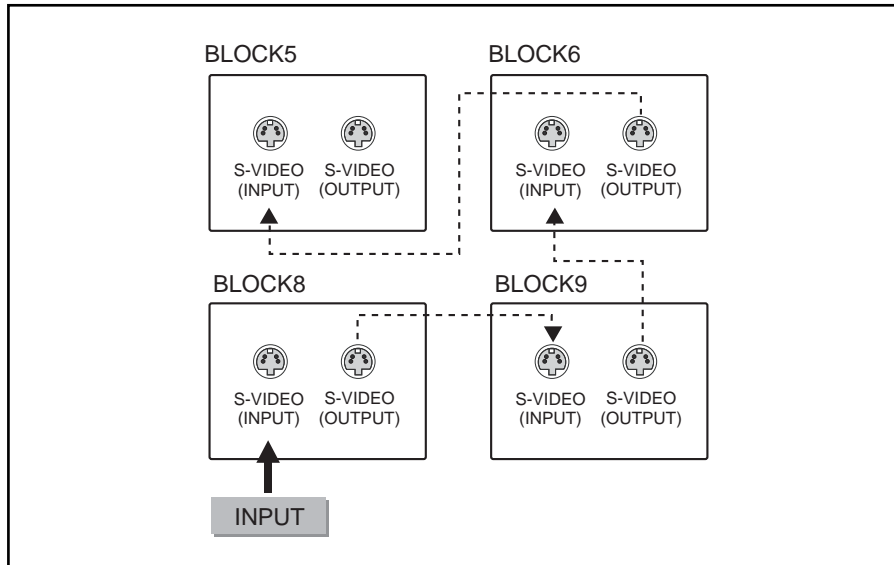
6-2. S-VIDEO Connection - 3 * 3



1. First, connect DVD source to '**S-VIDEO INPUT**' of desired TV set.
2. Connect it to '**S-VIDEO OUTPUT**' of the same TV set or '**S-VIDEO INPUT**' of the next TV set.
3. In this way, connect in turn as shown in picture.

+ Connection

6-3. S-VIDEO Connection - 2 * 2



1. First, connect DVD source to '**S-VIDEO INPUT**' of desired TV set.
2. Connect it to '**S-VIDEO OUTPUT**' of the same TV set or '**S-VIDEO INPUT**' of the next TV set.
3. In this way, connect in turn as shown in picture.

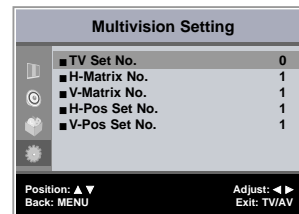
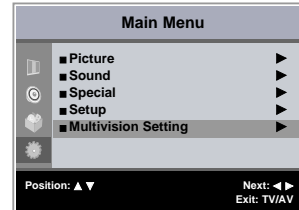
Connection

Setting the TV Set No.

First, the unique number of each TV set should be designated from **Multivision Setting**. This unique number cannot be shared with other TV set.

1. Press the **MENU** button to select **Main Menu**.
2. Press the **PR▲/PR▼** button to select **Multivision Setting**.
3. Press the **◀/▶** button to enter **Multivision Setting**.
4. Press the **PR▲/PR▼** button to select **TV Set No.**.
5. Press the **◀/▶** button to select desired number. The unique number can be set from 1 to 99.
6. Press the **MENU** button to return to the prior menu.

When inputting the unique number, IR cable should only be connected to the TV set, not to other TV set.

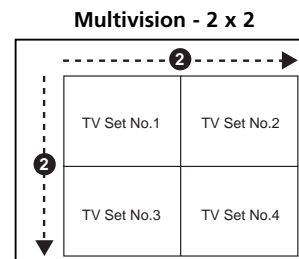
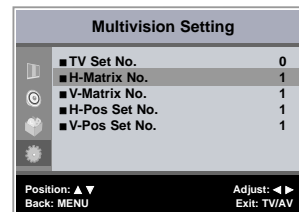


Setting the Set Matrix

The matrix of TV set should be set. For example, if width is 2 and height is 2, H-Matrix No. is 2 and V-Matrix No. is 2.

1. Press the **MENU** button to select **Main Menu**.
2. Press the **PR▲/PR▼** button to select **Multivision Setting**.
3. Press the **◀/▶** button to enter **Multivision Setting**.
4. Press the **PR▲/PR▼** button to select **H-Matrix No.** or **V-Matrix No.**.
5. Press the **◀/▶** button to select appropriate number.
6. Press the **MENU** button to return to the prior menu.

H-Matrix No. : Horizontal Matrix Number
V-Matrix No. : Vertical Matrix Number



+ Multivision Setting

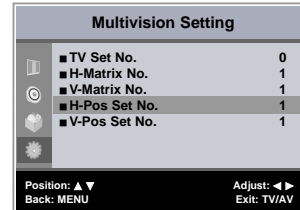
Setting the Set Position No.

The current position should be set for each TV set. From the TV set at the left end at the top from the front, set the vertical and horizontal point.

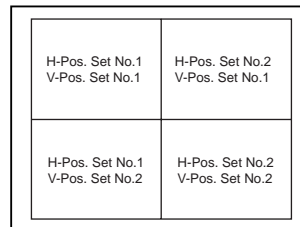
1. Press the **MENU** button to select **Main Menu**.
2. Press the **PR▲/PR▼** button to select **Multivision Setting**.
3. Press the **◀/▶** button to enter **Multivision Setting**.
4. Press the **PR▲/PR▼** button to select **H-Pos. Set No.** or **V-Pos. Set No.**
5. Press the **◀/▶** button to select appropriate number.
6. Press the **MENU** button to return to the prior menu.

H-Pos. Set No. : Set which point from the left the set is located.

V-Pos. Set No. : Set which point from the top the set is located.



< For example >



Setting the Control Set No.

1. Press **i+** button in the remote controller, and menu shown in the right will appear.
2. Then enter designated unique number of TV set above and press **OK** button then, only the set can be controlled.
3. If you want to control all TV sets at the same time, enter unique number '00' and press **OK** button, then all TV sets are selected and can be controlled.

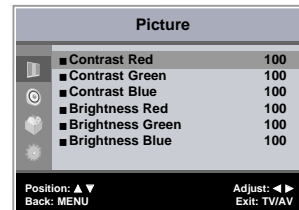
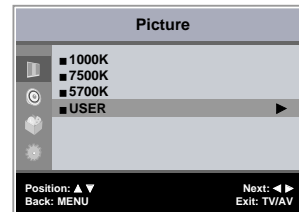
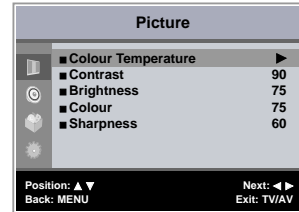


Picture Controls

Picture Controls

You can adjust Colour Temperature, Contrast, Brightness, Colour and Sharpness to the levels you prefer.

1. Press the **MENU** button to select **Main Menu**.
2. Press the **PR▲/PR▼** button to select **Picture**.
3. Press the **PR▲/PR▼** button to select **Color Temperature**.
4. Press the **◀ / ▶** button to enter **Color Temperature**.
5. Press the **PR▲/PR▼** button to select a particular colour tone.
If you select **USER**, you can control the value manually.
6. Press the **MENU** button to return to the prior menu.
7. Press the **PR▲/PR▼** button to select **Contrast, Brightness, Colour, Sharpness**.
8. Press the **◀ / ▶** button to adjust the picture condition as you want.
9. Press the **MENU** button to return to the prior menu.



Contrast

This function is to adjust picture to light/dark.

Brightness

This function is to adjust brightness of picture.

Colour

This function is to adjust intensity of the colour.

Sharpness

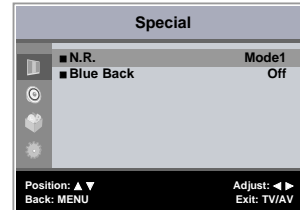
Adjust to sharpen or soften the picture.

Special Function Controls

N.R.(Noise Reduction)

The **N.R.** feature improves the picture quality by setting to **Mode1** or **Mode2**. If you experience noise on a certain programme, set the N.R. to **Mode1** or **Mode2** for this to obtain the optimum picture.

1. Press the **MENU** button to select **Main Menu**.
2. Press the **PR▲/PR▼** button to select **Special**.
3. Press the **PR▲/PR▼** button to select **N.R.**.
4. Press the **◀ / ▶** button to enter **Off**, **Mode1** or **Mode2**.
5. Press the **MENU** button to return to the prior menu.



Blue Back

If no signal is being received or the signal is very weak, a blue screen automatically replaces the noisy picture background.

If you wish to continue viewing the poor picture, you must select the Blue Back Off.

(Pressing the **◀ / ▶** button will alternate between "On" and "Off".)

1. Press the **MENU** button to select **Main Menu**.
2. Press the **PR▲/PR▼** button to select **Special**.
3. Press the **PR▲/PR▼** button to select **Blue Back**.
4. Press the **◀ / ▶** button to enter **Off** or **On**.
5. Press the **MENU** button to return to the prior menu.

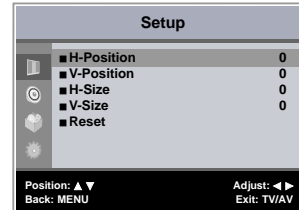


Setup Function Controls

H /V-Positon

This function is to adjust picture to left/right and up/down as you prefer.

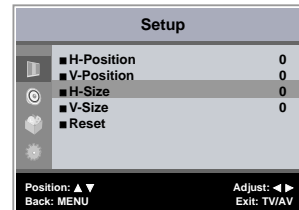
1. Press the **MENU** button to select **Main Menu**.
2. Press the **PR▲/PR▼** button to select **Setup**.
3. Press the **PR▲/PR▼** button to select **H-Position** or **V-Position**.
4. Press the **◀ / ▶** button to make desired adjustment.
5. Press the **MENU** button to return to the prior menu.



H /V-Size

This function is to adjust horizontal/vertical size of screen.

1. Press the **MENU** button to select **Main Menu**.
2. Press the **PR▲/PR▼** button to select **Setup**.
3. Press the **PR▲/PR▼** button to select **H-Size** or **V-Size**.
4. Press the **◀ / ▶** button to make desired adjustment.
5. Press the **MENU** button to return to the prior menu.



Reset

This function allows you to return to the good picture reproduction programmed at the factory and cannot be changed.

1. Press the **MENU** button to select **Main Menu**.
2. Press the **PR▲/PR▼** button to select **Setup**.
3. Press the **PR▲/PR▼** button to select **Reset**.
4. Press the **◀ / ▶** button to reset.
5. Press the **MENU** button to return to the prior menu.

