

1 2 3 4 5 6 7

A

B

C

D

E

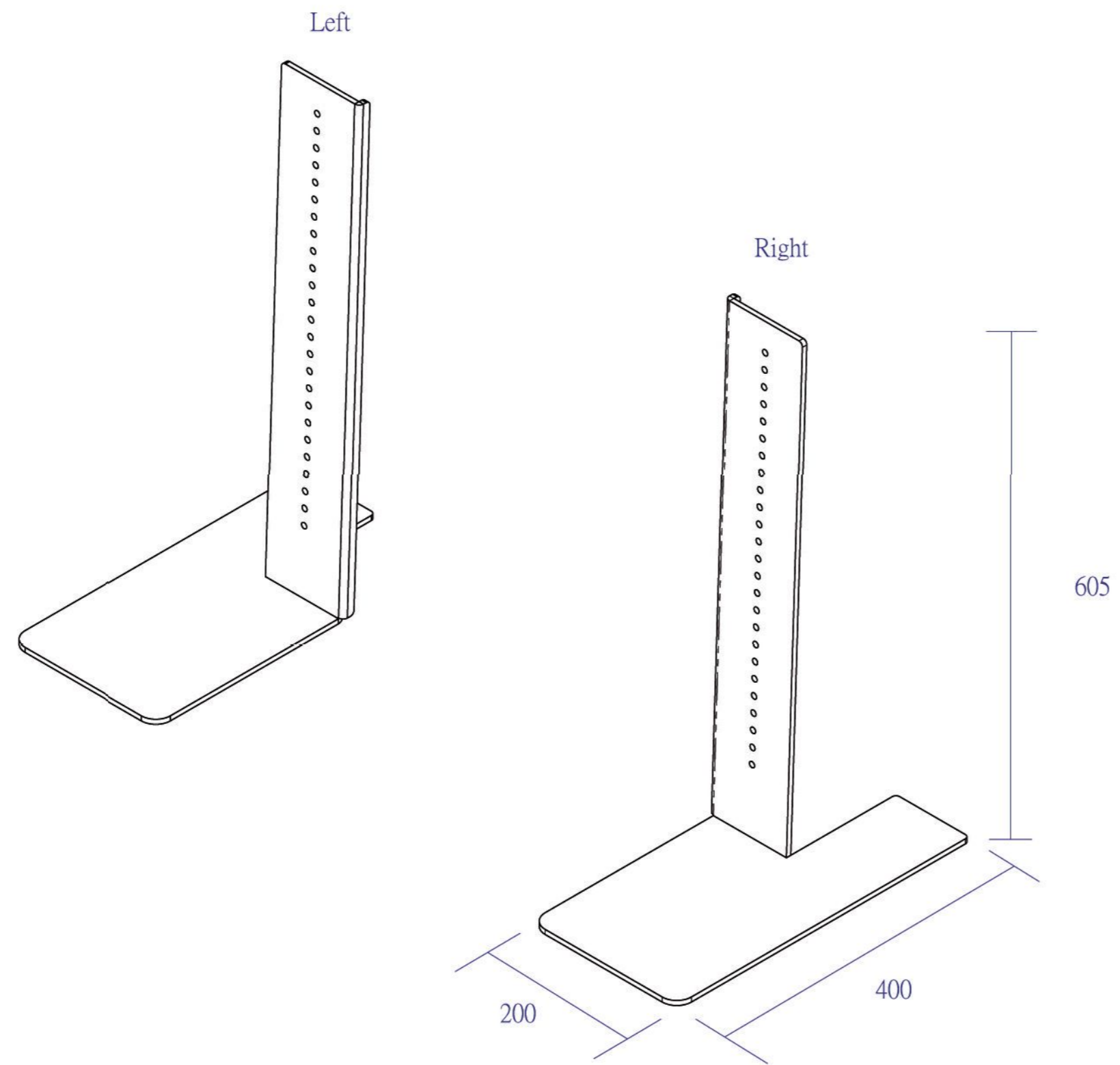
A


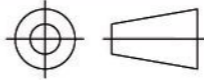
B

C

D

E



REV.	DATE	ECO	DESCRIPTION	BY	CHECK	APPR
 i-Tech Company LLC TOLL FREE: (888) 483-2418 • EMAIL: info@itechCD.com • WEB: www.itechCD.com			MATERIAL TOLERANCES (EXCEPT AS NOTED)	PLACES	.X ± 0.25 .XX ± 0.15	黑色織紋烤漆 FINISHED ANGLES ± 0° 30' HOLES ± 0.1
SIGNATURE		DATE	BCH-TableStand		BCH-TableStand -090406	
DSGN		090406	TITLE		DRAWING FILE:	
MM UNIT			SHEET: 1 of 1	MODEL	PART No.	

1 2 3 4 5 6 7