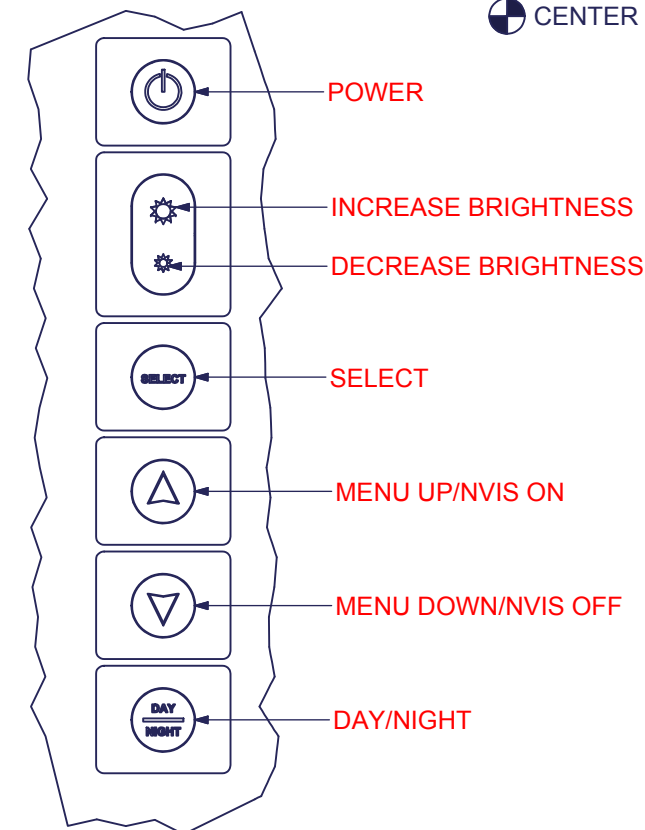
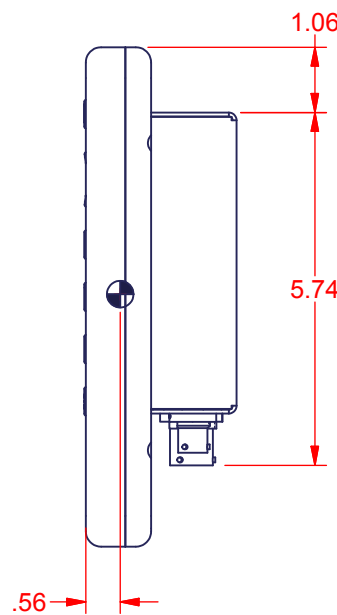
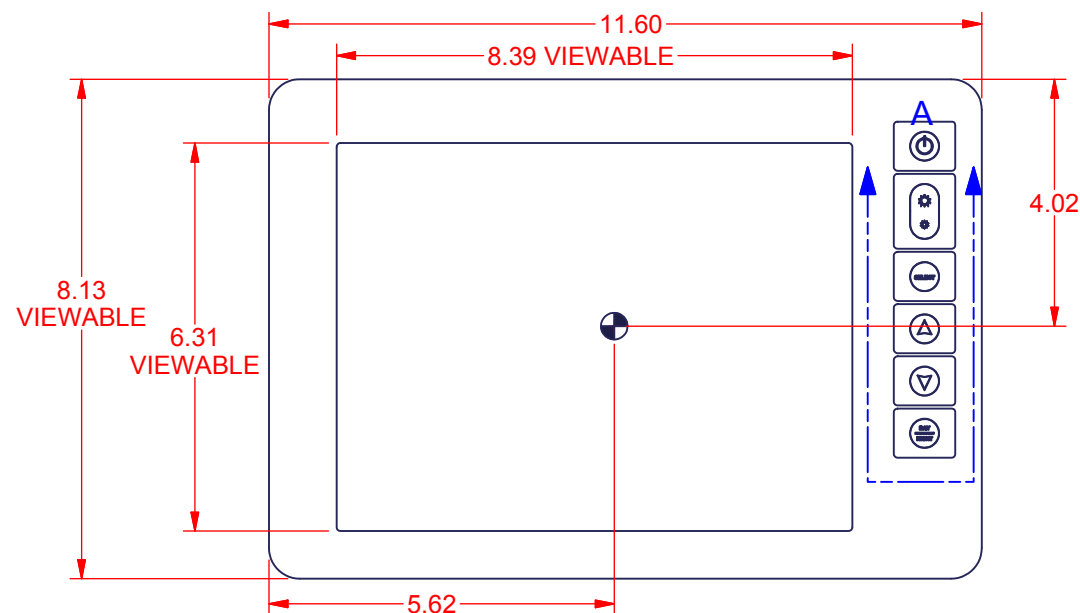
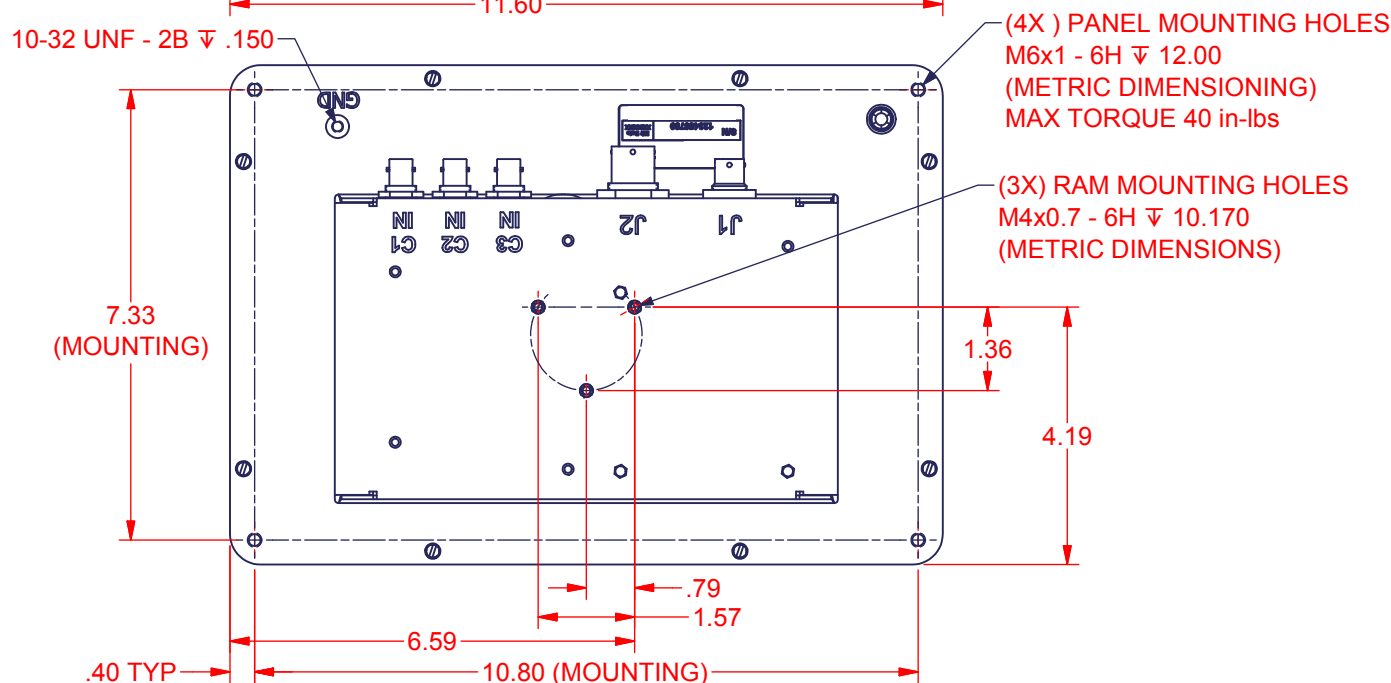
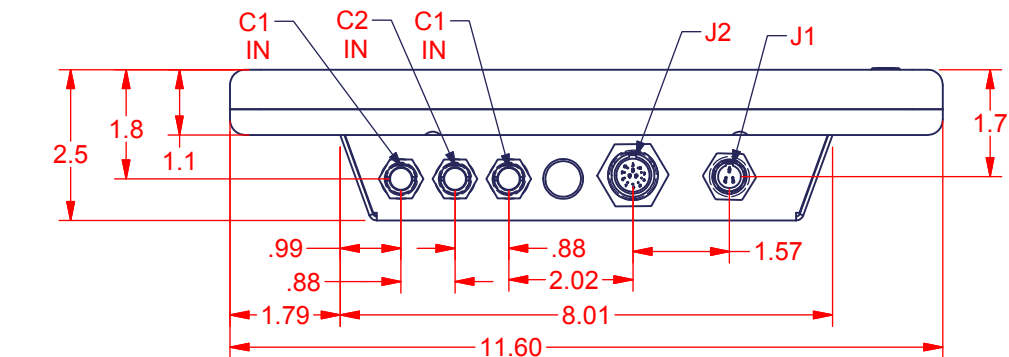


THIS IS AN ELECTRONICALLY CONTROLLED AND ISSUED DOCUMENT. HARD COPY DOCUMENTS MUST BE VERIFIED AGAINST ELECTRONIC REVISION PRIOR TO USE.

CENTER OF GRAVITY



DETAIL A
USER INTERFACE BUTTONS



**POWER 3 PIN RECEPTACLE
MIL-DTL-26482 SERIES I CONNECTOR**

| J1 | PIN | SIGNAL |
|-------------------|-----------------------------|-------------|
| | A | 28 VOLT DC |
| | B | 28 VOLT RTN |
| | C | N/C |
| AMPHENOL # | 71-533721-33P (3-pin power) | |
| Mate # | PT06E833SSR (141247) | |
| Strain # | Included | |

3 VIDEO IN VIA BNC

| C1, C2, C3 | PIN | SIGNAL |
|------------|--------|---------|
| | CENTER | VID_IN |
| | SHELL | VID_GND |

**RGB 13 PIN RECEPTACLE
MIL-DTL-38999 SERIES I CONNECTOR**

| J2 | PIN | SIGNAL |
|-------------------|----------------------------|--------------------|
| | 1 | Red Video Signal |
| | 2 | Red Video Ground |
| | 3 | Green Video Signal |
| | 4 | Green Video Ground |
| | 5 | Blue Video Signal |
| | 6 | Blue Video Ground |
| | 7 | H-SNYC |
| | 8 | V-SNYC |
| | 9 | H/V SYNC Ground |
| | 10 | USB+/RS-232 RXD |
| | 11 | USB-/RS-232 TXD |
| | 12 | Digital Ground |
| | 13 | RI-OUT |
| AMPHENOL # | 88-569722-35P (Video Only) | |
| Mate # | MS27467E11B35S (141238) | |
| Strain # | M85049/49-2-10W (141248) | |

EXPORT CONTROL -- THIS DOCUMENT IS CONTROLLED TO DSE. THE INFORMATION CONTAINED IN THIS DOCUMENT PERTAINS TO A DEFENSE ARTICLE CONTROLLED FOR EXPORT BY THE INTERNATIONAL TRAFFIC IN ARMS REGULATIONS (ITAR). DSE TRADE SECRETS CONTAINED HEREIN ARE SUBJECT TO DISCLOSURE RESTRICTIONS AS A MATTER OF LAW. DIVERSION CONTRARY TO US LAW IS PROHIBITED. US DEPARTMENT OF STATE AUTHORIZATION IS REQUIRED PRIOR TO EXPORT OR TRANSFER TO FOREIGN PERSONS OR PARTIES.

PROPRIETARY NOTICE -- PERMISSION IS HEREBY GRANTED TO USE THE CONFIDENTIAL INFORMATION ON THIS DOCUMENT FOR REFERENCE ONLY AND MAY NOT BE PRODUCED OR DISCLOSED TO OTHERS WITHOUT PRIOR WRITTEN PERMISSION OF DIGITAL SYSTEMS ENGINEERING (DSE).

TOLERANCES

LINEAR
.X = ± .1
.XX = ± .01
.XXX = ± .005
UNLESS OTHERWISE SPECIFIED
DIMENSIONS ARE IN INCHES

Project: **DMM1040R-AV**
Status: Released
Design: JE Date: 6/15/2011
Check: EC Date: 6/15/2011

Part/Dwg #: **DMM1040R-AV- Display**
Wgt.: 6.869 lbmass ± .25lbs.

Rev # **1.4**

OVERVIEW
OVERVIEW, DISPLAY ASSY

i-Tech Company LLC

Phone: (888) 483-2418 Email: info@itechlcd.com
Web: www.iTechLCD.com

Sheet 1 of 1