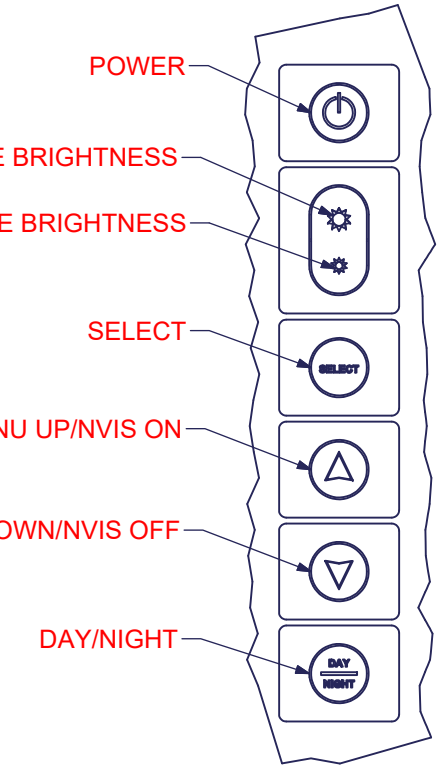
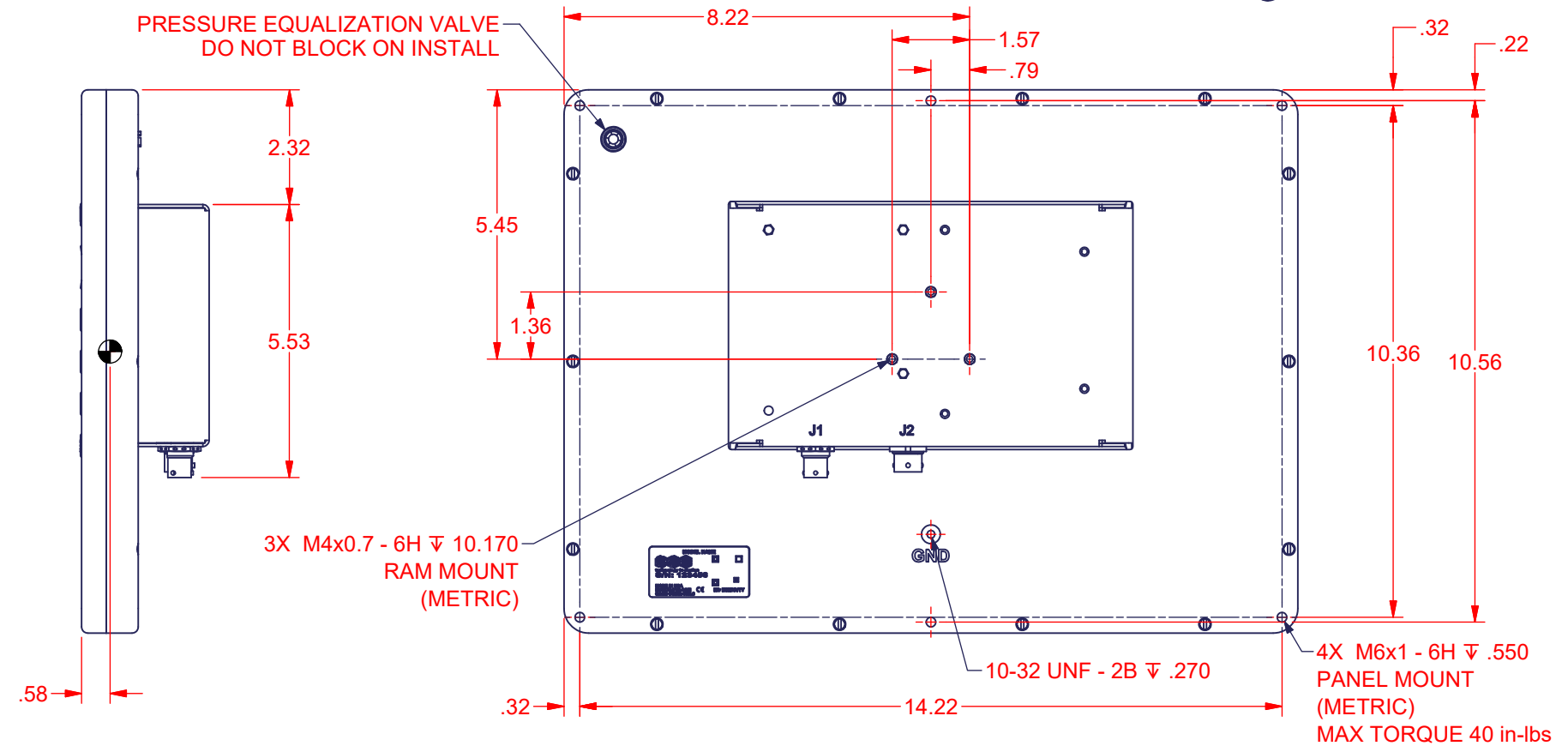
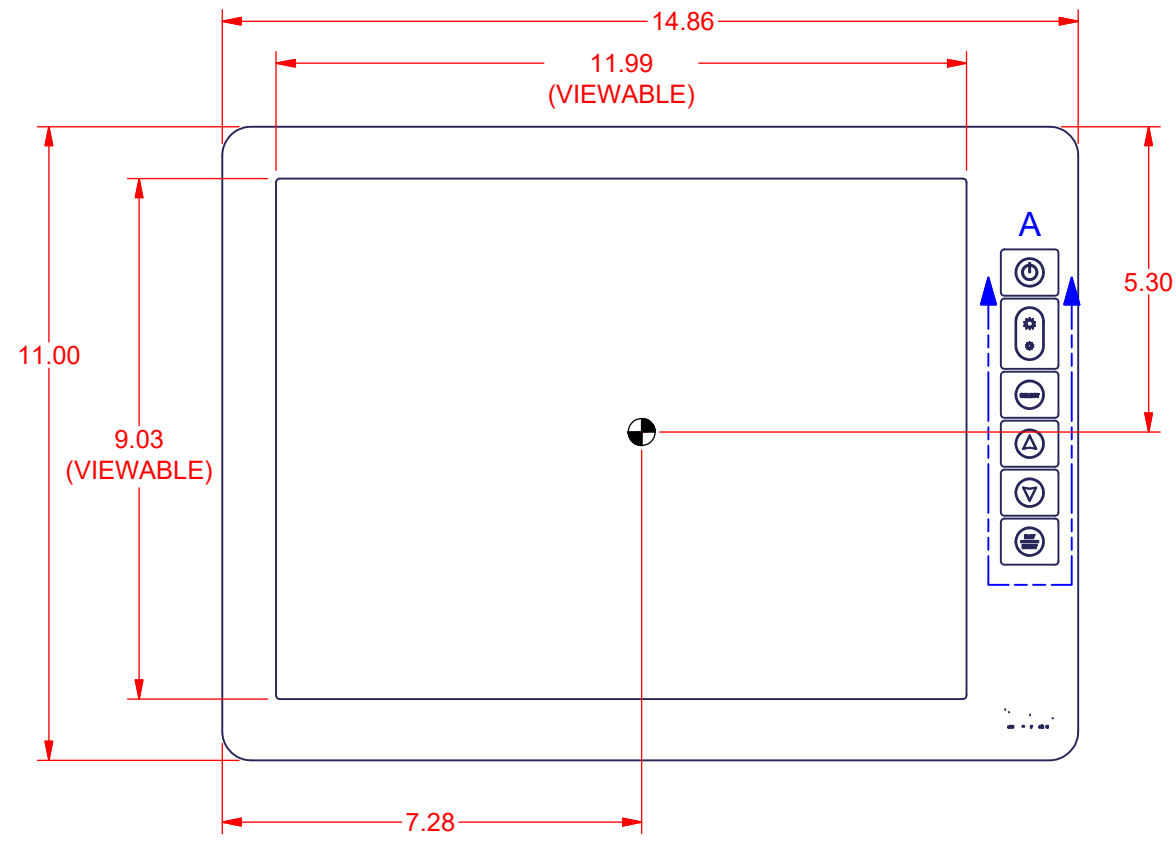
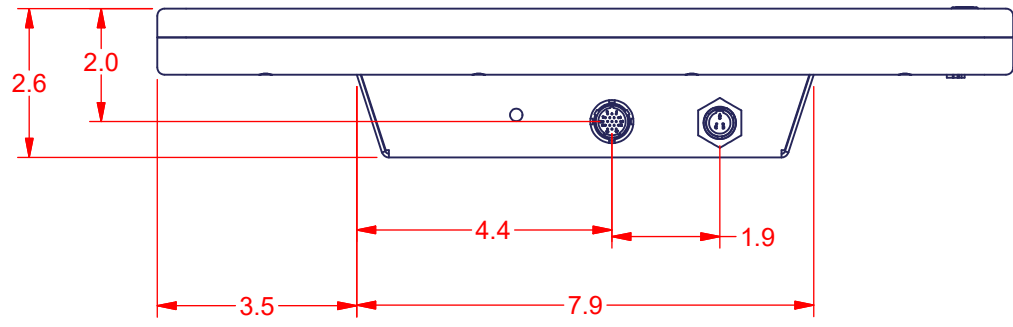


THIS IS AN ELECTRONICALLY CONTROLLED AND ISSUED DOCUMENT. HARD COPY DOCUMENTS MUST BE VERIFIED AGAINST ELECTRONIC REVISION PRIOR TO USE.

CENTER OF GRAVITY



DETAIL A
USER INTERFACE BUTTONS



POWER 3 PIN RECEPTACLE (J1) MIL-DTL-26482 SERIES I CONNECTOR	
PIN	SIGNAL
A	28 VOLT DC
B	28 VOLT RTN
C	N/C
Vendor p/n#	71-533721-33P (3-pin power)
Mate #	PT06E833SSR (141247)
Strain #	Included
Cable Assy#	900222

VIDEO 19 PIN RECEPTACLE (J2) 2M803 SERIES CONNECTOR	
PIN	SIGNAL
1	DVI RX2+
2	DVI RX2-
3	DVI RX1+
4	Optional Touch (USB+/RS-232 RX)
5	Optional Touch (USB-/RS-232 TX)
6	DVI RX1-
7	GND
8	REMOTE ON/OFF OPTIONAL
9	GND
10	DVI +5V
11	DVI RX0+
12	DVI RX0-
13	DVI HOT PLUG DETECT
14	DVI DDC SDA
15	DVI RXC+
16	GND
17	DVI DDC SCL
18	GND
19	DVI RXC-
Vendor p/n#	2M803-005-07NF9-19PN
Mate #	2M803-002-06NF9-19SN
Strain #	380MS137-NF0908-xx
Cable Assy#	10000

DISPLAY PORT VIDEO 19 PIN RECEPTACLE (J2) 2M803 SERIES CONNECTOR	
PIN	SIGNAL
1	ML LANE 0+
2	ML LANE 0-
3	ML LANE 1+
4	Optional Touch (USB+/RS-232 RX)
5	Optional Touch (USB-/RS-232 TX)
6	ML LANE 1-
7	GND
8	REMOTE ON/OFF OPTIONAL
9	GND
10	DP PWR
11	ML LANE 2+
12	ML LANE 2-
13	HOT PLUG
14	AUX CH-
15	ML LANE 3+
16	GND
17	AUX CH+
18	GND
19	ML LANE 3-
Vendor p/n#	2M803-005-07NF9-19PN
Mate #	2M803-002-06NF9-19SN
Strain #	380MS137-NF0908-xx D
Cable Assy#	

CONNECTOR PART NUMBERS CAN VARY BETWEEN SPECIFIC VENDORS. ALTERNATE CONNECTOR PART NUMBERS SHALL MEET SPECIFIED MIL STANDARDS AS DOCUMENTED.