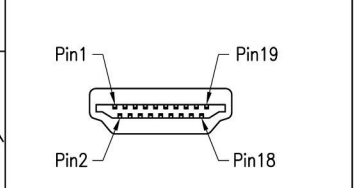


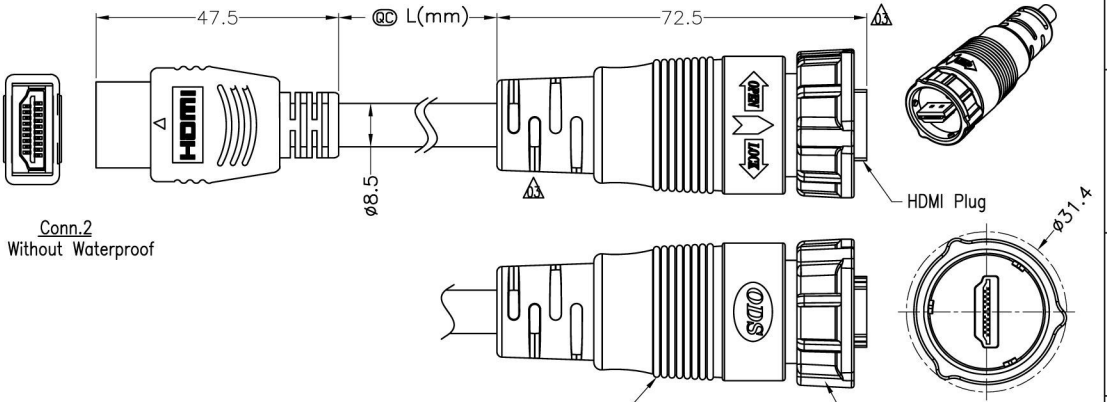
|    |        |    |   |    |
|----|--------|----|---|----|
| 20 | Braid  | 纏繞 |   | 20 |
| 19 | Pink   | 粉紅 | 3 | 19 |
| 18 | Purple | 紫  | 3 | 18 |
| 17 | Red    | 紅  | 3 | 17 |
| 16 | Orange | 橘  |   | 16 |
| 15 | Yellow | 黃  | 2 | 15 |
| 14 | Gray   | 灰  | 3 | 14 |
| 13 | White  | 白  | 3 | 13 |
| 12 | White  | 白  |   | 12 |
| 11 | Drain  | 地線 | 1 | 11 |
| 10 | Blue   | 藍  |   | 10 |
| 9  | White  | 白  |   | 9  |
| 8  | Drain  | 地線 | 1 | 8  |
| 7  | Green  | 綠  |   | 7  |
| 6  | White  | 白  |   | 6  |
| 5  | Drain  | 地線 | 1 | 5  |
| 4  | Red    | 紅  |   | 4  |
| 3  | White  | 白  |   | 3  |
| 2  | Drain  | 地線 | 1 | 2  |
| 1  | Brown  | 棕  |   | 1  |

| Conn.2 | Wire Color | Wire Type | Conn.1 |
|--------|------------|-----------|--------|
|--------|------------|-----------|--------|

| Pin Out |         |
|---------|---------|
| Type 3  | 1C      |
| Type 2  | 1P      |
| Type 1  | 1P+D+AL |



Conn.1&Conn.2 Pin Assignments Front View



Conn.2 Without Waterproof

Conn.1 Waterproof IP67

- Note:**
- Waterproof Rate: IP67  
(No Ingress Of Dust/ Protected Against Harmful Effects Caused In 1 Meter Water Within 30 Minutes)
  - Temperature Range: -20°C to +80°C
  - Material:  
Housing: Nylon+GF, Black.  
Nut: Nylon+GF, Black.  
Gasket: Silicone, Gray
  - Cable:  
(1P\*26AWG+D+Al.Mylar+Mylar)\*4P+1P\*26AWG+5C\*26AWG +Al.Mylar+Biard UL20276, Black OD=ø8.5mm
  - Part No: HDDAP120HA-KLD7AXX
  - Cable Length Tolerance:  
L±10%mm<50cm  
50cm≤L±40mm<1M  
1M≤L±5%≤5M

|          |            |
|----------|------------|
| 01: L=1M | 0A: L=10cm |
| 02: L=2M | 0B: L=15cm |
| :        | 0C: L=30cm |
| 05: L=5M | 0D: L=50cm |

| REV. | ECN NO. | DATE       | SIGN   | DESCRIPTION                |
|------|---------|------------|--------|----------------------------|
| 02   |         | 2013/12/13 | Nilson | Add Standard Length        |
| 03   |         | 2014/02/11 | Angel  | Change Dim. 71.7 to 72.5mm |

| i-Tech Company LLC              |       |                 |      |                             |       |            |      |            |
|---------------------------------|-------|-----------------|------|-----------------------------|-------|------------|------|------------|
| TITLE<br>HDMI-A TYPE 19PIN PLUG |       |                 |      |                             |       |            |      |            |
| QC : QC check                   |       | CpK : CpK check |      | PART NO: HDDAP120HA-KLD7AXX |       |            |      |            |
| TOLERANCE<br>±0.50              | SCALE | 1 : 1           | DWN. | Angel                       | DATE  | 2014/02/11 |      |            |
|                                 | UNIT: | mm              | SIZE | A4                          | CHKD. | Chan       | DATE | 2014/02/11 |
|                                 | SHEET | 1 of 1          | REV. | 03                          | APVD. | Nilson     | DATE | 2014/02/11 |