

UNLESS OTHERWISE SPECIFIED:
DIMENSIONS ARE IN INCHES
TOLERANCES:
FRACTIONAL $\pm 1/8$
ANGULAR: BEND ± 1 DEGREE
TWO PLACE DECIMAL $\pm .03$
THREE PLACE DECIMAL $\pm .01$

WEB PRINT		MATERIAL	FINISH
NEXT ASSY	USED ON		
APPLICATION		DO NOT SCALE DRAWING	

	NAME	DATE
DRAWN		
CHECKED		
ENG APPR.		
MFG APPR.		
Q.A.		
COMMENTS:		

i-Tech Company LLC		
TITLE: 15U LINIER WM SWINGOUT CABINET- GLASS DOOR		
SIZE	DWG. NO.	REV
A	KH2715-SWM	
SCALE: 1:10	WEIGHT: 63.42	SHEET 1 OF 2

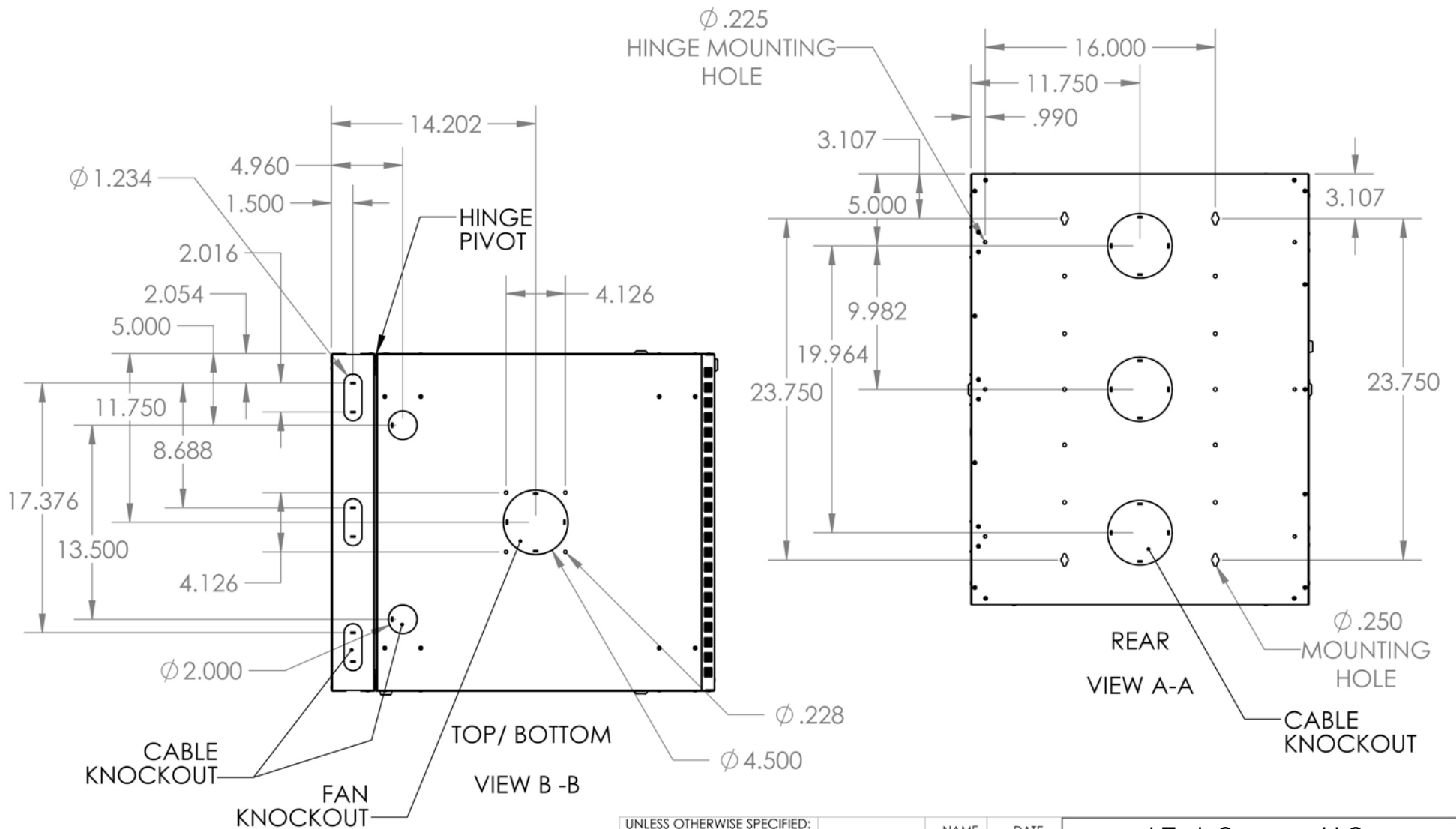
5

4

3

2

1



UNLESS OTHERWISE SPECIFIED:
 DIMENSIONS ARE IN INCHES
 TOLERANCES:
 FRACTIONAL $\pm 1/8$
 ANGULAR: BEND ± 1 DEGREE
 TWO PLACE DECIMAL $\pm .03$
 THREE PLACE DECIMAL $\pm .01$

Surface Area
 MATERIAL
 FINISH
 DO NOT SCALE DRAWING

WEB PRINT	
NEXT ASSY	USED ON
APPLICATION	

	NAME	DATE
DRAWN		
CHECKED		
ENG APPR.		
MFG APPR.		
Q.A.		
COMMENTS:		

i-Tech Company LLC		
TITLE: 15U LINIER WM SWINGOUT CABINET- GLASS DOOR		
SIZE	DWG. NO.	REV
A	KH2715-SWM	
SCALE: 1:10	WEIGHT: 63.42	SHEET 2 OF 2