

UNLESS OTHERWISE SPECIFIED:  
DIMENSIONS ARE IN INCHES  
TOLERANCES:  
FRACTIONAL  $\pm 1/8$   
ANGULAR: BEND  $\pm 1$  DEGREE  
TWO PLACE DECIMAL  $\pm .03$   
THREE PLACE DECIMAL  $\pm .01$

<b>WEB PRINT</b>	
NEXT ASSY	USED ON
APPLICATION	

Surface Area	
MATERIAL	
FINISH	
DO NOT SCALE DRAWING	

	NAME	DATE
DRAWN		
CHECKED		
ENG APPR.		
MFG APPR.		
Q.A.		
COMMENTS:		

i-Tech Company LLC		
TITLE: <b>22U LINIER WM SWINGOUT CABINET- GLASS DOOR</b>		
SIZE	DWG. NO.	REV
<b>A</b>	<b>KH2722-SWM</b>	
SCALE: 1:10	WEIGHT: 81.95	SHEET 1 OF 2

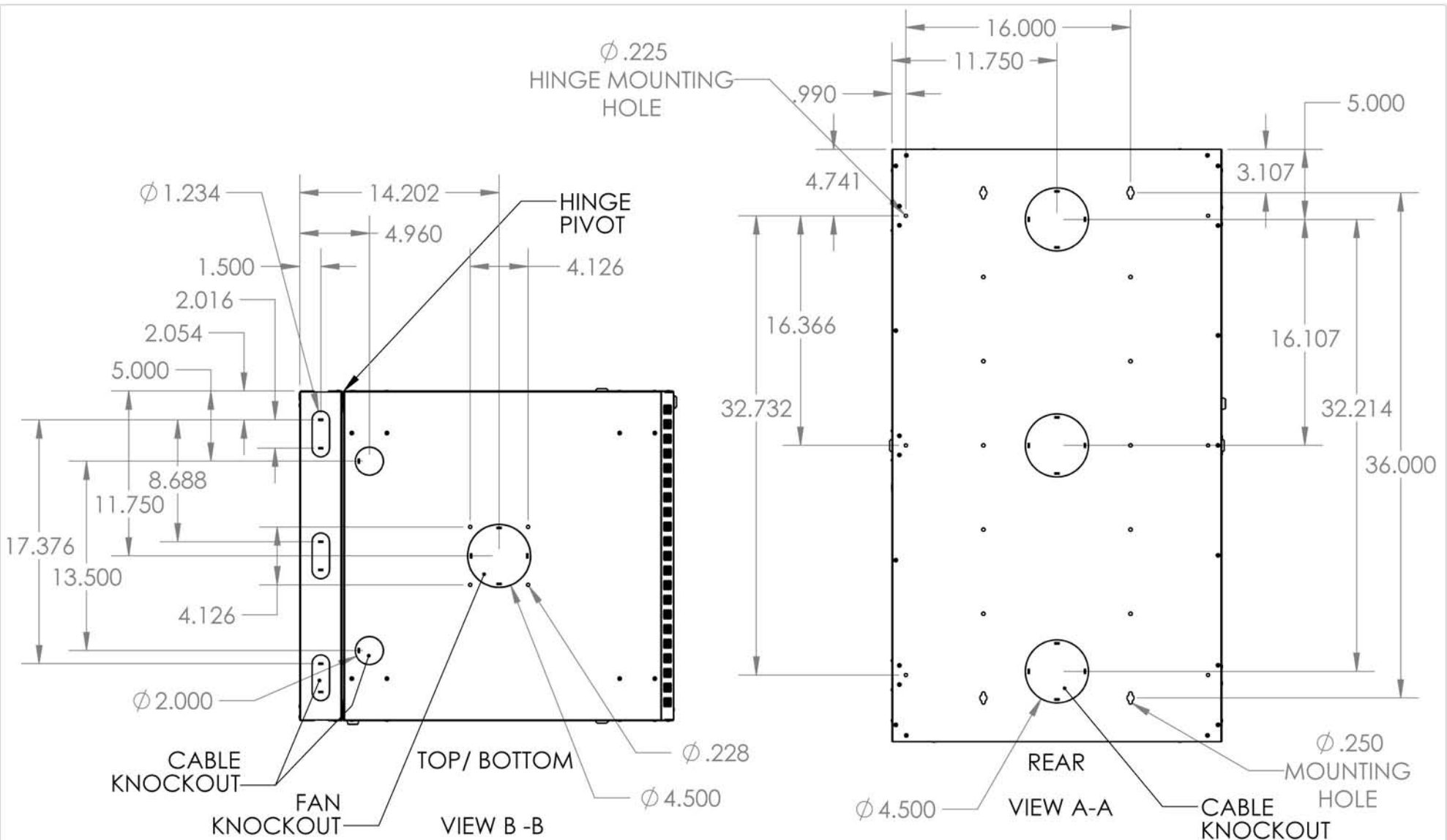
5

4

3

2

1



UNLESS OTHERWISE SPECIFIED: DIMENSIONS ARE IN INCHES TOLERANCES: FRACTIONAL $\pm 1/8$ ANGULAR: BEND $\pm 1$ DEGREE TWO PLACE DECIMAL $\pm .03$ THREE PLACE DECIMAL $\pm .01$		NAME	DATE	i-Tech Company LLC		
<p><b>WEB PRINT</b></p> <p>Surface Area</p> <p>MATERIAL</p> <p>FINISH</p> <p>NEXT ASSY      USED ON</p> <p>APPLICATION      DO NOT SCALE DRAWING</p>		DRAWN		TITLE:		
		CHECKED		22U LINIER WM SWINGOUT CABINET- GLASS DOOR		
		ENG APPR.		SIZE	DWG. NO.	REV
		MFG APPR.		<b>A</b>	<b>KH2722-SWM</b>	
		Q.A.		SCALE: 1:10	WEIGHT: 81.95	SHEET 2 OF 2
		COMMENTS:				

5

4

3

2

1