

<b>WEB PRINT</b>		UNLESS OTHERWISE SPECIFIED: DIMENSIONS ARE IN INCHES TOLERANCES: FRACTIONAL: ± 1/8 ANGULAR: BEND ± 1 DEGREE TWO PLACE DECIMAL ± .03 THREE PLACE DECIMAL ± .01		NAME	DATE	i-Tech Company LLC	
		Surface Area	MATERIAL	DRAWN		TITLE: <b>6U LINIER WM SWINGOUT CABINET- GLASS DOOR</b>	
NEXT ASSY	USED ON	FINISH	COMMENTS:	ENG APPR.		SIZE	DWG. NO.
APPLICATION		DO NOT SCALE DRAWING		MFG APPR.		<b>A</b>	<b>KH276-SWM</b>
				Q.A.		REV	
				COMMENTS:		SCALE: 1:10	WEIGHT: 41.55
						SHEET 1 OF 2	

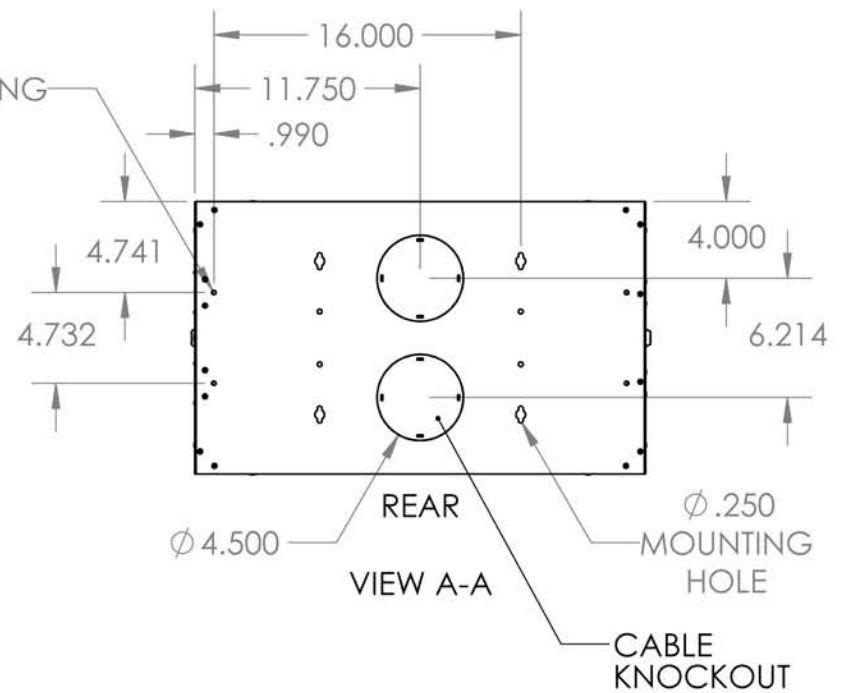
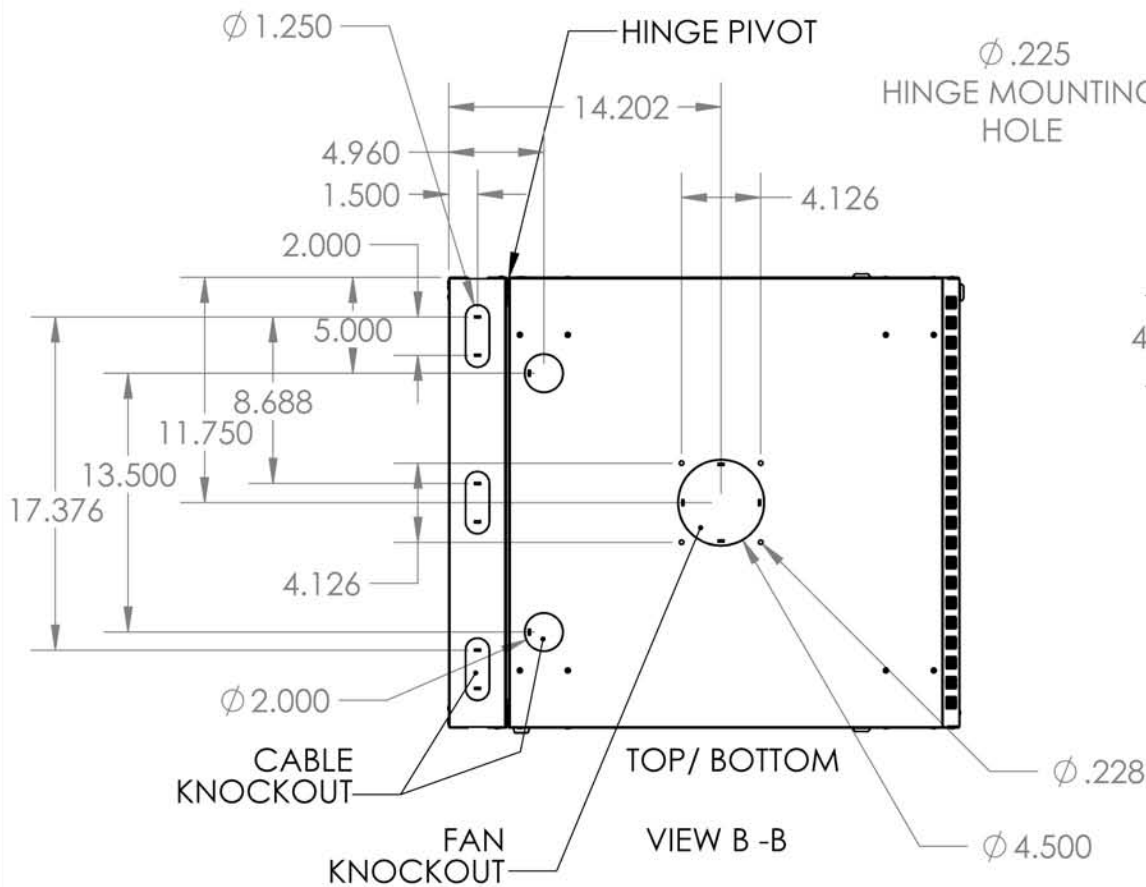
5

4

3

2

1



<b>WEB PRINT</b>		UNLESS OTHERWISE SPECIFIED: DIMENSIONS ARE IN INCHES TOLERANCES: FRACTIONAL $\pm 1/8$ ANGULAR: BEND $\pm 1$ DEGREE TWO PLACE DECIMAL $\pm .03$ THREE PLACE DECIMAL $\pm .01$		NAME	DATE	i-Tech Company LLC	
		Surface Area		DRAWN		TITLE: <b>6U LINIER WM SWINGOUT CABINET- GLASS DOOR</b>	
		MATERIAL		CHECKED			
		FINISH		ENG APPR.			
NEXT ASSY	USED ON	COMMENTS:			SIZE	DWG. NO.	REV
APPLICATION		DO NOT SCALE DRAWING			<b>A</b>	<b>KH276-SWM</b>	
					SCALE: 1:10	WEIGHT: 41.55	SHEET 2 OF 2

5

4

3

2

1